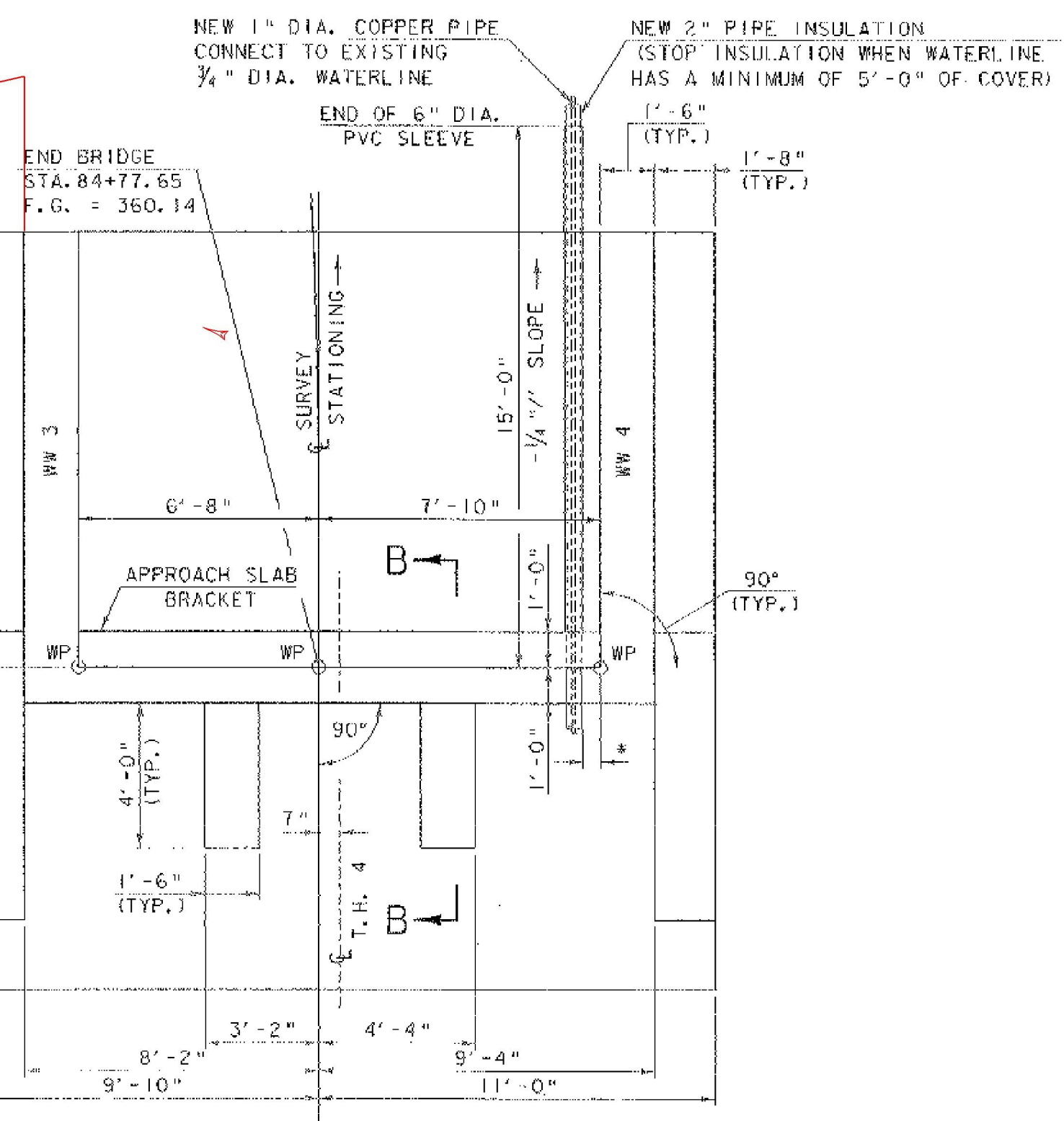


WING WALL EXTENSIONS (TYPICAL)

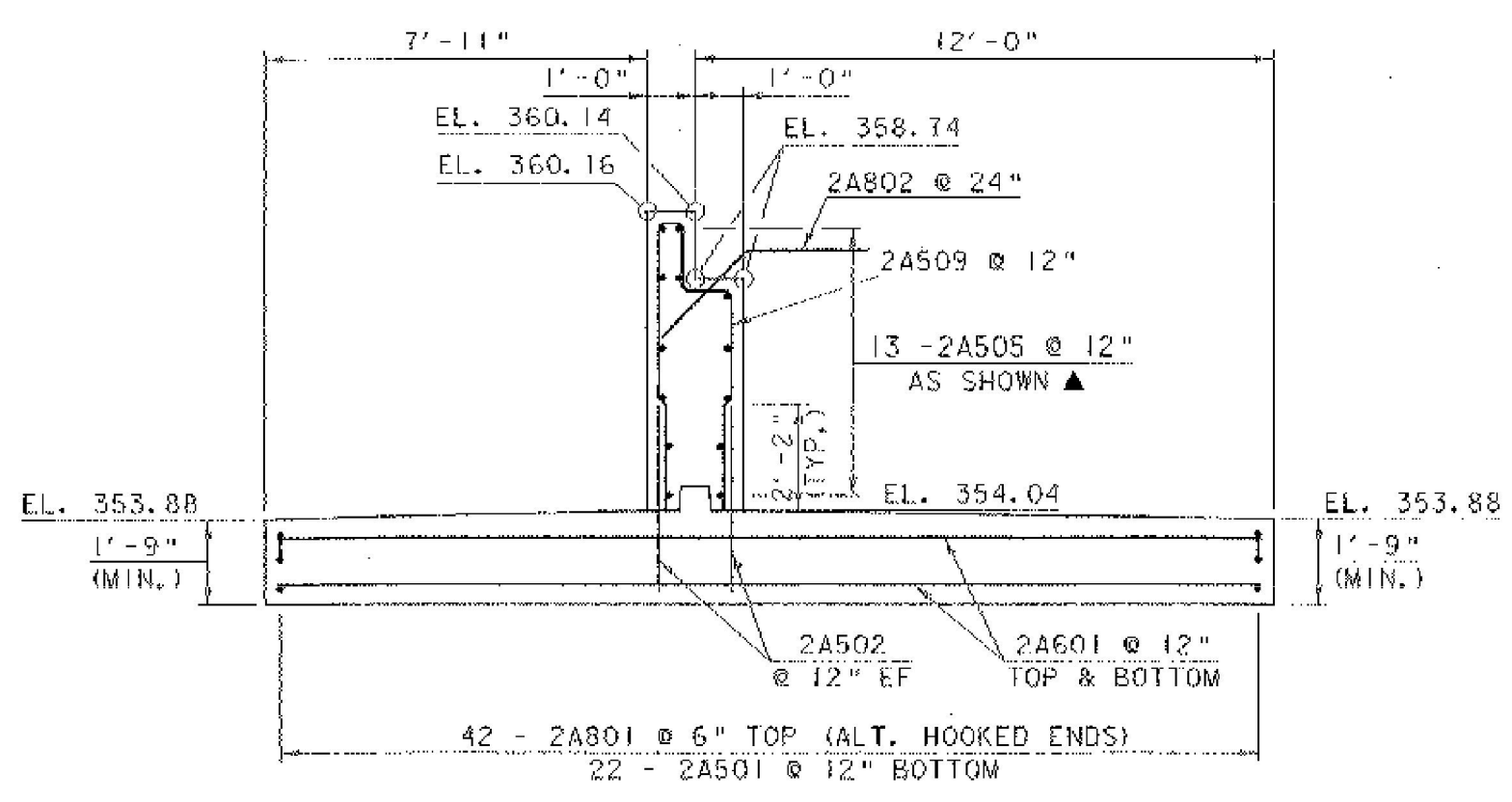


ABUTMENT NO. 2 PLAN

SCALE: 3/8" = 1'-0"

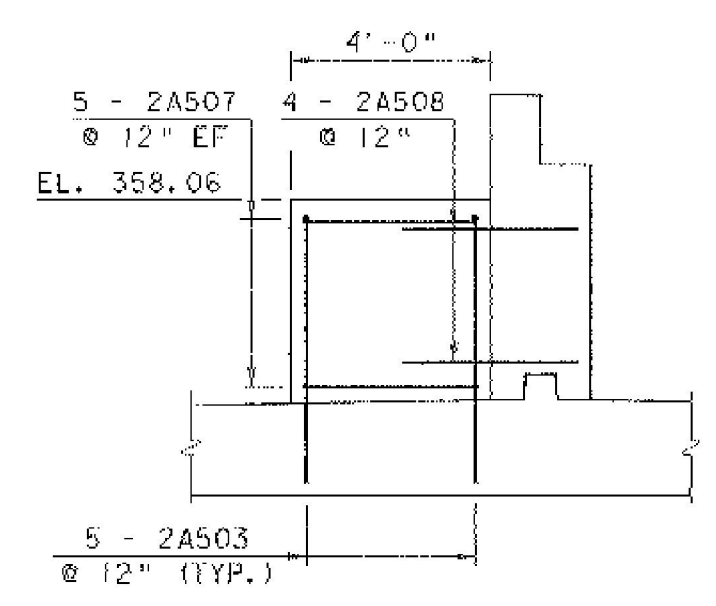
* 6" MINIMUM FROM WP TO EDGE OF 6" DIA. PVC SLEEVE THROUGH STEM

** EXACT LOCATION OF 6" DIA. PVC SLEEVE TO BE DETERMINED IN THE FIELD BY THE RESIDENT ENGINEER AND THE CONTRACTOR.



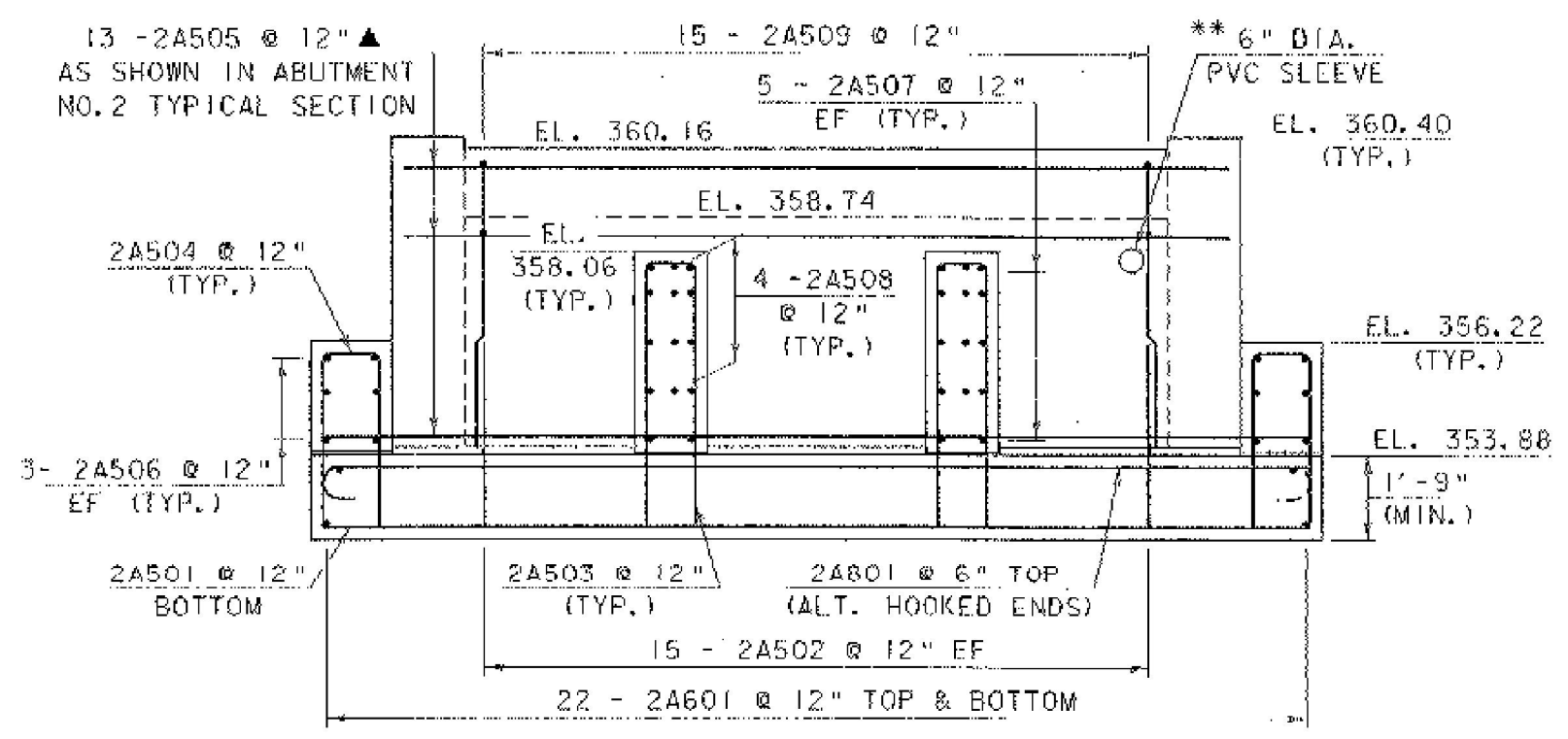
ABUTMENT NO. 2 TYPICAL SECTION

SCALE: 3/8" = 1'-0"



SECTION B-B

SCALE: 3/8" = 1'-0"



ABUTMENT NO. 2 ELEVATION

SCALE: 3/8" = 1'-0"

NOTE:

- NF = NEAR FACE
- FF = FAR FACE
- EF = EACH FACE
- ▲ = CUT TO FIT IN FIELD
- 3" CLR. UNLESS OTHERWISE SPECIFIED ON THE PLANS.

ABUTMENT NO. 2 DETAILS

PROJECT NAME:	BRANDON	PLOT DATE:	16-MAY-2002
PROJECT NUMBER:	BHZ 1443 (22)	DRAWN BY:	G. ROY
FILE NAME:	87137\Structures\sj37ob2.i	CHECKED BY:	T. SUMNER
PROJECT MANAGER:	R. R. WHITCOMB	SHEET	29 OF 51
DESIGNED BY:	T. SUMNER		