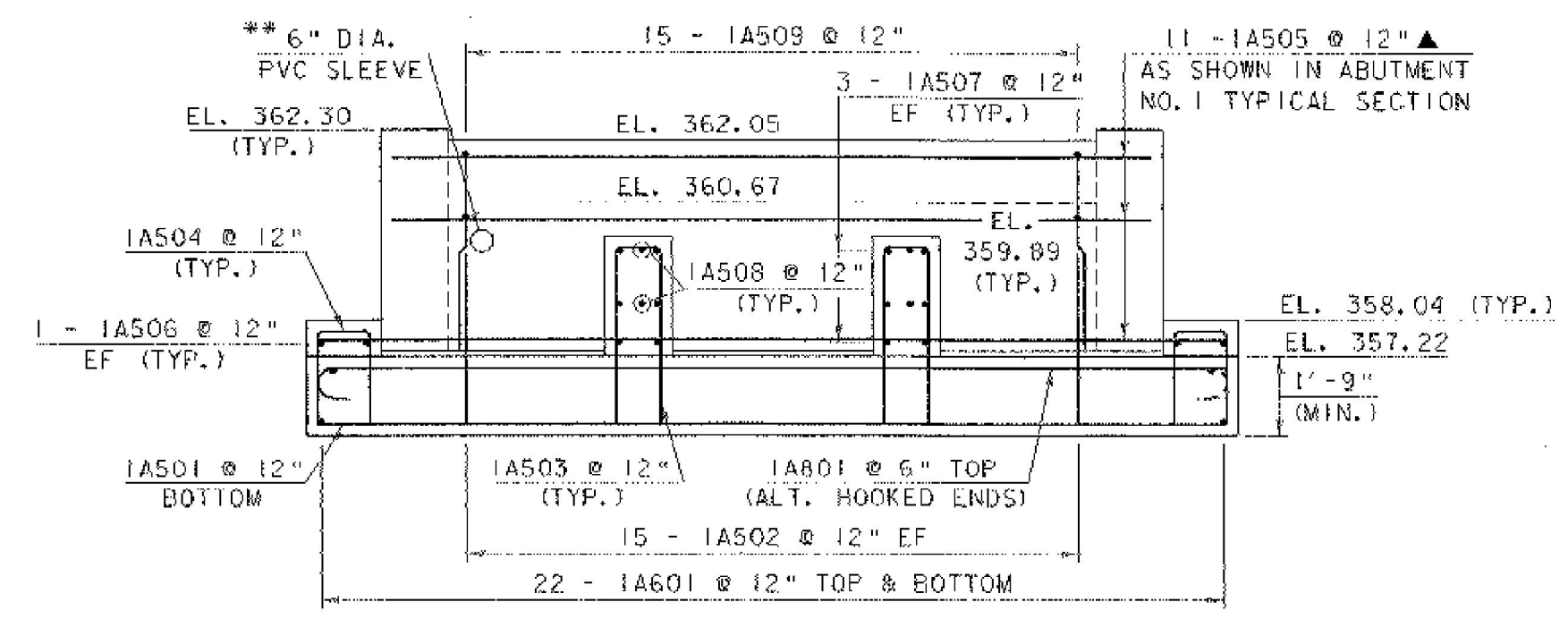


ABUTMENT NO. 1 PLAN

SCALE: 3/8" = 1'-0"

* 6" MINIMUM FROM WP TO EDGE OF 6" DIA. PVC SLEEVE THROUGH STEM

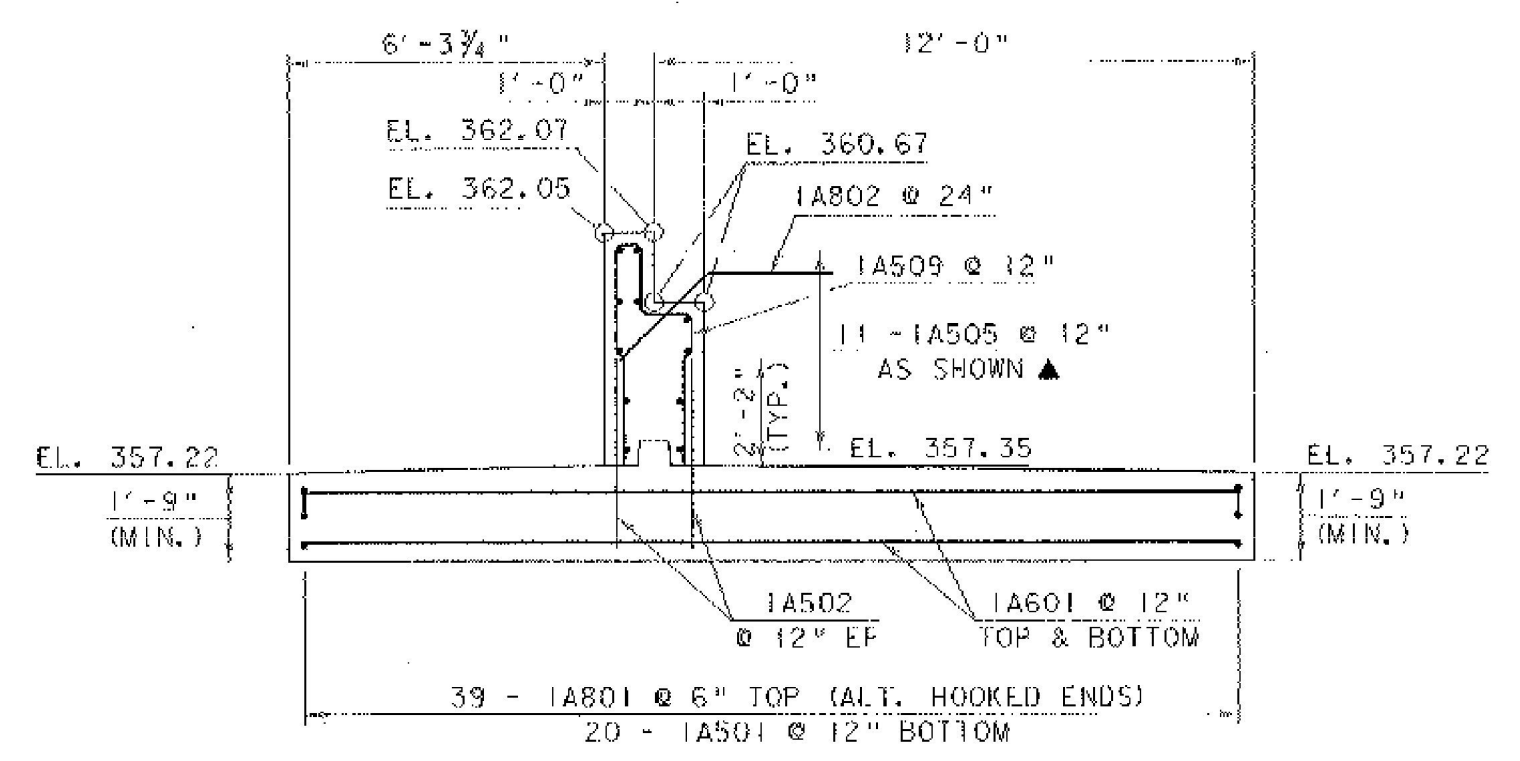
** EXACT LOCATION OF 6" DIA. PVC SLEEVE TO BE DETERMINED IN THE FIELD BY THE RESIDENT ENGINEER AND THE CONTRACTOR.



ABUTMENT NO. 1 ELEVATION

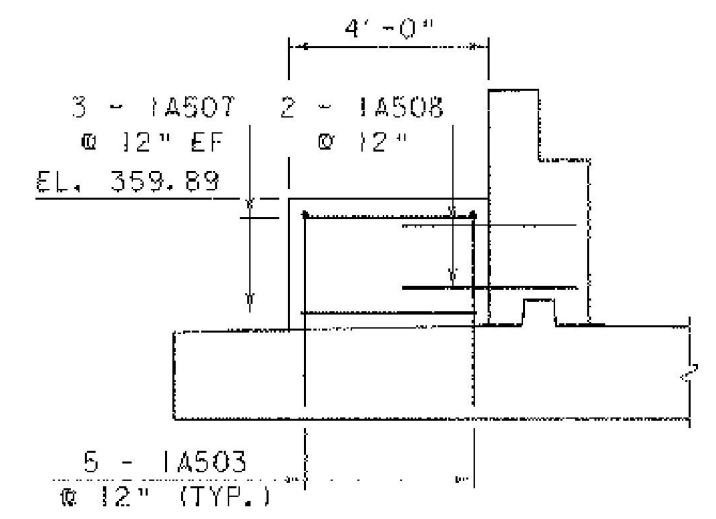
SCALE: 3/8" = 1'-0"

WING WALL EXTENSIONS TAPERING TO PAVEMENT (TYPICAL) ALL ABUTMENTS



ABUTMENT NO. 1 TYPICAL SECTION

SCALE: 3/8" = 1'-0"



SECTION A-A

SCALE: 3/8" = 1'-0"

NOTE:

- NF = NEAR FACE
- FF = FAR FACE
- EF = EACH FACE
- ▲ = CUT TO FIT IN FIELD
- 3" CLR. UNLESS OTHERWISE SPECIFIED ON THE PLANS.

ABUTMENT NO. 1 DETAILS

PROJECT NAME:	BRANDON
PROJECT NUMBER:	BHZ 1443 (22)
FILE NAME:	87#37\Structures\137tbl1
PROJECT MANAGER:	R. R. WHITCOMB
DESIGNED BY:	T. SUMNER
PLOT DATE:	16-MAY-2002
DRAWN BY:	G. ROY
CHECKED BY:	T. SUMNER
SHEET	28 OF 51