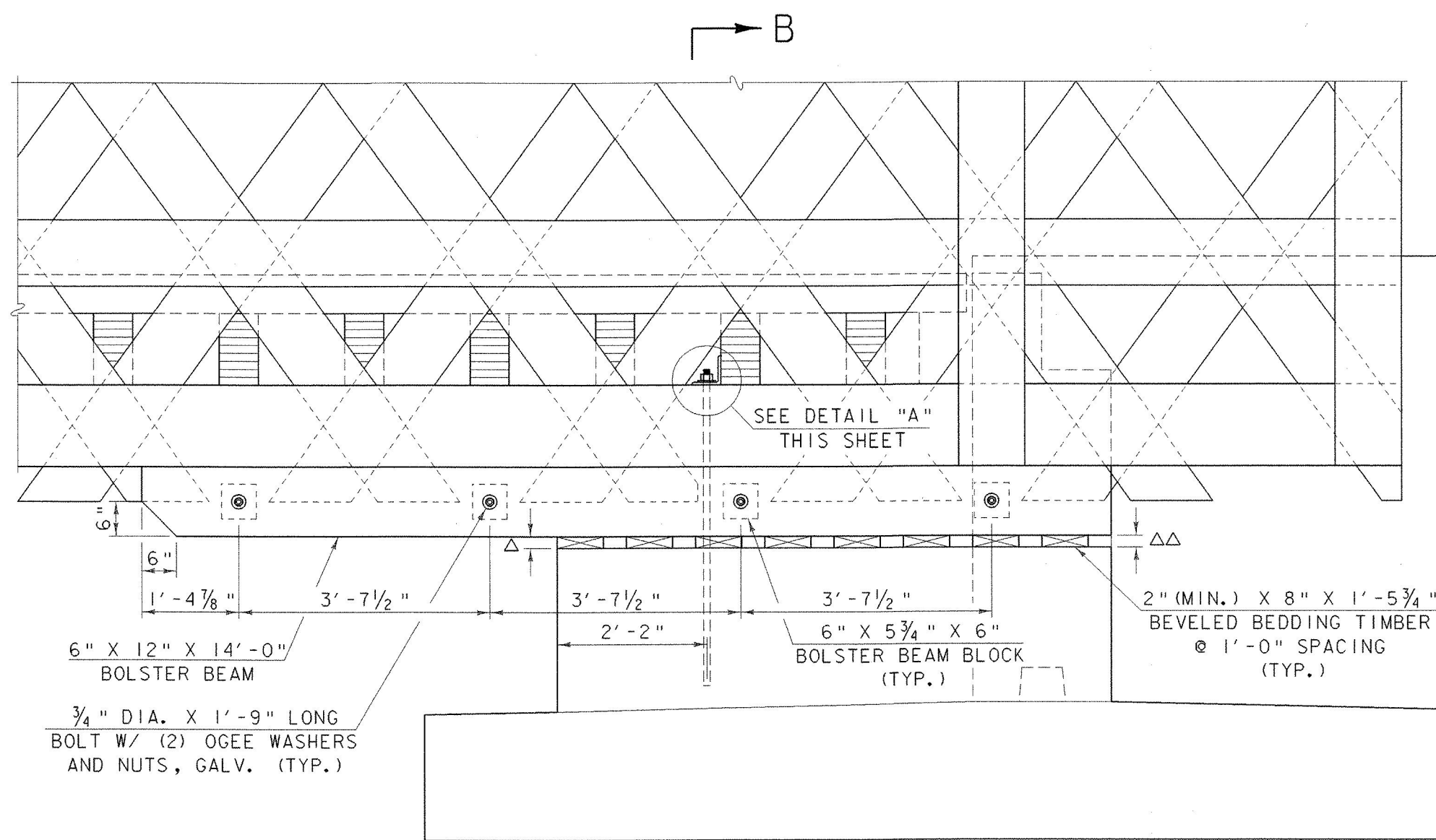


SECTION B-B
SCALE: 3/4" = 1'-0"

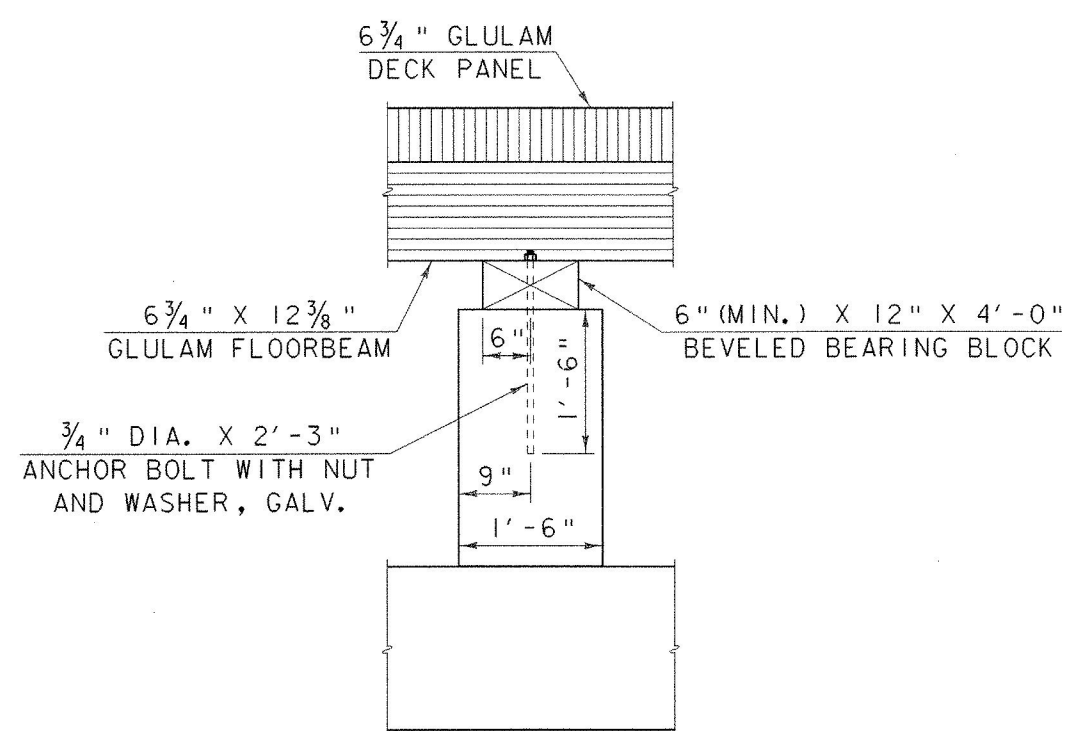
NOTE:

THE CONTRACTOR MAY SUBMIT DETAILS FOR AN ALTERNATIVE ANCHORING SYSTEM TO THE ENGINEER FOR APPROVAL.



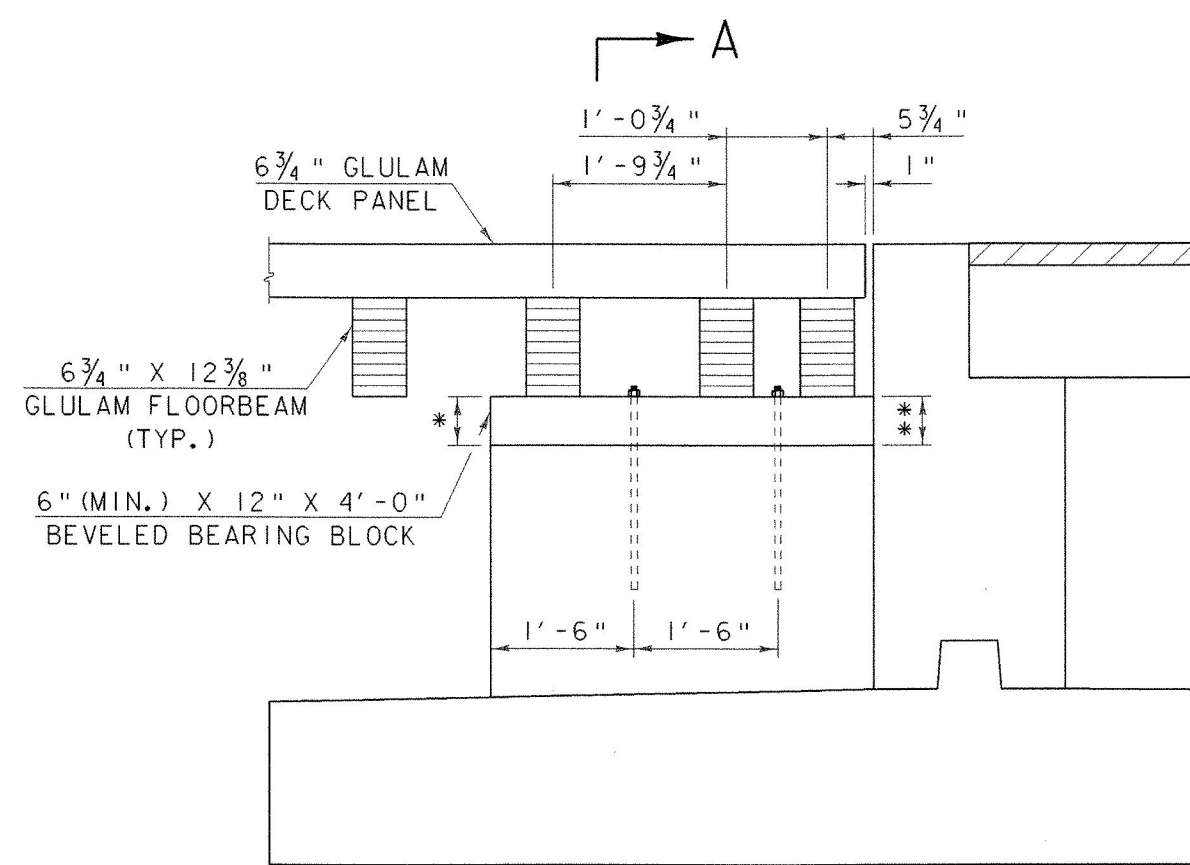
BOLSTER BLOCK DETAIL
SCALE: 3/4" = 1'-0"

△ ABUTMENT NO. 1: 2"
ABUTMENT NO. 2: 3 1/2"
△△ ABUTMENT NO. 1: 3 1/2"
ABUTMENT NO. 2: 2"



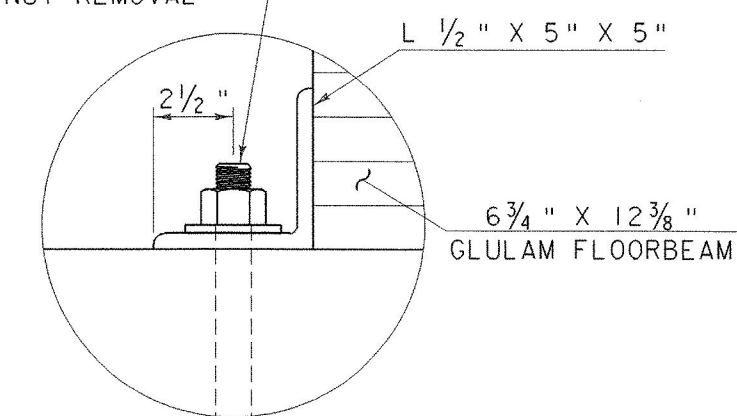
SECTION A-A
SCALE: 3/4" = 1'-0"

*ABUTMENT NO. 1: 6"
ABUTMENT NO. 2: 6 3/4"
**ABUTMENT NO. 1: 6 3/4"
ABUTMENT NO. 2: 6"



BEARING BLOCK DETAIL
SCALE: 3/4" = 1'-0"

1/8" DIA. ANCHOR BOLT WITH NUT AND WASHER, GALV. SNUG TIGHT AND THREADS BURRED TO PREVENT NUT REMOVAL



DETAIL "A"
SCALE: 3" = 1'-0"

BEARING DETAILS

PROJECT NAME:	BRANDON	PLOT DATE:	16-MAY-2002
PROJECT NUMBER:	BHZ 1443 (22)	DRAWN BY:	G. ROY
FILE NAME:	87j137\Structures\sj137brg.i	CHECKED BY:	T. SUMNER
PROJECT MANAGER:	R. R. WHITCOMB	SHEET	27 OF 51
DESIGNED BY:	T. SUMNER		