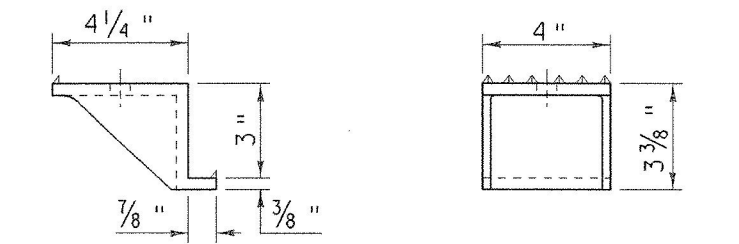
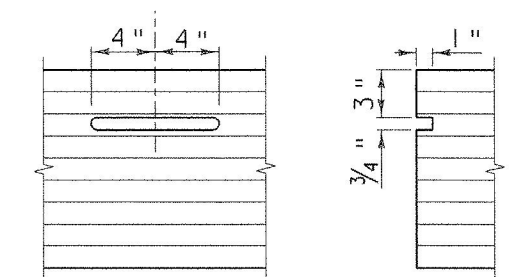


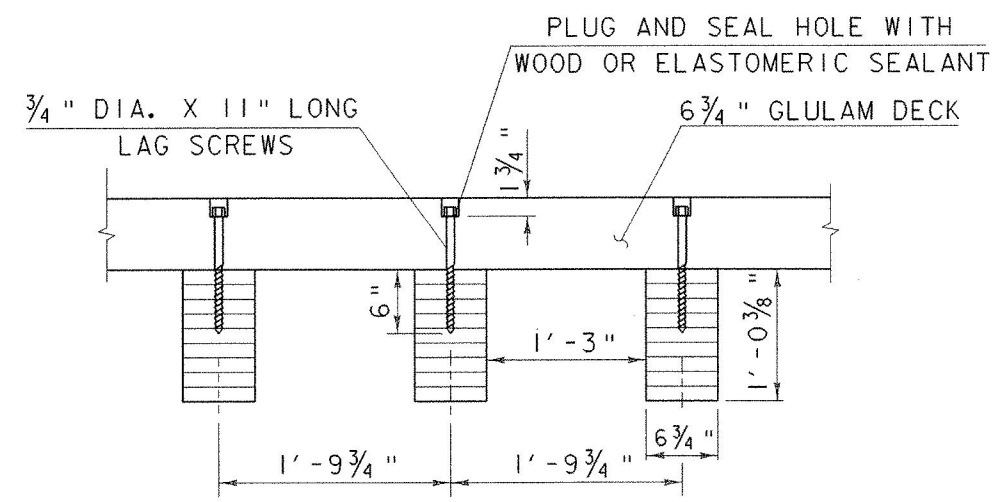
**DECK AND CURB FRAMING PLAN**  
SCALE: 3/8" = 1'-0"



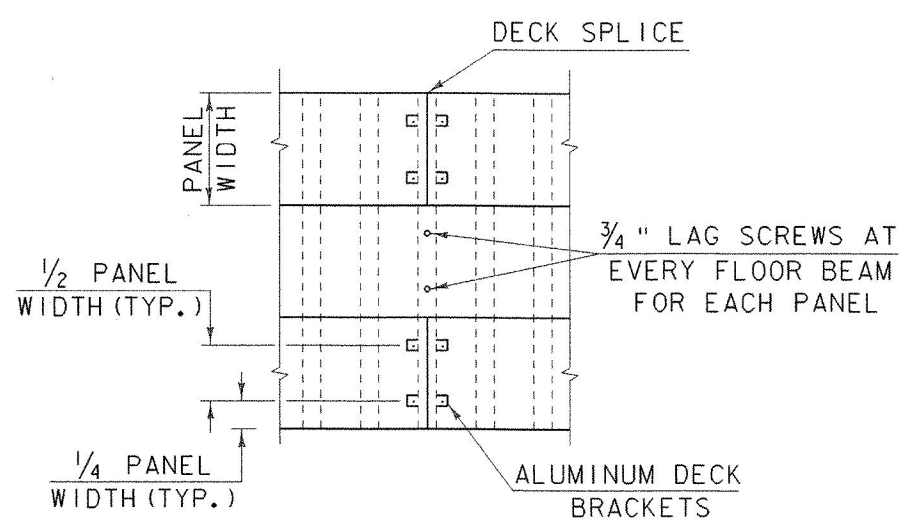
**ALUMINUM DECK BRACKET**  
SCALE: 3" = 1'-0"



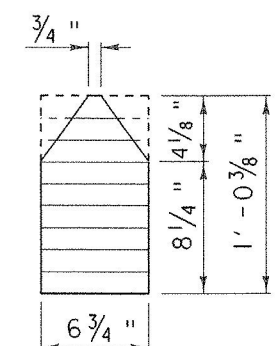
**FLOOR BEAM DAP DETAIL**  
SCALE: 3" = 1'-0"



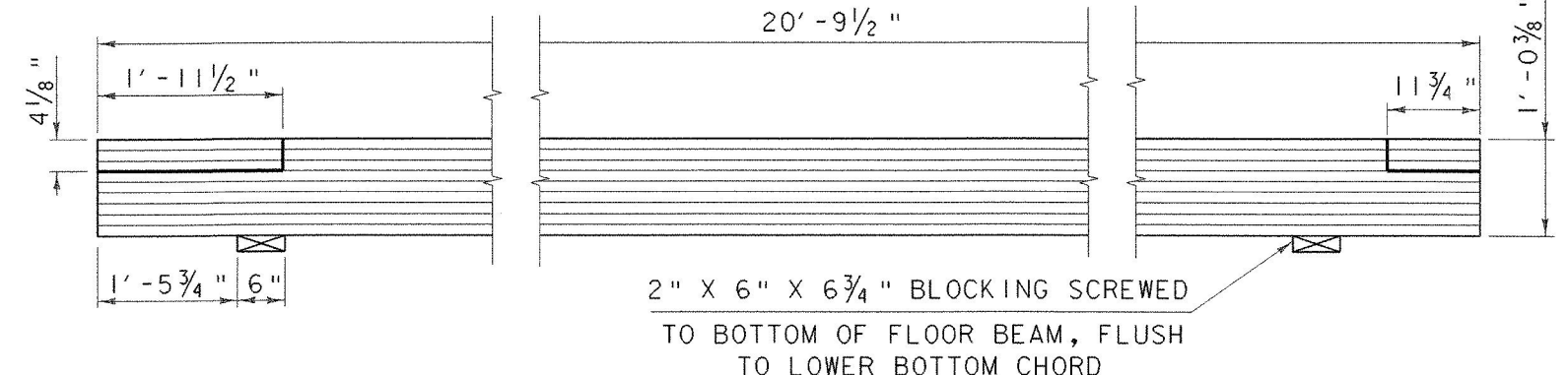
**SECTION A-A**  
GLULAM DECK  
SCALE: 1" = 1'-0"



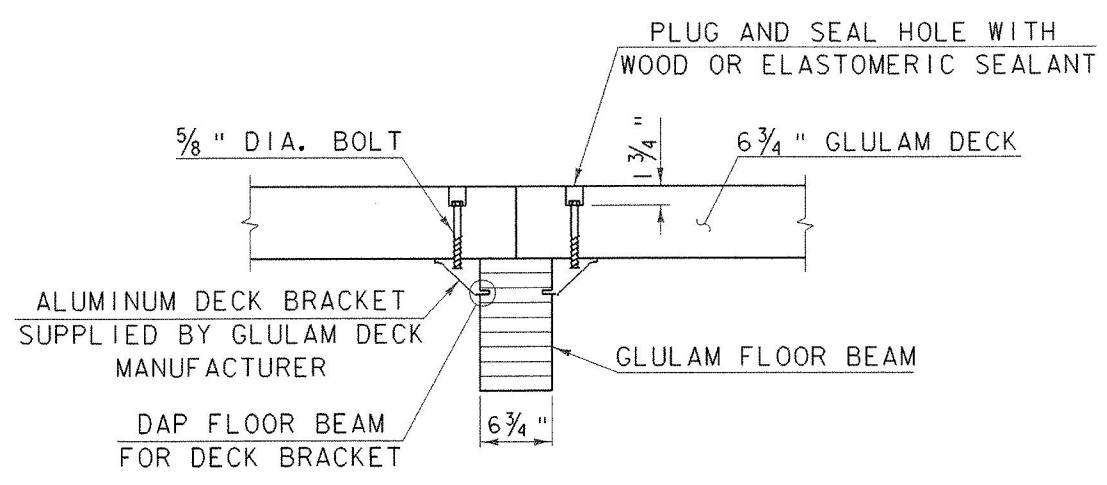
**DECK PANEL SPLICE DETAIL**  
SCALE: 1/4" = 1'-0"



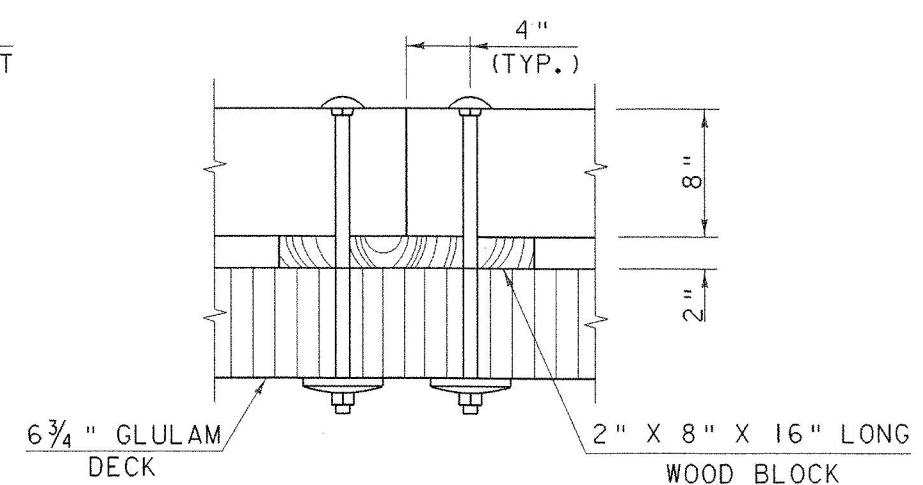
**NOTCHED FLOOR BEAM**  
END SECTION  
SCALE: 3" = 1'-0"



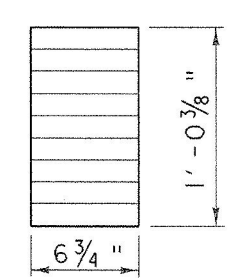
**NOTCHED FLOOR BEAM**  
(32 REQUIRED)  
SCALE: 3/4" = 1'-0"



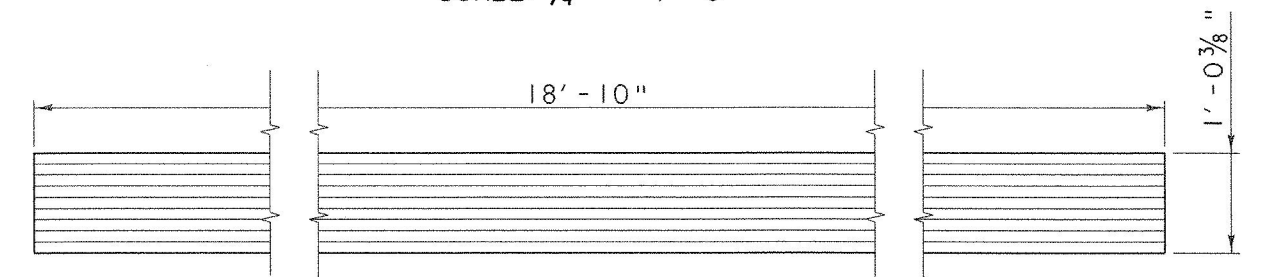
**SECTION B-B**  
PANEL SPLICE AT FLOOR BEAM  
SCALE: 1" = 1'-0"



**CURB SPLICE**  
SCALE: 1 1/2" = 1'-0"

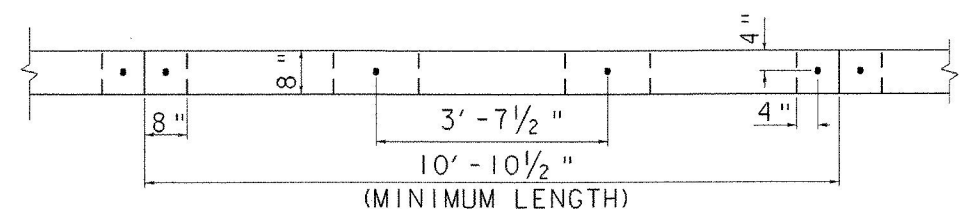


**UNNOTCHED FLOOR BEAM**  
END SECTION  
SCALE: 3" = 1'-0"



**UNNOTCHED FLOOR BEAM**  
(35 REQUIRED)  
SCALE: 3/4" = 1'-0"

NOTE:  
LONG FLOOR BEAMS WILL BE PLACED WITH LONG NOTCHES ALTERNATING IN PLAN VIEW.



**CURB SPLICE PLAN DETAIL**  
SCALE: 1/2" = 1'-0"

**DECK FRAMING PLAN**

NOTE:  
DAP TO BE DONE BY GLULAM DECK MANUFACTURER TO INSURE PROPER DECK TO FLOOR BEAM CONNECTION

PROJECT NAME:	BRANDON	PLOT DATE:	16-MAY-2002
PROJECT NUMBER:	BHZ 1443 (22)	DRAWN BY:	B. MAURICE
FILE NAME:	87137\structures\s137dfp.i	CHECKED BY:	T. SUMNER
PROJECT MANAGER:	R. R. WHITCOMB	SHEET	25 OF 51
DESIGNED BY:	T. SUMNER		