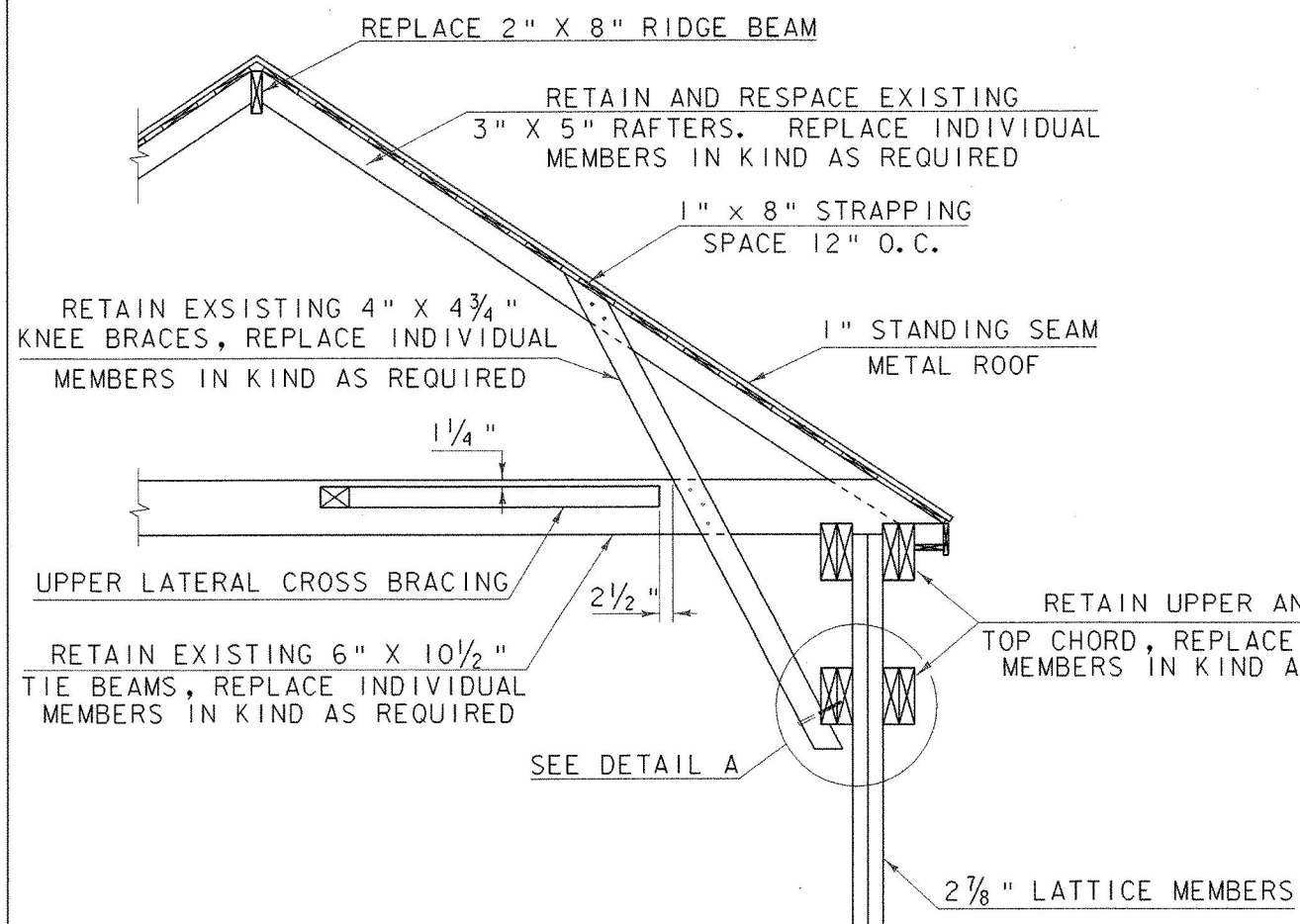
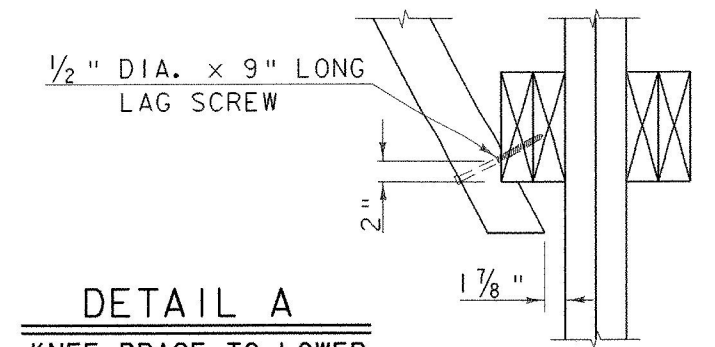


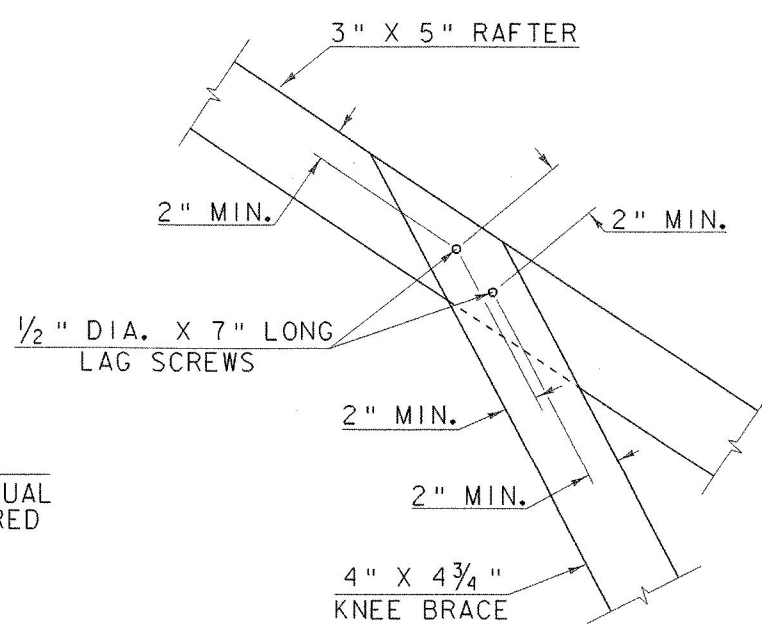
ROOF FRAMING PLAN
SCALE: 3/16" = 1'-0"



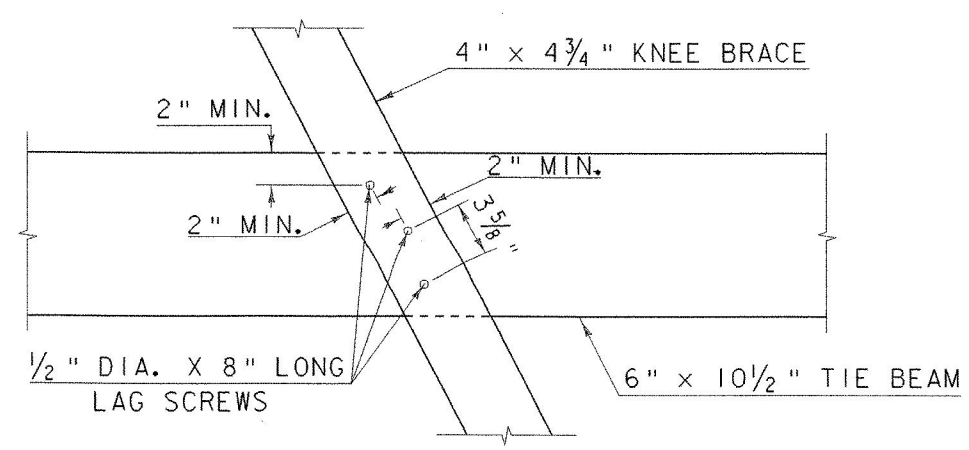
SECTION A-A
SCALE: 1/2" = 1'-0"



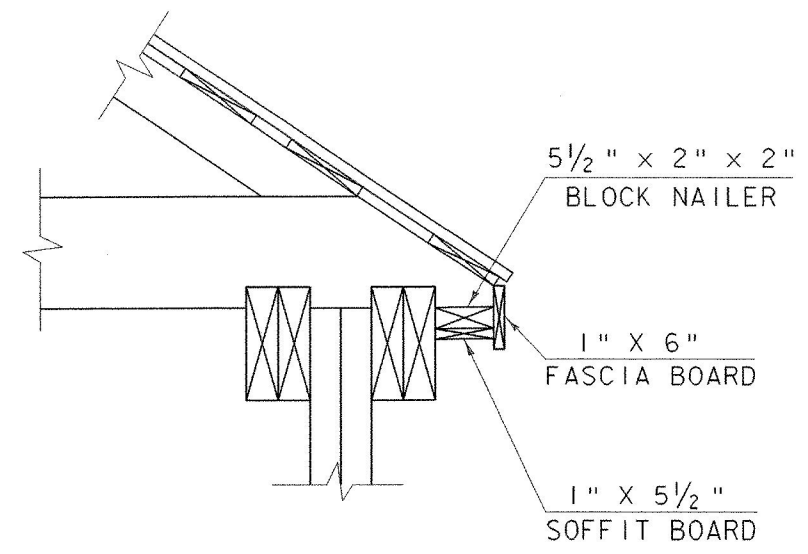
DETAIL A
KNEE BRACE TO LOWER TOP CHORD CONNECTION
SCALE: 1" = 1'-0"



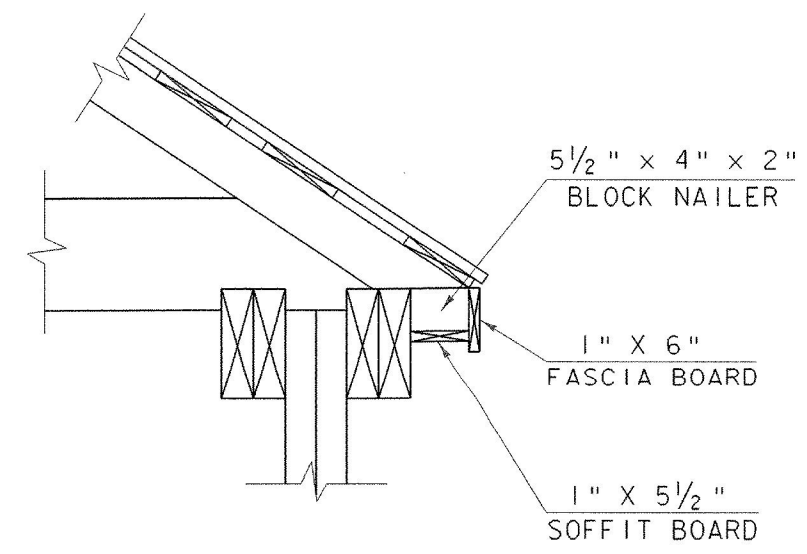
KNEE BRACE TO RAFTER CONNECTION
SCALE: 1 1/2" = 1'-0"



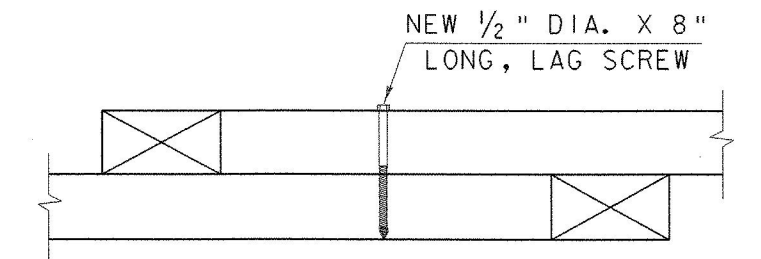
KNEE BRACE TO TIE BEAM CONNECTION
SCALE: 1 1/2" = 1'-0"



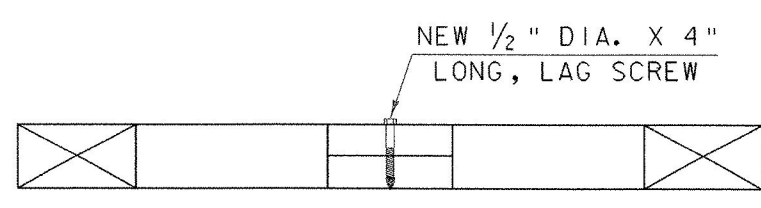
SECTION B-B
CONNECTION AT CROSS TIE BEAM
SCALE: 1" = 1'-0"



SECTION C-C
CONNECTION AT INTERMEDIATE RAFTER
SCALE: 1" = 1'-0"



SECTION D-D
SCALE: 1 1/2" = 1'-0"



SECTION E-E
SCALE: 1 1/2" = 1'-0"

- NOTES:**
- UNNOTCHED CONNECTION IN SECTION D-D ALTERNATES BY BAY WITH NOTCHED CONNECTION SHOWN IN SECTION E-E
 - RETAIN EXISTING 4" X 6" UPPER LATERAL CROSS BRACING, REPLACE INDIVIDUAL MEMBERS IN KIND AS REQUIRED

ROOF FRAMING PLAN

PROJECT NAME:	BRANDON	FILE NAME:	87J37\Structures\sjj37rfp.i	PLOT DATE:	16-MAY-2002
PROJECT NUMBER:	BHZ 1443 (22)	PROJECT MANAGER:	R. R. WHITCOMB	DRAWN BY:	B. MAURICE
		DESIGNED BY:	T. SUMNER	CHECKED BY:	T. SUMNER
				SHEET	21 OF 51