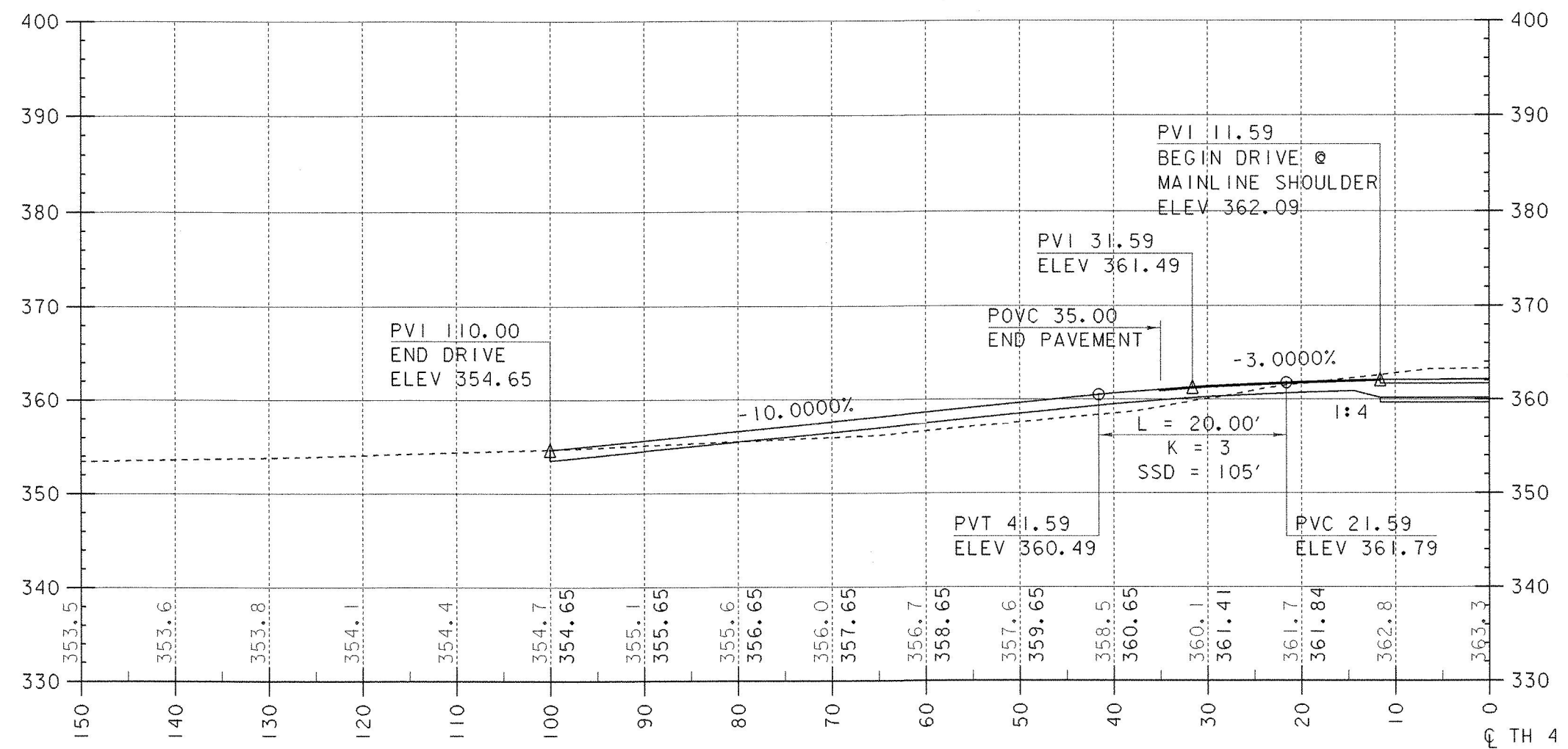
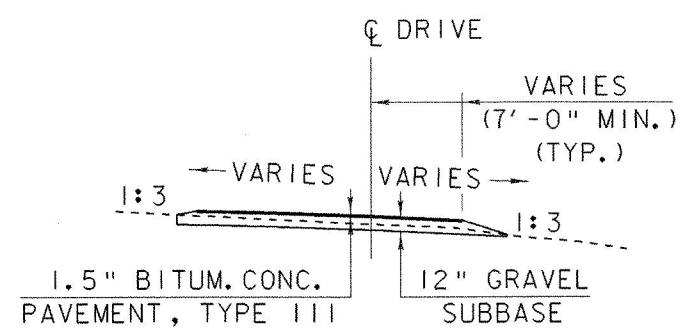


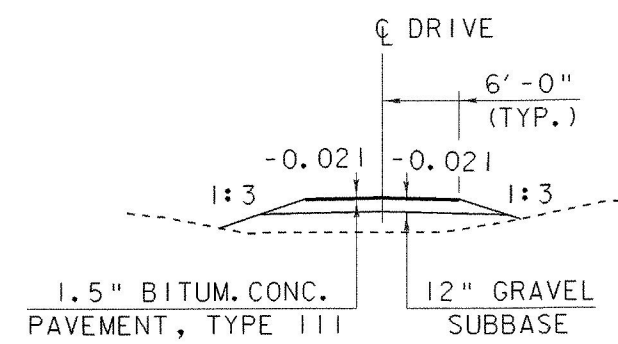
RESIDENTIAL DRIVE PROFILE
@ STA. 82+45 LT



FIELD DRIVE PROFILE
@ STA. 82+55 LT



RESIDENTIAL DRIVE SECTION
@ STA. 82+45 LT



FIELD DRIVE SECTION
@ STA. 82+55 LT

DRIVE PROFILES & TYPICAL SECTIONS

PROJECT NAME:	BRANDON
PROJECT NUMBER:	BHZ 1443 (22)
FILE NAME:	87J37\Structures\sj37drv.i
PROJECT MANAGER:	R. R. WHITCOMB
DESIGNED BY:	T. SUMNER
PLOT DATE:	16-MAY-2002
DRAWN BY:	G. ROY
CHECKED BY:	T. SUMNER
SHEET	14 OF 51