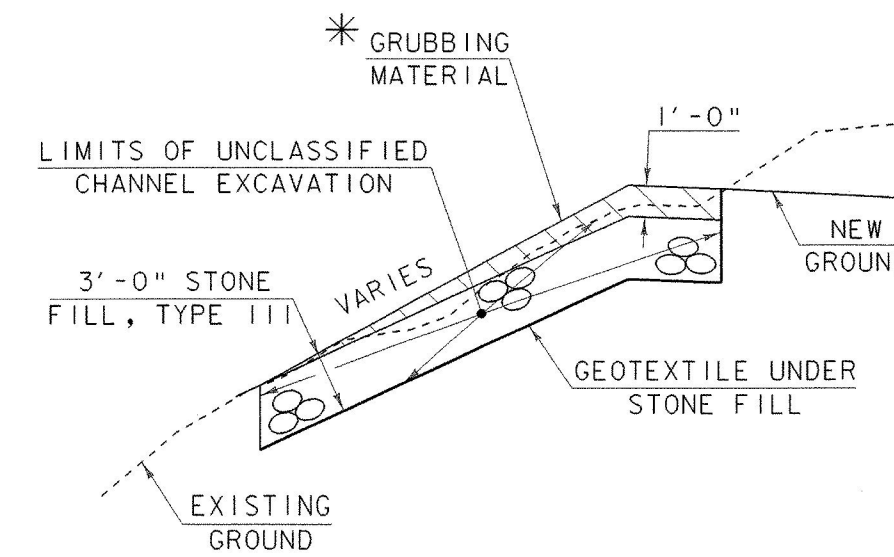


GUARDRAIL NO GUARDRAIL
TYPICAL ROADWAY SECTION

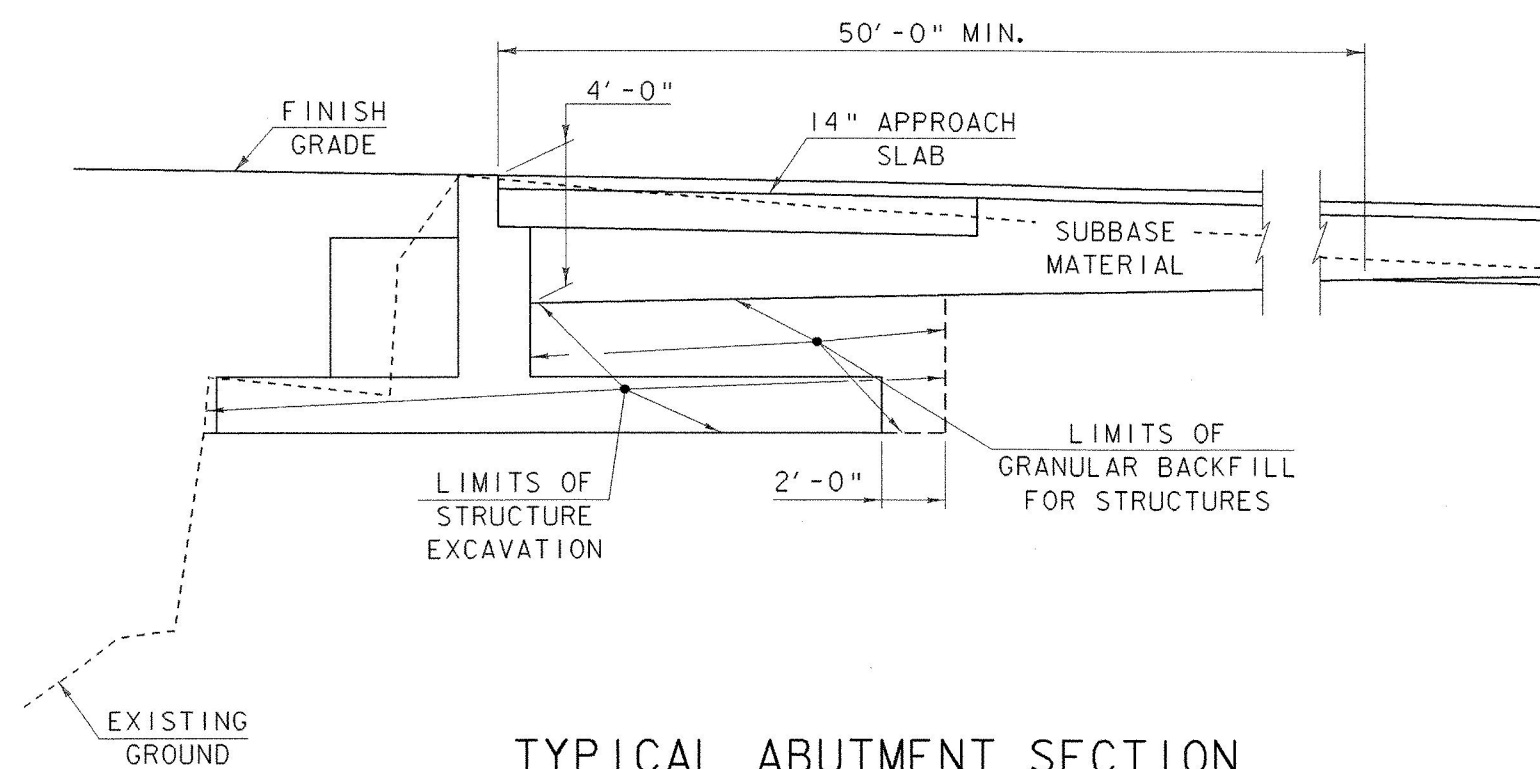
SCALE 1/4" = 1'-0"
0 2 4 6



TYPICAL CHANNEL SECTION

NOT TO SCALE

* GRUBBING MATERIAL SHALL NOT BE PLACED ON THE STONE FILL IN THE AREA UNDER THE BRIDGE. WHENEVER CHANNEL SLOPE INTERSECTS ROADWAY SUBBASE, GRUBBING MATERIAL SHALL BEGIN AT THE BOTTOM OF SUBBASE.



TYPICAL ABUTMENT SECTION

NOT TO SCALE

MATERIAL ITEM	TOLERANCE
PAVEMENT	± 1/4" TOTAL THICKNESS
SUBBASE	± 1"
SAND BORROW	± 1"

PROJECT TYPICAL SECTIONS

PROJECT NAME:	BRANDON	PLOT DATE:	16-MAY-2002
PROJECT NUMBER:	BHZ 1443 (22)	DRAWN BY:	G. ROY
FILE NAME:	87J37\Structures\sj137p12.i	DESIGNED BY:	T. SUMNER
PROJECT MANAGER:	R. R. WHITCOMB	CHECKED BY:	T. SUMNER
		SHEET	3 OF 51