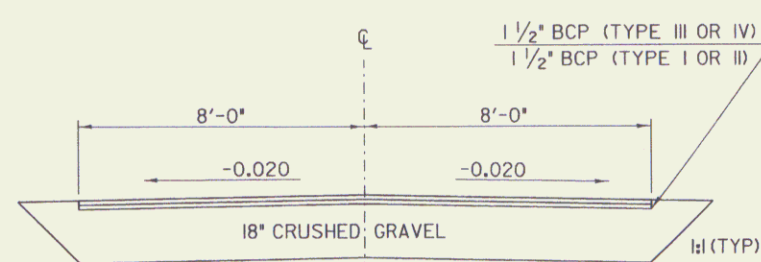
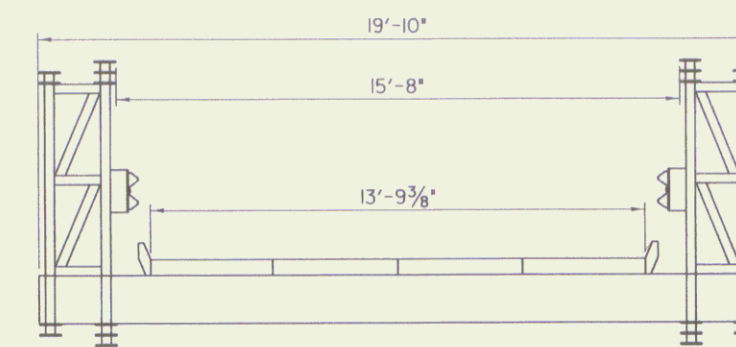


DETOUR TYPICAL

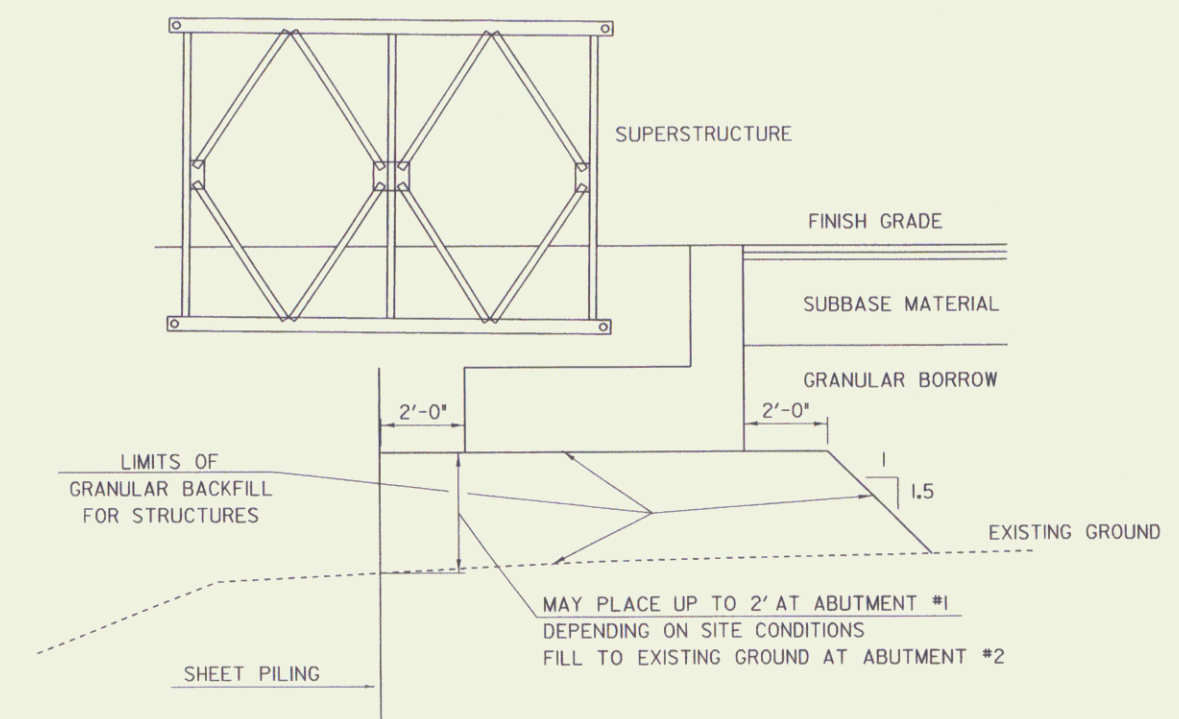


TH58 TYPICAL

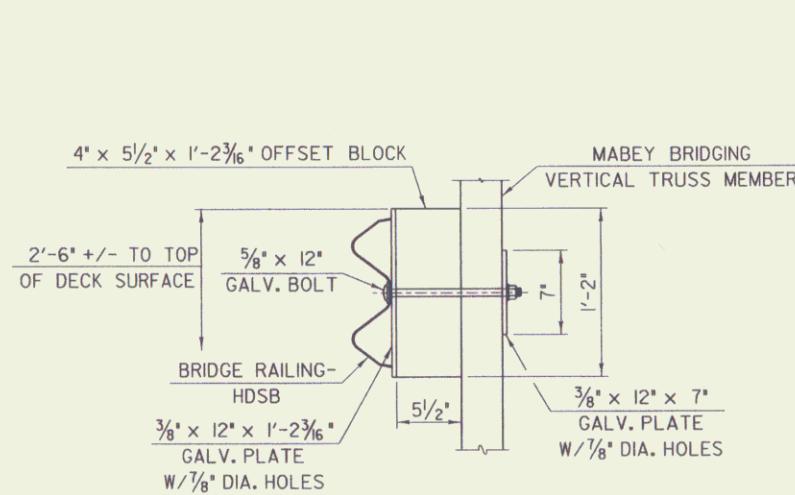
MATERIAL ITEM	TOLERANCE
PAVEMENT	± 1/4" TOTAL THICKNESS
AGGREGATE SURFACE COURSE	± 1/2"
BASE COURSE	± 1/2"
SUBBASE	± 1"
SAND BORROW	± 1"
GRANULAR BORROW	± 1"



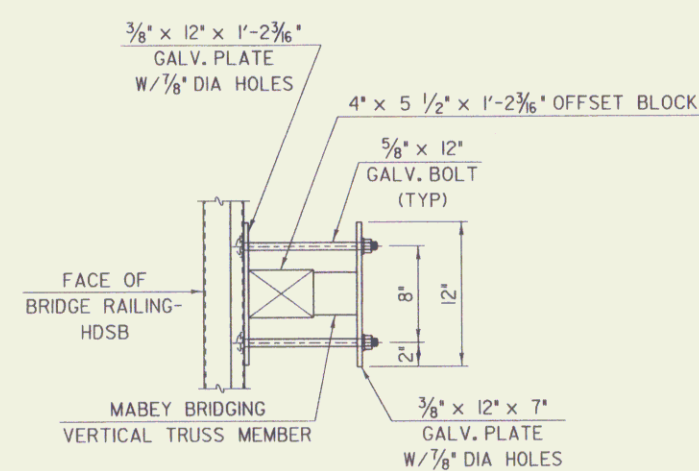
BRIDGE TYPICAL



TYPICAL ABUTMENT SECTION
(NOT TO SCALE)



ELEVATION



PLAN

RAIL ATTACHMENT DETAILS

**TYPICAL SECTIONS
& RAIL DETAILS**

SCALE 3/8" = 1'-0"
1 0 1 2 3 4

PROJECT NAME: BRIDGEWATER
PROJECT NUMBER: BRS 0149(4)

FILE NAME: 86e062/se062typ.dgn
PROJECT LEADER: C.S. KELLER
DESIGNED BY: T. FILLBACH
se062typ.j

PLOT DATE: 05-OCT-2004
DRAWN BY: STR 5
CHECKED BY: T. SUMNER
R.O.W. SHEET 2 OF 11 SHEETS