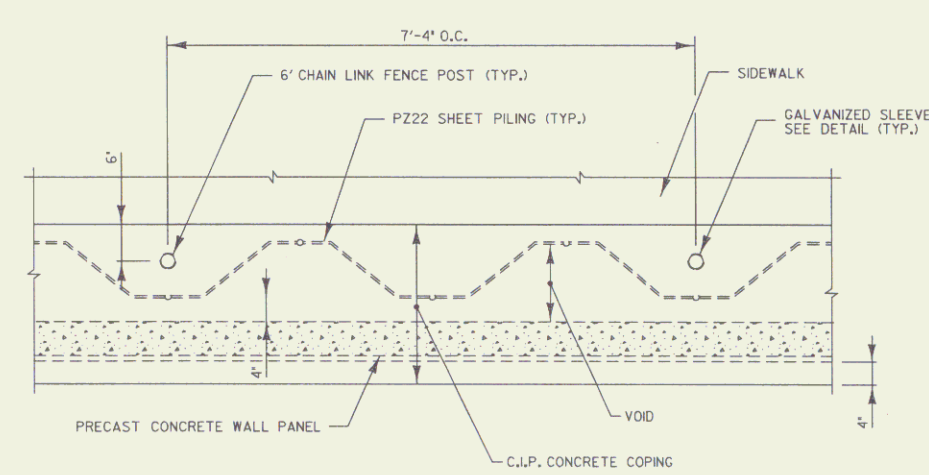
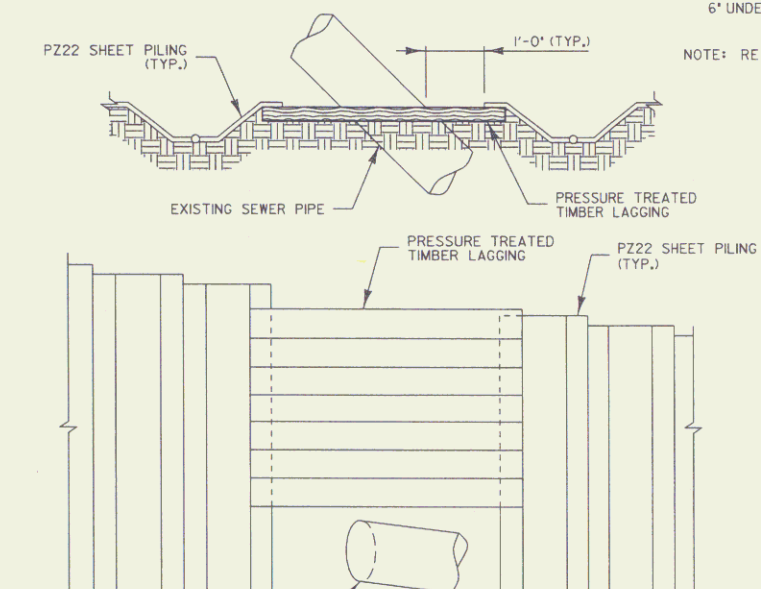


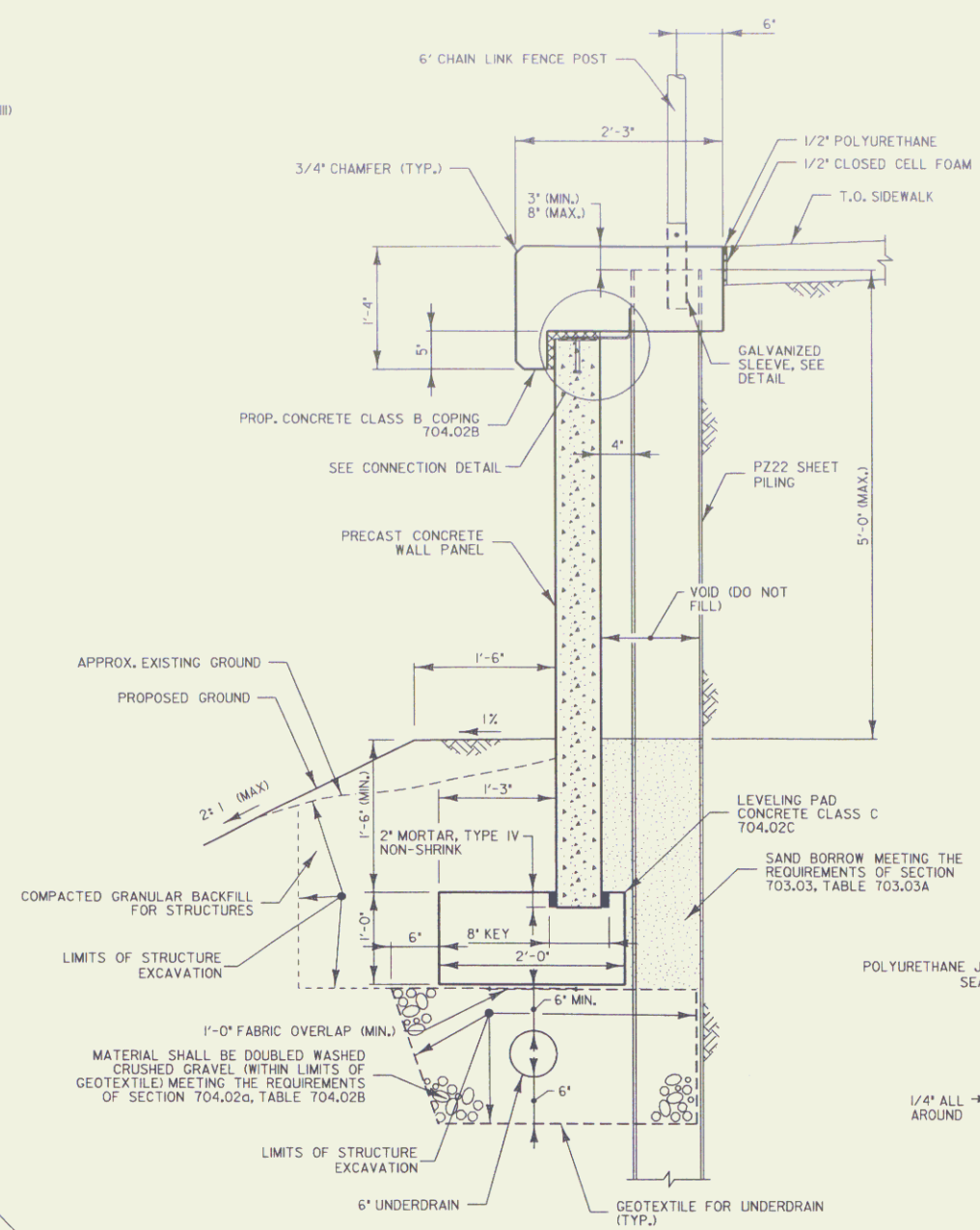
TYPICAL ELEVATION
SCALE: 3/4" = 1'



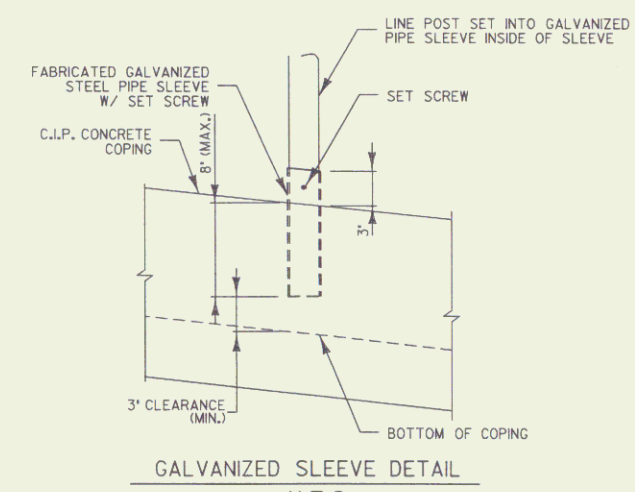
TYPICAL TOP OF COPING PLAN
SCALE: 3/4" = 1'



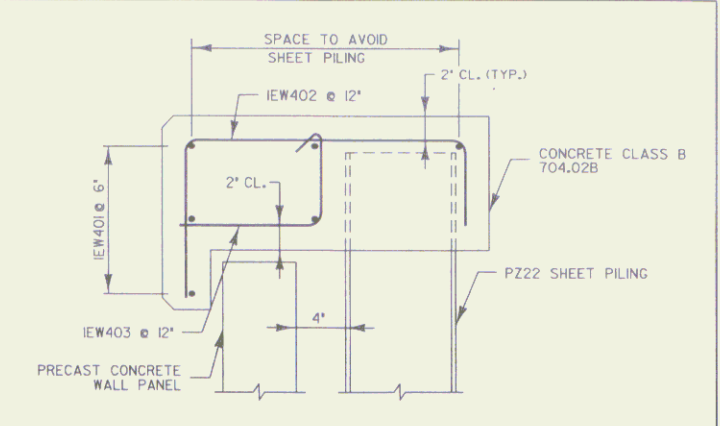
SEWER PIPE CROSSING DETAIL
N.T.S.



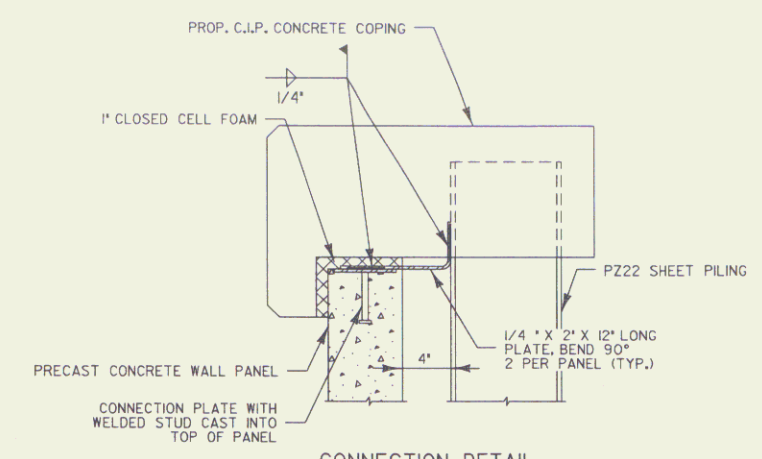
SECTION A-A
SCALE: 1" = 1'



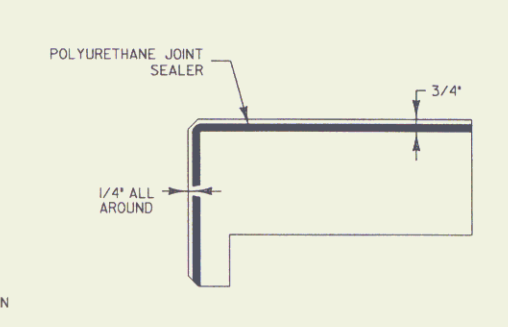
GALVANIZED SLEEVE DETAIL
N.T.S.



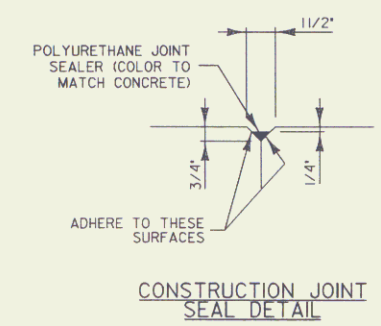
COPING REINFORCING DETAIL
SCALE: 1 1/2" = 1'



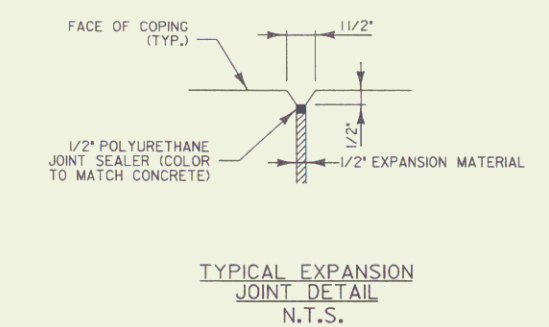
CONNECTION DETAIL
SCALE: 1 1/2" = 1'



TYPICAL CONSTRUCTION JOINT DETAIL
N.T.S.



CONSTRUCTION JOINT SEAL DETAIL
N.T.S.



TYPICAL EXPANSION JOINT DETAIL
N.T.S.

BARNES AVENUE SHEETING
RETAINING WALL SHEET 2

| | | | |
|-----------------|------------------|-------------|-------------|
| PROJECT NAME: | HARTFORD | PLOT DATE: | 23-FEB-2006 |
| PROJECT NUMBER: | RS 0113(40) | DRAWN BY: | W.WONG |
| FILE NAME: | *****FILENAME*** | CHECKED BY: | K. ISHIKURA |
| PROJECT LEADER: | KEN UPMAL | ROW SHEET | 11 OF 62 |
| DESIGNED BY: | K. ISHIKURA | | |
| | C. MATTHEWS | | |