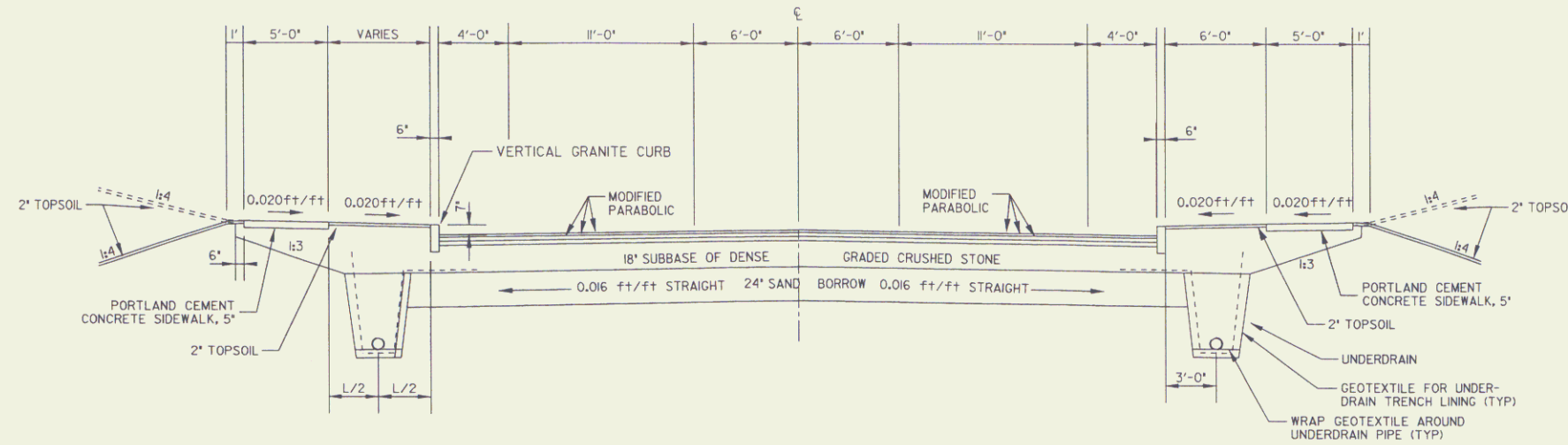


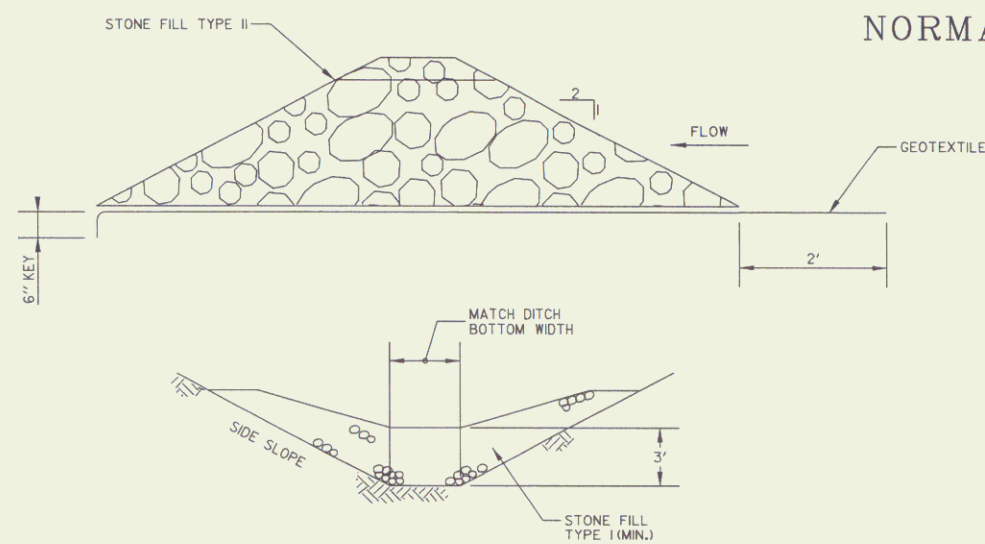
MATERIAL ITEM	THICKNESS	TOLERANCE
PAVEMENT (TOTAL DEPTH ALL LAYERS)	+/- 1/4"	
BASE COURSE	+/- 1/2"	
SUBBASE	+/- 1"	
GRANULAR BORROW	+/- 1"	
SAND BORROW	+/- 1"	

# TYPICAL SECTIONS US ROUTE 5

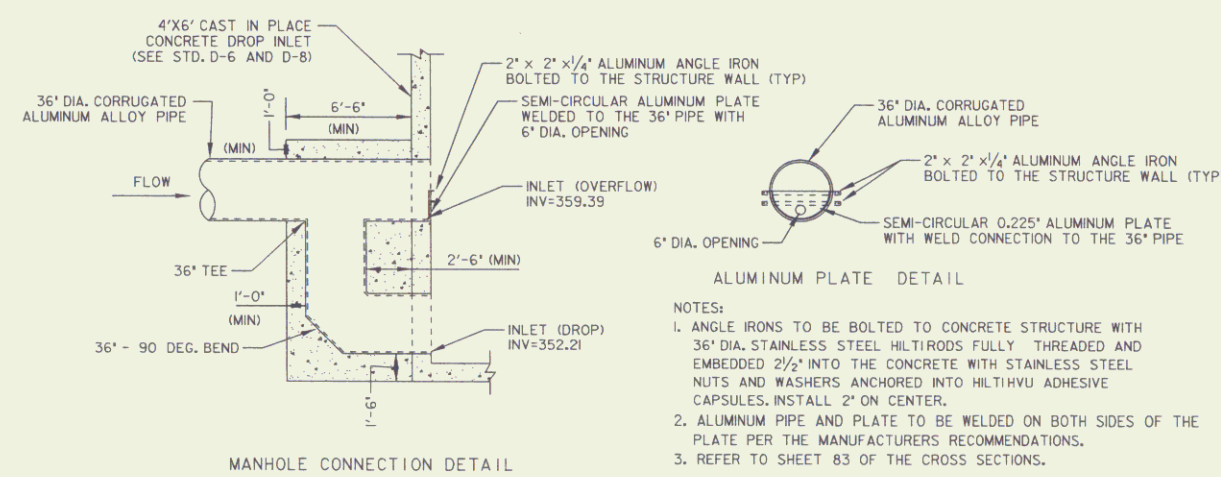
1 3/4" BITUMINOUS CONCRETE PAVEMENT (TYPE IIS)  
 2 3/4" BITUMINOUS CONCRETE PAVEMENT (TYPE IIS)  
 3" BITUMINOUS CONCRETE PAVEMENT (TYPE IS)  
 18" SUBBASE OF DENSE GRADED CRUSHED STONE  
 24" SAND BORROW



NORMAL SECTION WITH SHARED TURNING LANE



TYPICAL STONE CHECK DAM



MANHOLE CONNECTION DETAIL

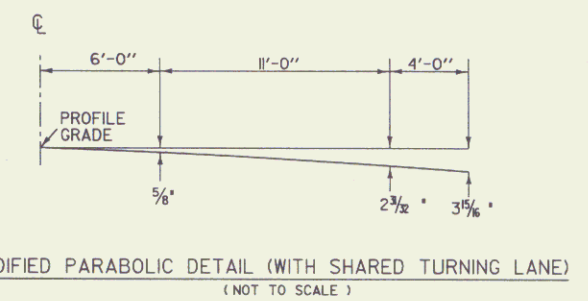
- ALUMINUM PLATE DETAIL
- NOTES:
1. ANGLE IRONS TO BE BOLTED TO CONCRETE STRUCTURE WITH 3/8" DIA. STAINLESS STEEL HILTIRODS FULLY THREADED AND EMBEDDED 2 1/2" INTO THE CONCRETE WITH STAINLESS STEEL NUTS AND WASHERS ANCHORED INTO HILTIHVV ADHESIVE CAPSULES, INSTALL 2" ON CENTER.
  2. ALUMINUM PIPE AND PLATE TO BE WELDED ON BOTH SIDES OF THE PLATE PER THE MANUFACTURERS RECOMMENDATIONS.
  3. REFER TO SHEET 83 OF THE CROSS SECTIONS.

SEEDING FORMULA URBAN AREAS				
% WT.	LBS./A.	NAME	PUR %	GERM %
42.5	34.0	CREEPING RED FESCUE	98	85
10.0	8.0	PERENNIAL RYE GRASS	95	90
42.5	34.0	KENTUCKY BLUE GRASS	85	85
5.0	4.0	ANNUAL RYE GRASS	95	85
100.00	80.0			

SEEDING FORMULA LOW GROW / FINE FESCUE SEEDING MIX				
% WT.	LBS./A.	NAME	PUR %	GERM %
38.0	45.6	CREEPING RED FESCUE	98	85
29.0	34.8	SPARTEN HARD FESCUE	95	90
15.0	18.0	AZAY SHEEPS FESCUE	85	90
15.0	18.0	ANNUAL RYE GRASS	95	85
3.0	3.6	INERTS		
100.00	120.0			

GENERAL NOTES

- SEED MIXTURE: SHALL NOT HAVE A WEED CONTENT EXCEEDING 0.40% BY WEIGHT AND SHALL BE FREE OF ALL NOXIOUS SEED.
- SEED: TO BE APPLIED PER SEEDING FORMULAS OR AS DIRECTED BY THE ENGINEER.
- FERTILIZER: FORMULA 10-20-10, TO BE USED WITH SEED, APPLIED AT THE RATE OF 500 LBS./ACRE. (HYDRO SEEDERS MAY USE 19-19-19 FORMULA).
- AGRICULTURAL LIMESTONE: TO BE APPLIED AT THE RATE OF 2 TONS/ACRE, OR AS DIRECTED BY THE ENGINEER.
- HAY MULCH: TO BE PLACED ON EARTH SLOPES AT THE RATE OF 2 TONS/ACRE, OR AS DIRECTED BY THE ENGINEER.
- WOOD MULCH: 70/30 WOOD/PAPER MIX
- MOWING: RECOMMENDED EARLY MOWING ONCE OR TWICE WHEN GRASS REACHES 6" HEIGHT MAXIMUM TO PREVENT BROADLEAF WEED COMPETITION DURING ESTABLISHMENT PERIOD.
- TOPSOIL: TO BE USED WITH SEED AS INDICATED ON THE PLANS, OR AS DIRECTED BY THE ENGINEER.
- MARKER POSTS: TO BE PLACED AS INDICATED OR AS DIRECTED BY THE ENGINEER.
- SLOPE ROUNDING: ALL CUT SLOPES TO BE ROUNDED IN ACCORDANCE WITH STANDARD SHEET B - 5.
- PAY LIMITS OF SAND BORROW: WHEN USED IN CONJUNCTION WITH UNDERDRAIN - SEE STANDARD SHEET D - 2.
- TACK COAT: EMULSIFIED ASPHALT IS TO BE APPLIED AT THE RATE OF 0.015 GAL/SY BETWEEN SUCCESSIVE COURSES OF PAVEMENT AS DIRECTED BY THE ENGINEER.



MODIFIED PARABOLIC DETAIL (WITH SHARED TURNING LANE)  
(NOT TO SCALE)

DROP CONNECTION DETAIL @ STATION 25+22.4 RT

DATUM	
VERTICAL	NGVD 1929
HORIZONTAL	N/A

PROJECT: HARTFORD	PROJECT NO.: RS 0113(40)
DESIGN FILE NAME: ***** IPARM FILE NAME: SURVEYED BY: FANTON SQUAD LEADER: GARY DUBRAY	PLOT DATE: 30-DEC-2005 SURVEY DATE: 1/87 DRAWN BY: E. ATKINS ROW SHEET 3 OF 62