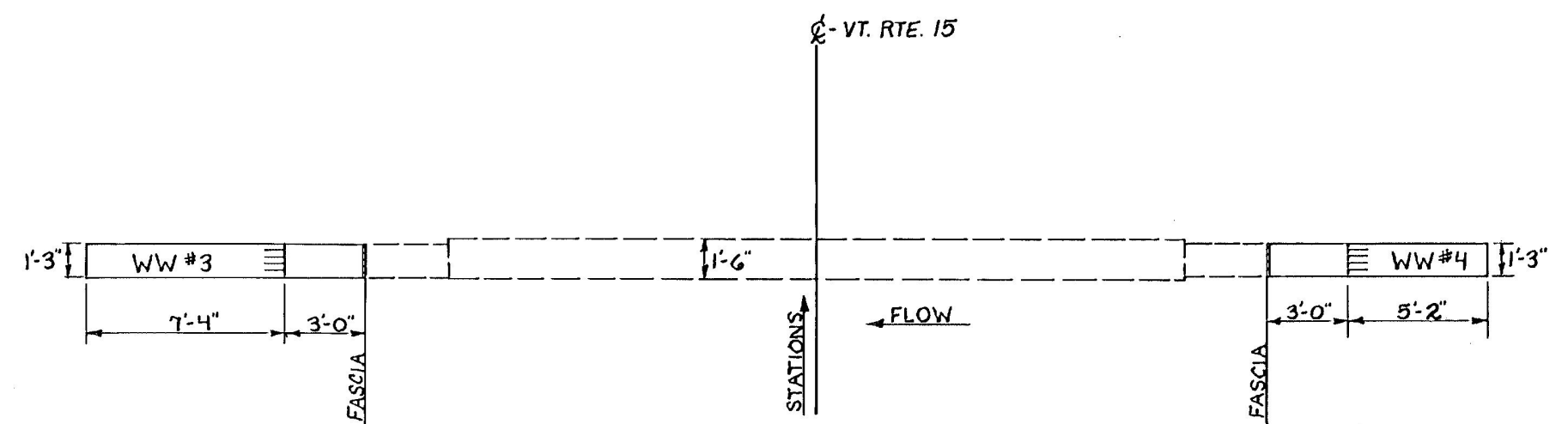
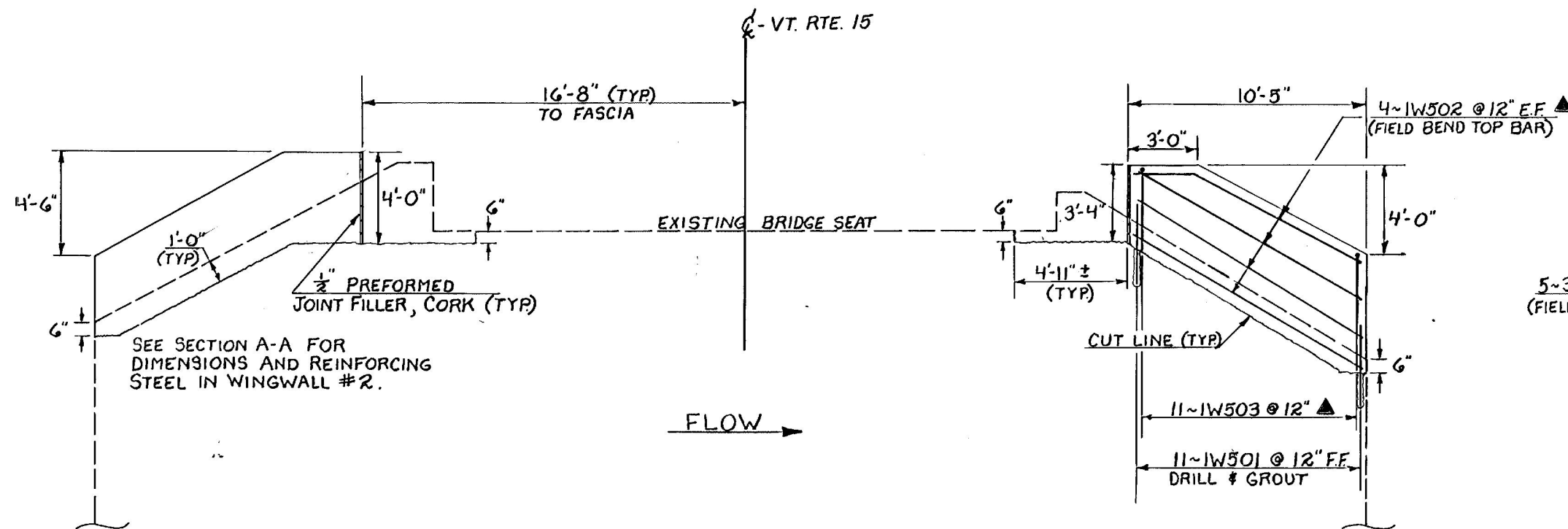


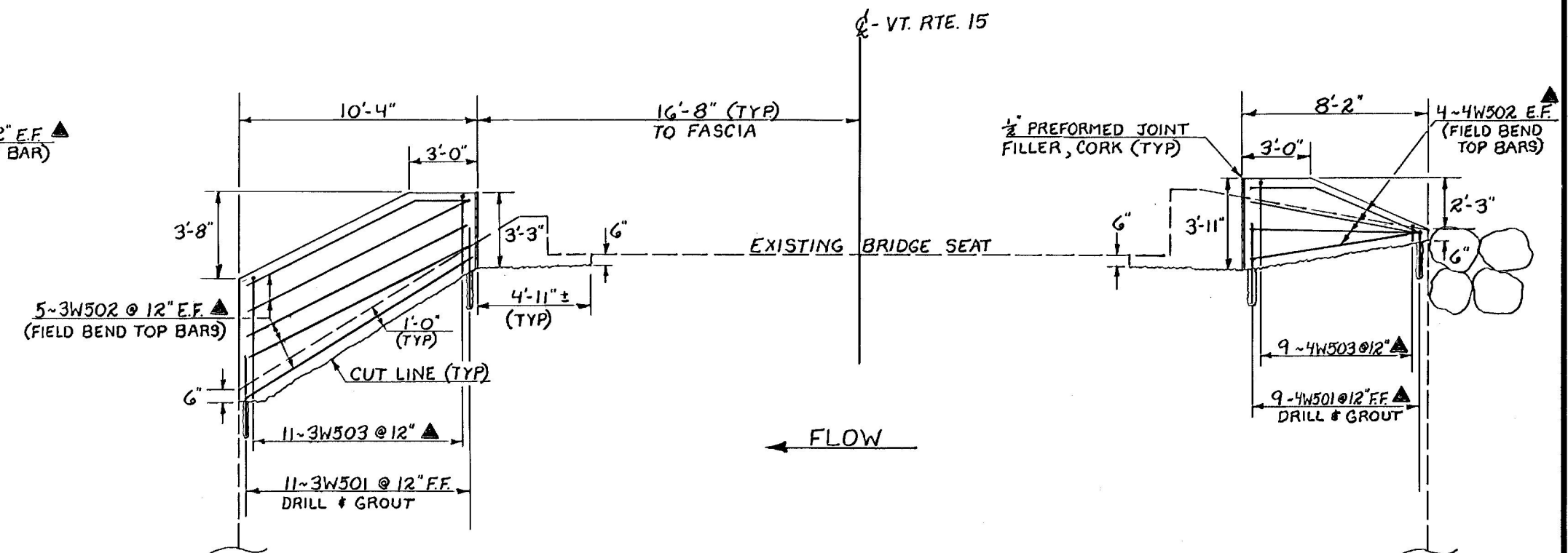
ABUTMENT #1 PLAN
SCALE: 1/4" = 1'-0"



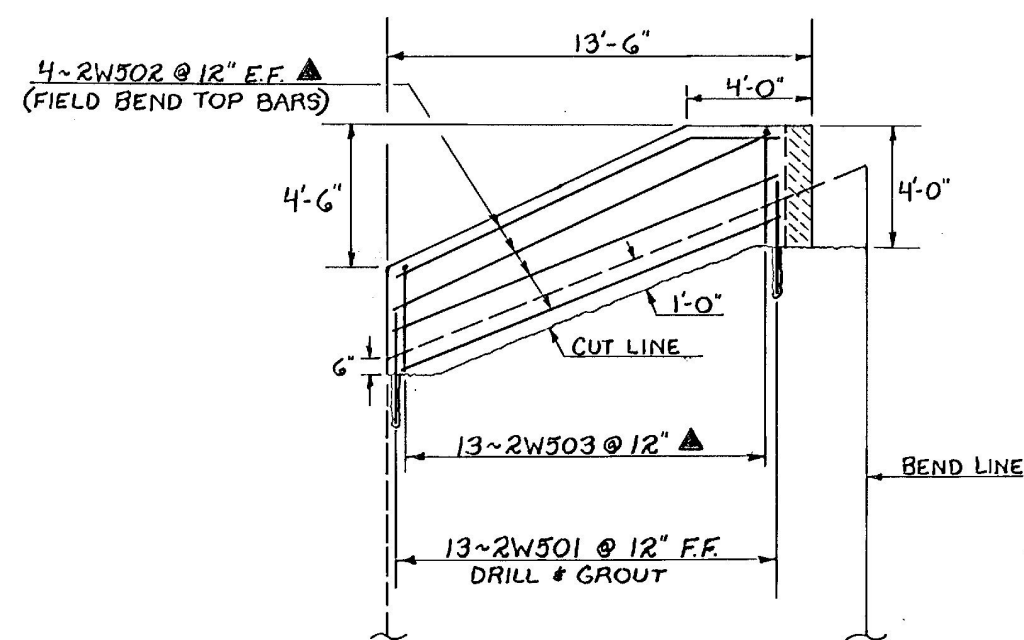
ABUTMENT #2 PLAN
SCALE: 1/4" = 1'-0"



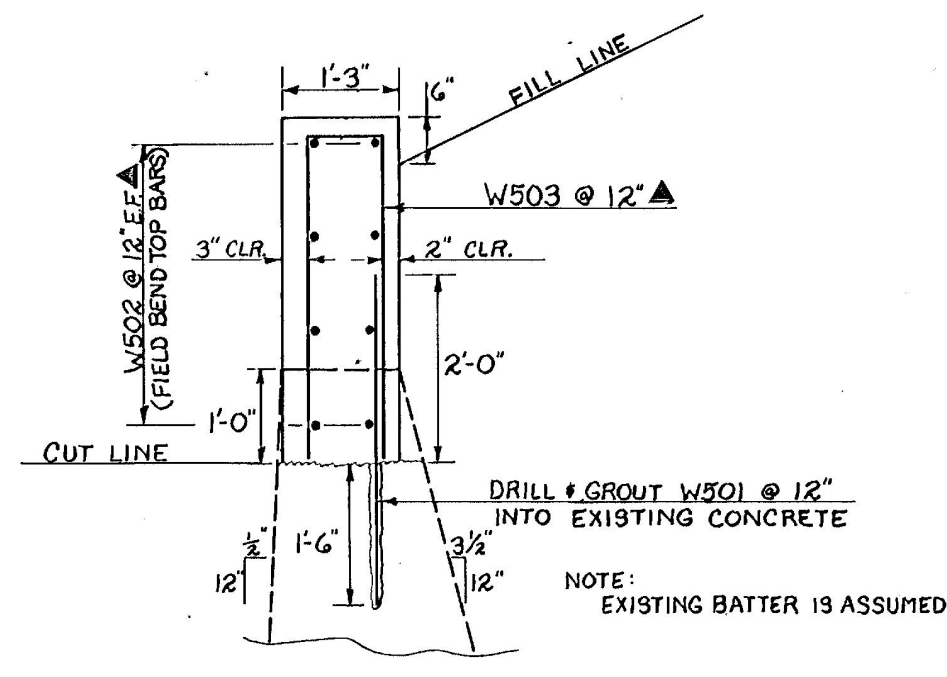
ABUTMENT #1 ELEVATION
SCALE: 1/4" = 1'-0"



ABUTMENT #2 ELEVATION
SCALE: 1/4" = 1'-0"



SECTION A-A
WINGWALL #2
SCALE: 1/4" = 1'-0"



TYPICAL WINGWALL CAP
SCALE: 3/4" = 1'-0"

▲ DENOTES BARS TO BE CUT TO FIT IN FIELD.

**STATE OF VERMONT
AGENCY OF TRANSPORTATION**

Town of	WOLCOTT	Bridge No.	48
Highway No.	VT. RTE. 15	Log Sta.	33+42
VT. RTE. 15 OVER GREEN RIVER		M.M. 0.633	
ABUTMENT DETAILS			
Designed By	T.H. LACKEY	Drawn By	C.P. WILLIAMS
Checked By	T.H. LACKEY	Date	6-86
PROJECT		MORRISTOWN-WOLCOTT	
PROJECT NO.		F 030-2(16)	
I.O.C. info.			
Bridge Sheet No. BR103		Sheet 21 of 102	