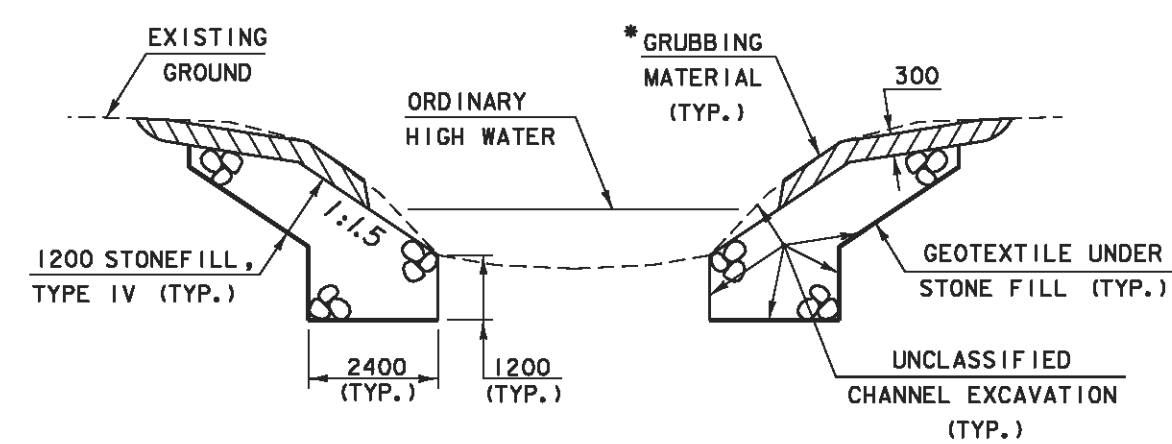


**TYPICAL BRIDGE SECTION**  
NOT TO SCALE



**TYPICAL CHANNEL SECTION**  
NOT TO SCALE

\* GRUBBING MATERIAL SHALL NOT BE PLACED ON THE STONE FILL IN THE AREA UNDER THE BRIDGE. WHENEVER CHANNEL SLOPE INTERSECTS ROADWAY SUBBASE, GRUBBING MATERIAL SHALL BEGIN AT THE BOTTOM OF SUBBASE.

PROJECT NAME: STOCKBRIDGE  
PROJECT NUMBER: BRF 022-1(20)SC

FILE NAME: xe039frm.dgn  
PROJECT LEADER: C.P. Williams  
DESIGNED BY: R GINGRAS

PLOT DATE: 04-MAR-2010  
DRAWN BY: M DRAPER  
CHECKED BY: R GINGRAS  
ROW SHEET 3 OF 33