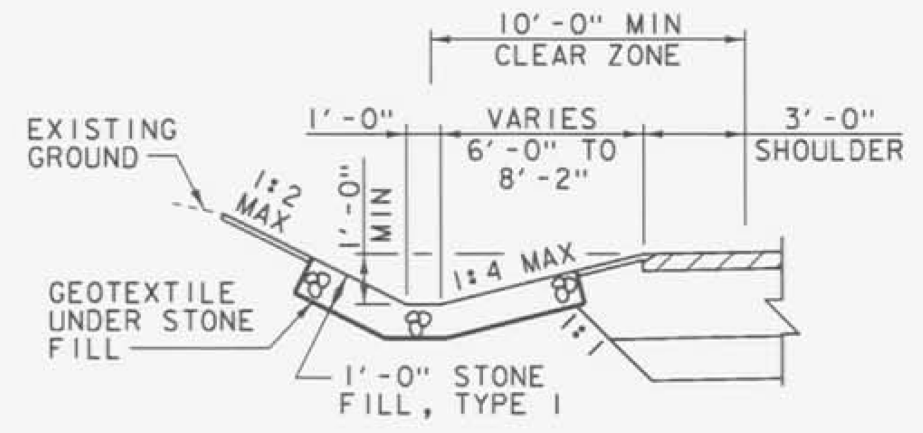
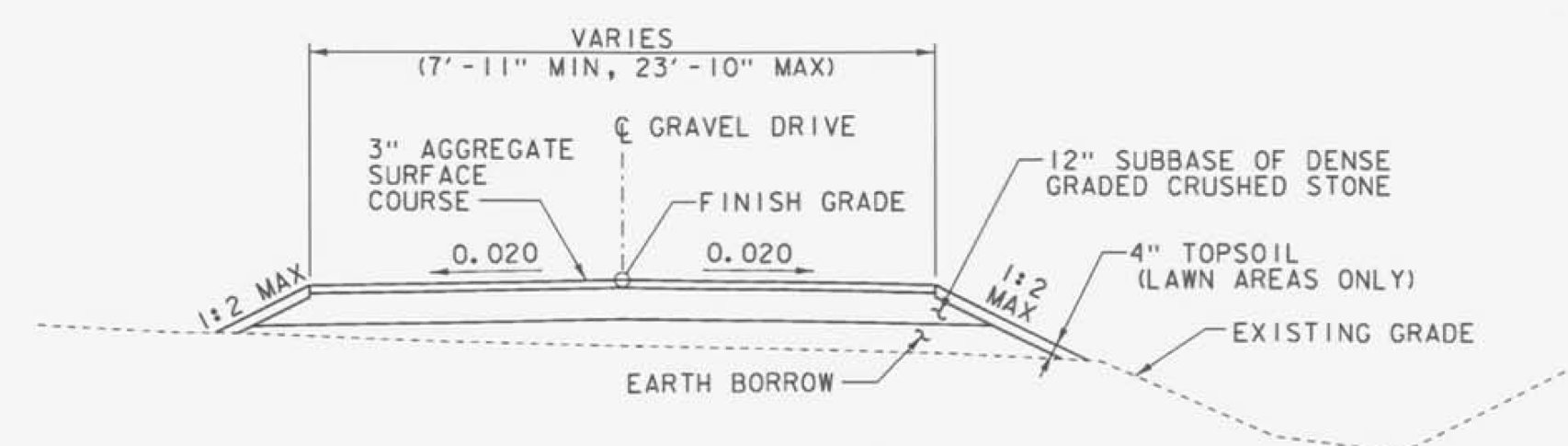


NOTE: SEE BANKING DIAGRAM ON PROFILE SHEET.
VT 73 TYPICAL ROADWAY SECTION
 SCALE: 1/4" = 1'-0"



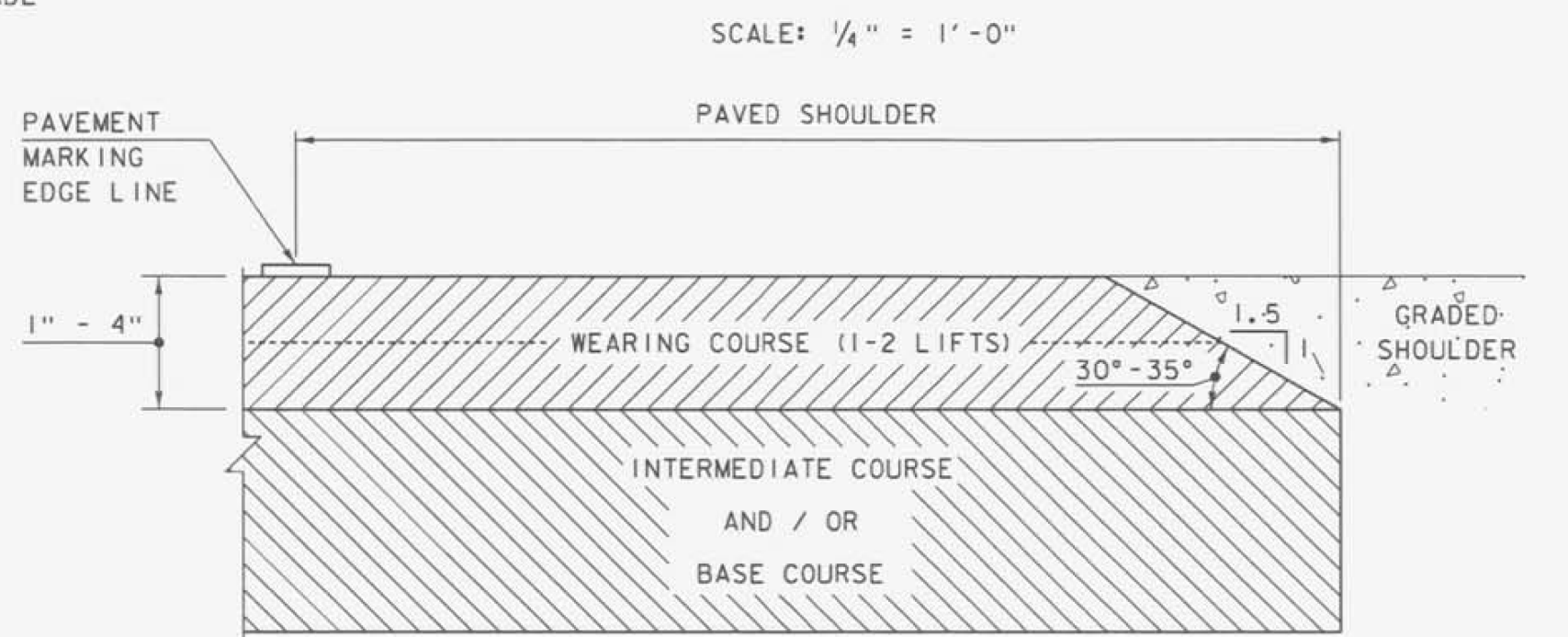
VT 73 TYPICAL DITCH SECTIONS
 SCALE: 1/4" = 1'-0"



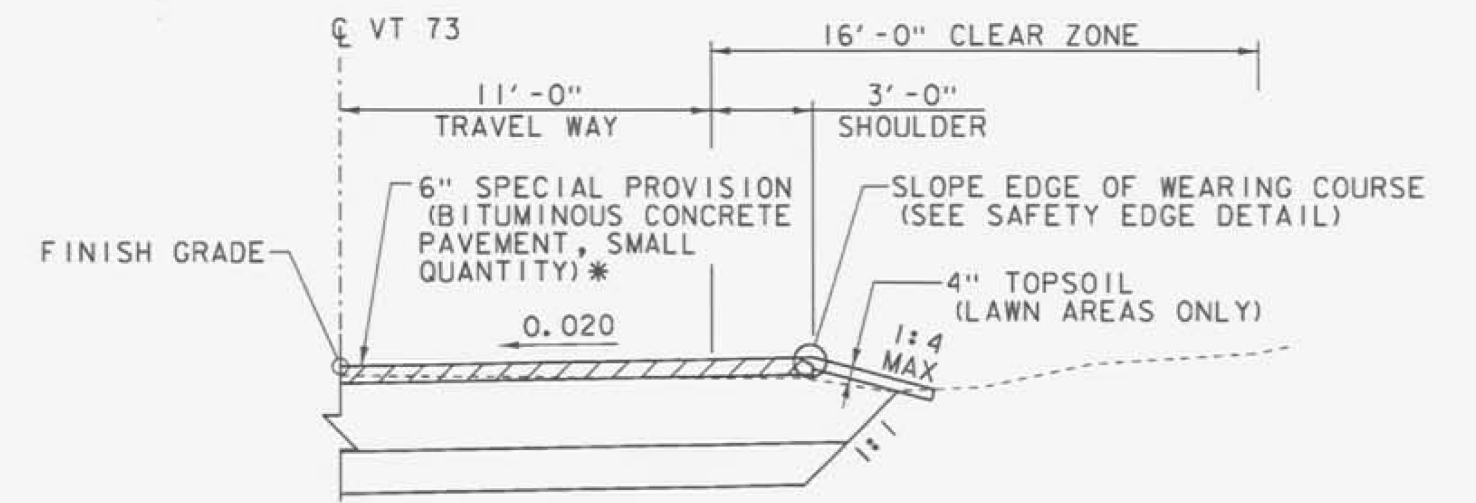
TYPICAL GRAVEL DRIVEWAY SECTION
 SCALE: 1/4" = 1'-0"

MATERIAL TOLERANCES
 (IF USED ON PROJECT)

SURFACE	
PAVEMENT (TOTAL THICKNESS)	+/- 1/4"
SUBBASE	+/- 1"
SAND BORROW	+/- 1"



SAFETY EDGE DETAIL
 NOT TO SCALE
 NOTE: LEVELING COURSE MAY INCLUDE THE "SAFETY EDGE" AT THE CONTRACTOR'S CHOICE.



NOTE: SEE TYPICAL ROADWAY SECTION FOR INFORMATION NOT SHOWN
TYPICAL CUT SECTION
 SCALE: 1/4" = 1'-0"

PROJECT NAME:	ROCHESTER
PROJECT NUMBER:	BRF 0162(17)
FILE NAME:	r85e035_typ.dgn
PROJECT LEADER:	J. FITCH
DESIGNED BY:	G.S. GOODRICH
TYPICAL ROADWAY SECTION	
PLOT DATE:	25-MAR-2013
DRAWN BY:	E.A. FIALA
CHECKED BY:	S.E. BURBANK
SHEET	7 OF 12