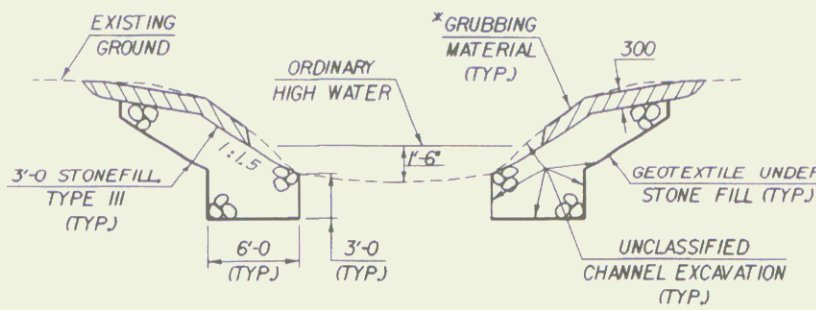
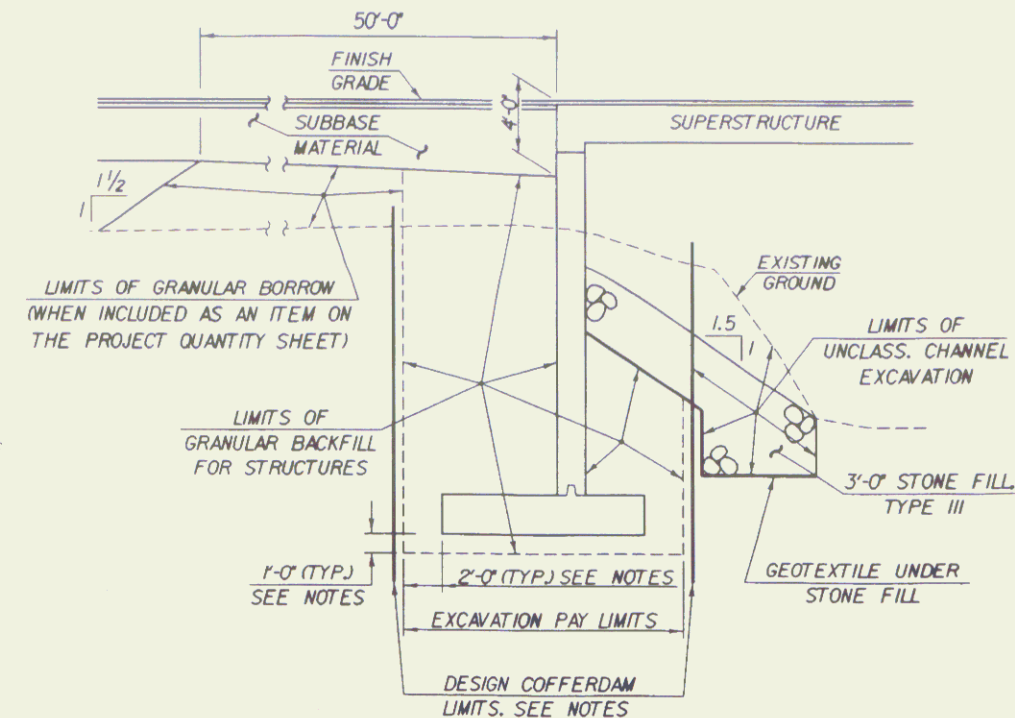


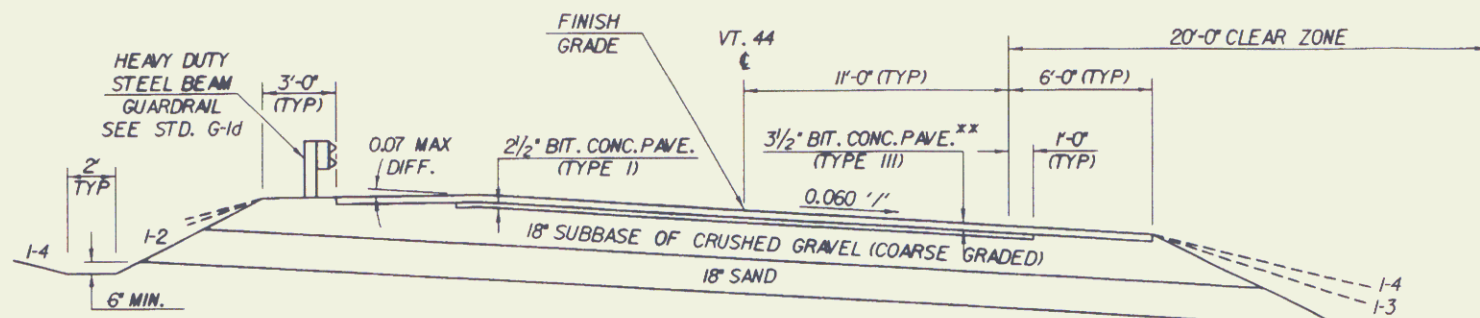
**TYPICAL BRIDGE SECTION**  
(NOT TO SCALE)



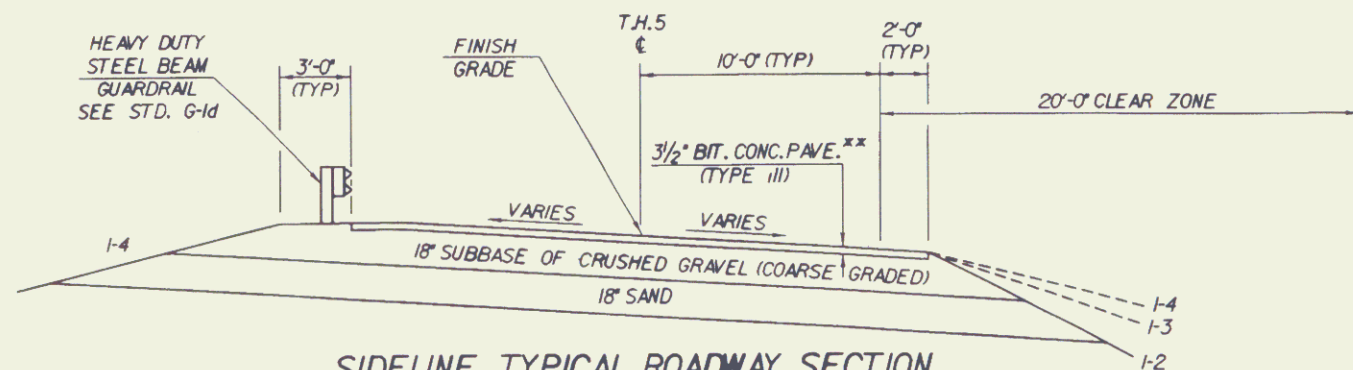
**TYPICAL CHANNEL SECTION**  
(NOT TO SCALE)



**TYPICAL ABUTMENT SECTION**  
(NOT TO SCALE)



**MAINLINE TYPICAL ROADWAY SECTION**  
(NOT TO SCALE)



**SIDELINE TYPICAL ROADWAY SECTION**  
(NOT TO SCALE)

**NOTES**

1. COFFERDAM SIZE TO BE DETERMINED BY THE CONTRACTOR.
2. THE PAY LIMITS OF "COFFERDAM EXCAVATION, EARTH" AND "COFFERDAM EXCAVATION, ROCK" SHALL BE 2'-0" OUTSIDE THE PERIMETER OF THE FOOTING.
3. ONE FOOT UNDERCUT AS DETERMINED NECESSARY BY THE RESIDENT ENGINEER.
4. IF A COFFERDAM IS CONSTRUCTED WHICH IS LARGER THAN THE INDICATED COFFERDAM EXCAVATION PAY LIMITS, PAYMENT FOR ALL UNCLASSIFIED CHANNEL EXCAVATION, INCLUDING THAT PORTION WHICH IS INSIDE THE COFFERDAM BUT OUTSIDE THE COFFERDAM EXCAVATION PAY LIMITS, WILL BE MADE AT THE CONTRACT UNIT PRICE FOR UNCLASSIFIED CHANNEL EXCAVATION.

**MATERIAL TOLERANCES**

PAVEMENT	+/- 1/4" (TOTAL THICKNESS)
BASE COURSE	+/- 1/2"
SUBBASE	+/- 1"
SAND BORROW	+/- 1"
GRANULAR BORROW	+/- 1"

\*\* SECOND LIFT: 1 1/2" TYPE III OVER FIRST LIFT: 2" TYPE I

**STATE OF VERMONT AGENCY OF TRANSPORTATION**

Town Of	READING	Bridge No.	1
Highway No.	VT. 44	Log Sta.	
		Surv. Sta.	
<b>VT ROUTE 44 OVER THE MILL BROOK</b>			
<b>TYPICAL SECTION SHEET</b>			
Designed By	C. MEUNIER	Drawn By	STR1
Checked By	C. MEUNIER	Bridge Design Supervisor	G.S. ROGERS
Date	3/99	Date	3/99
PROJECT	READING	PROJECT NO.	BRS 014816S
L.G.C. Info. /dri/856034/m03491.dgn		ss03.dwg.1	
R.O.W. Sheet No. 2 OF 17 Sheets			
PLOTTED 09-FEB-2001			