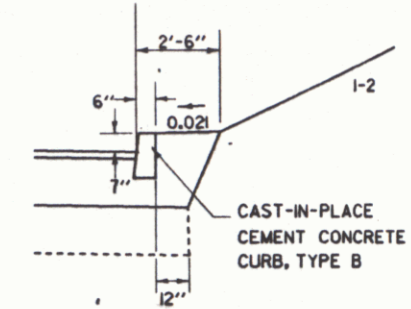
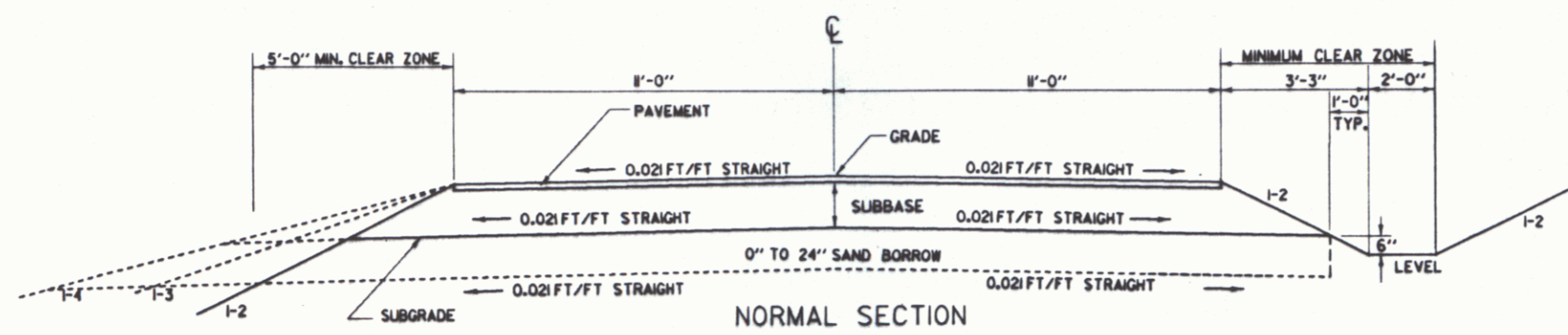


TOWN HIGHWAY 75 TYPICAL SECTIONS

1 1/2" BITUMINOUS CONCRETE PAVEMENT (LIFT OF TYPE III)
 18" SUBBASE OF GRAVEL

0'-24" SAND BORROW } AS INDICATED ON THE PLANS OR AS DIRECTED BY THE ENGINEER.

MATERIAL ITEM	THICKNESS TOLERANCE
PAVEMENT	± 1/4"
SUBBASE	± 1"
SAND BORROW	± 1"



TH 75 NORTH 60+58 ~ 61+50 RT.

DATE PLOTTED	12/88		
SURVEYED BY	FELTON	DATE	3/84
DRAWN BY	WHEELER	DATE	9/86
SQUAD LEADER	BOYD		
DESIGN FILE NO.	ZFA2150, 54184B022NF		
NEWFANE			
F 015-1(16)			
R.O.W. SHEET 3 OF 12			

848022TY2

DEC 2 1996 3