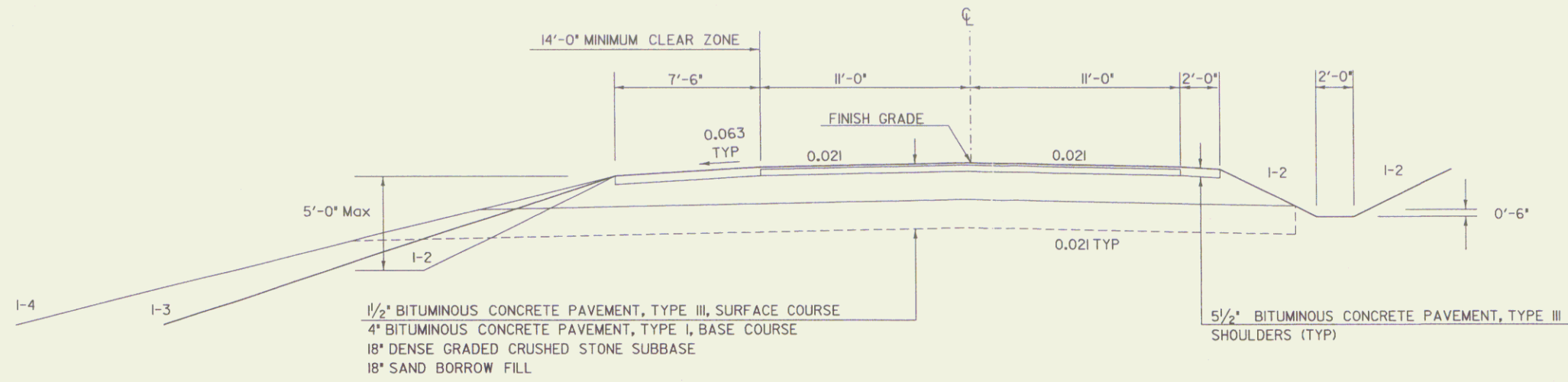
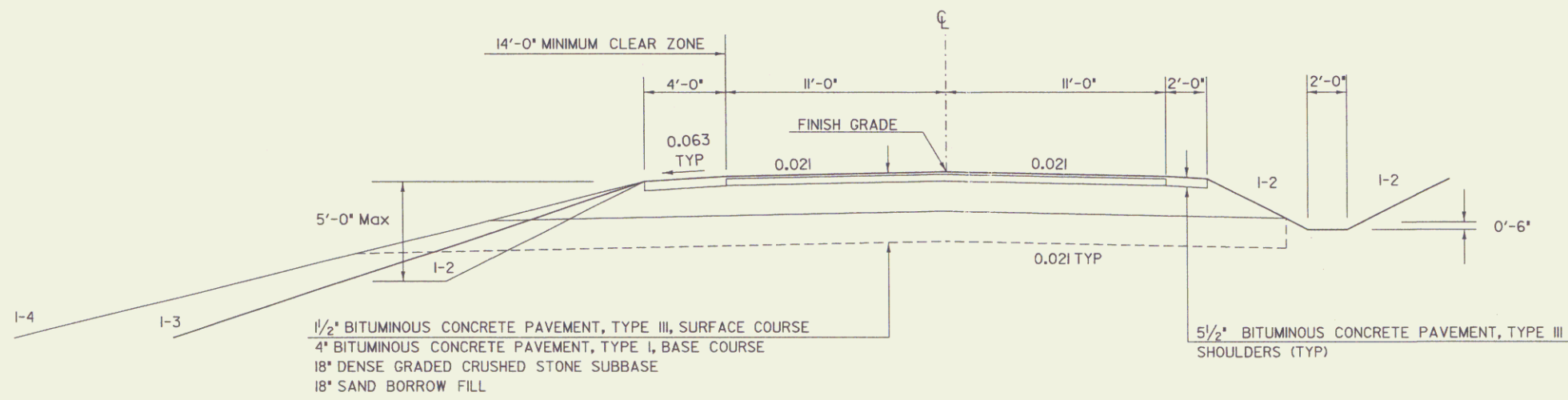


MATERIAL ITEM	THICKNESS TOLERANCE
PAVEMENT	± 1/4"
SUBBASE	± 1"
SAND BORROW	± 1"

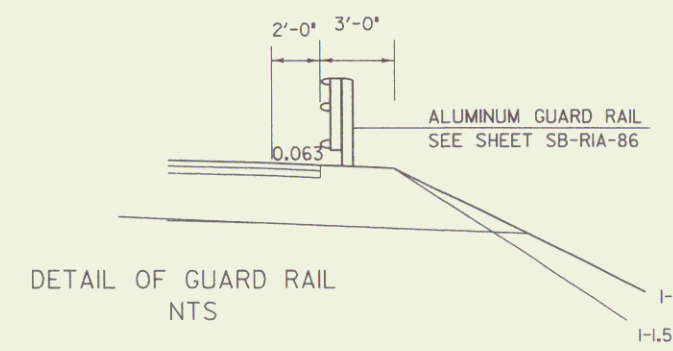
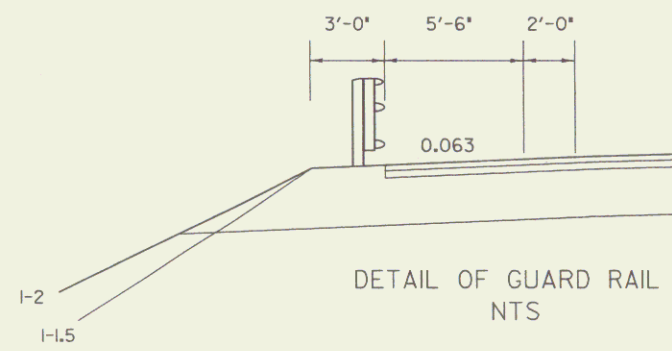
1/2" BITUMINOUS CONCRETE PAVEMENT, TYPE III
 4" BITUMINOUS CONCRETE PAVEMENT, TYPE I
 18" SUBBASE OF DENSE GRADED CRUSHED STONE
 18" SAND BORROW
 SHOULDERS 5 1/2" BITUMINOUS CONCRETE PAVEMENT, TYPE III



NORMAL SECTION
 NTS
 STA. 217+50 TO 219+30



NORMAL SECTION
 NTS
 STA. 219+30 TO 221+00



PROJECT NAME:	WILLIAMSTOWN	PLOT DATE:	06-JUN-2005
PROJECT NUMBER:	BRS 0204 (4)	DRAWN BY:	LACKEY
FILE NAME:	str2/83ell/dellfrm.dgn	DESIGNED BY:	EVANS-MONGEON
PROJECT LEADER:	EVANS-MONGEON	CHECKED BY:	STANLEY
sellbtyp3.1		ROW SHEET	2 OF 20 SHEETS