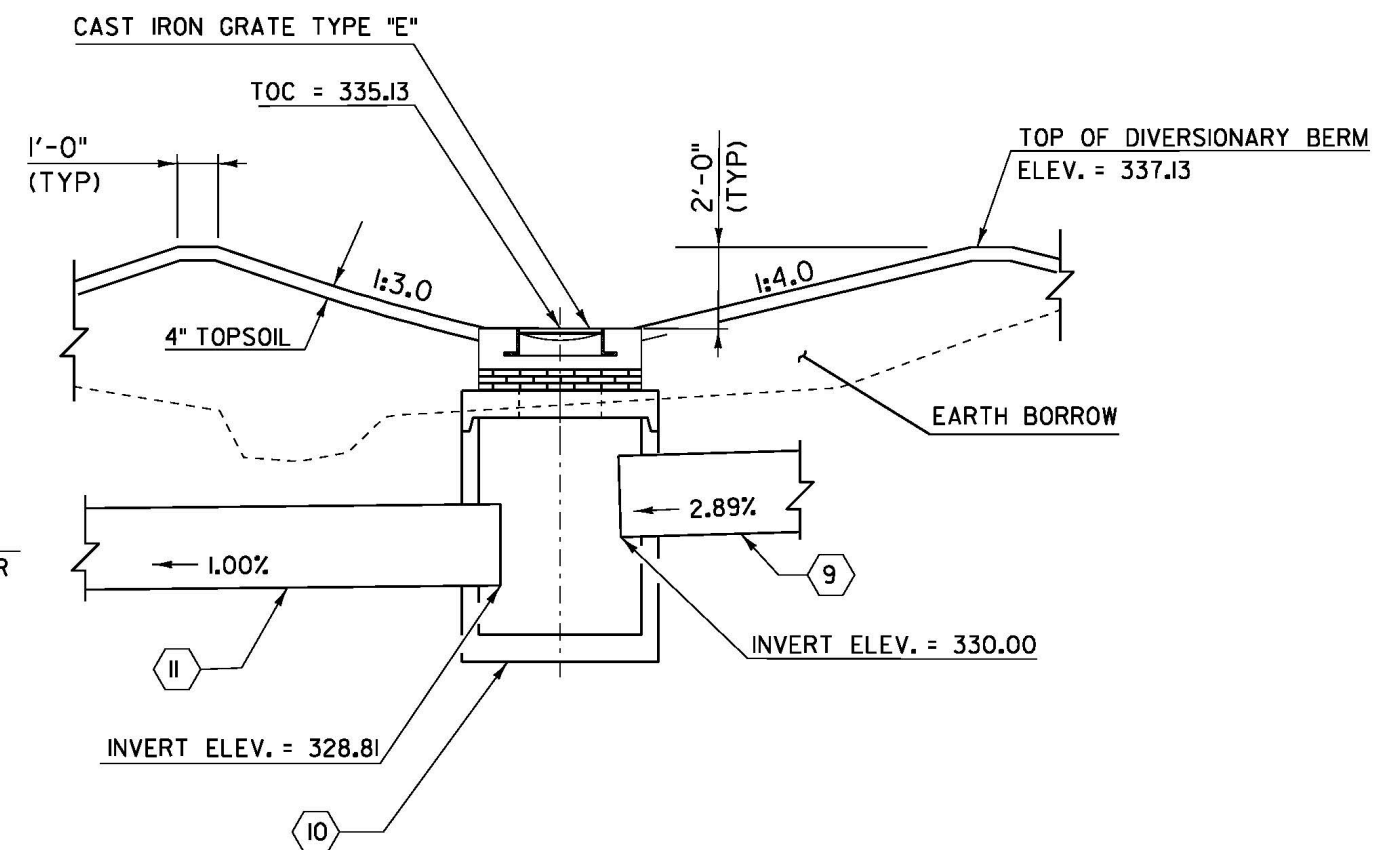


SEE "PIPE OUTLET ISO VIEW" AND
"PIPE OUTLET CHANNEL VIEW"
THIS SHEET

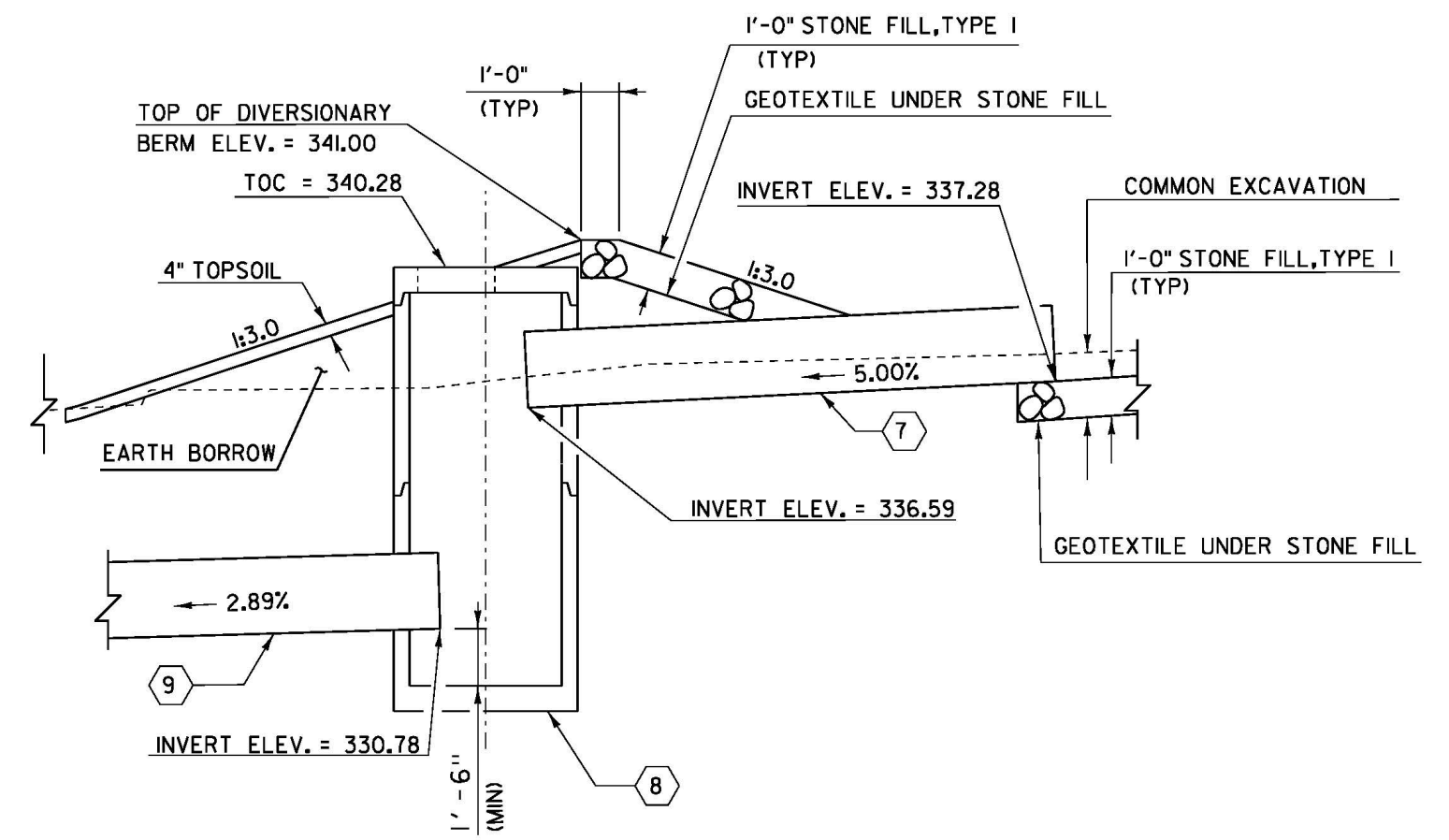
NTS

PUBLIC DRIVE PIPE OUTLET DETAIL



NTS

PUBLIC DRIVE CATCH BASIN DETAIL

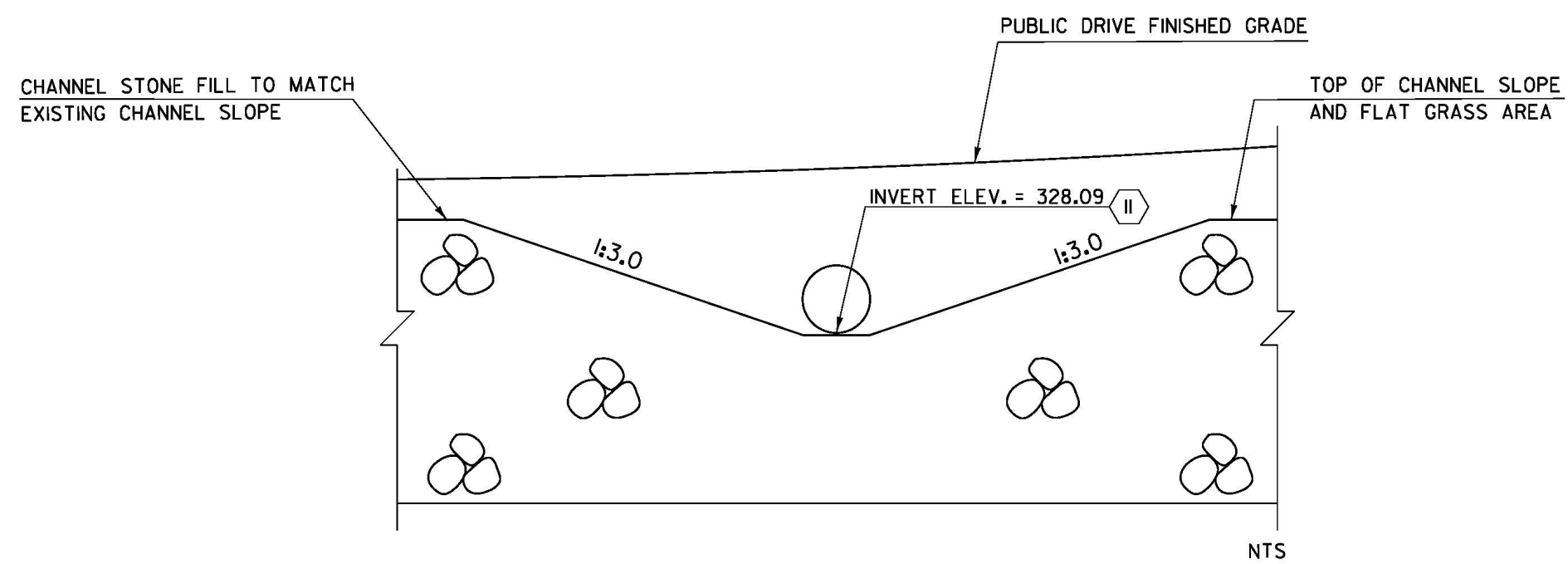


NTS

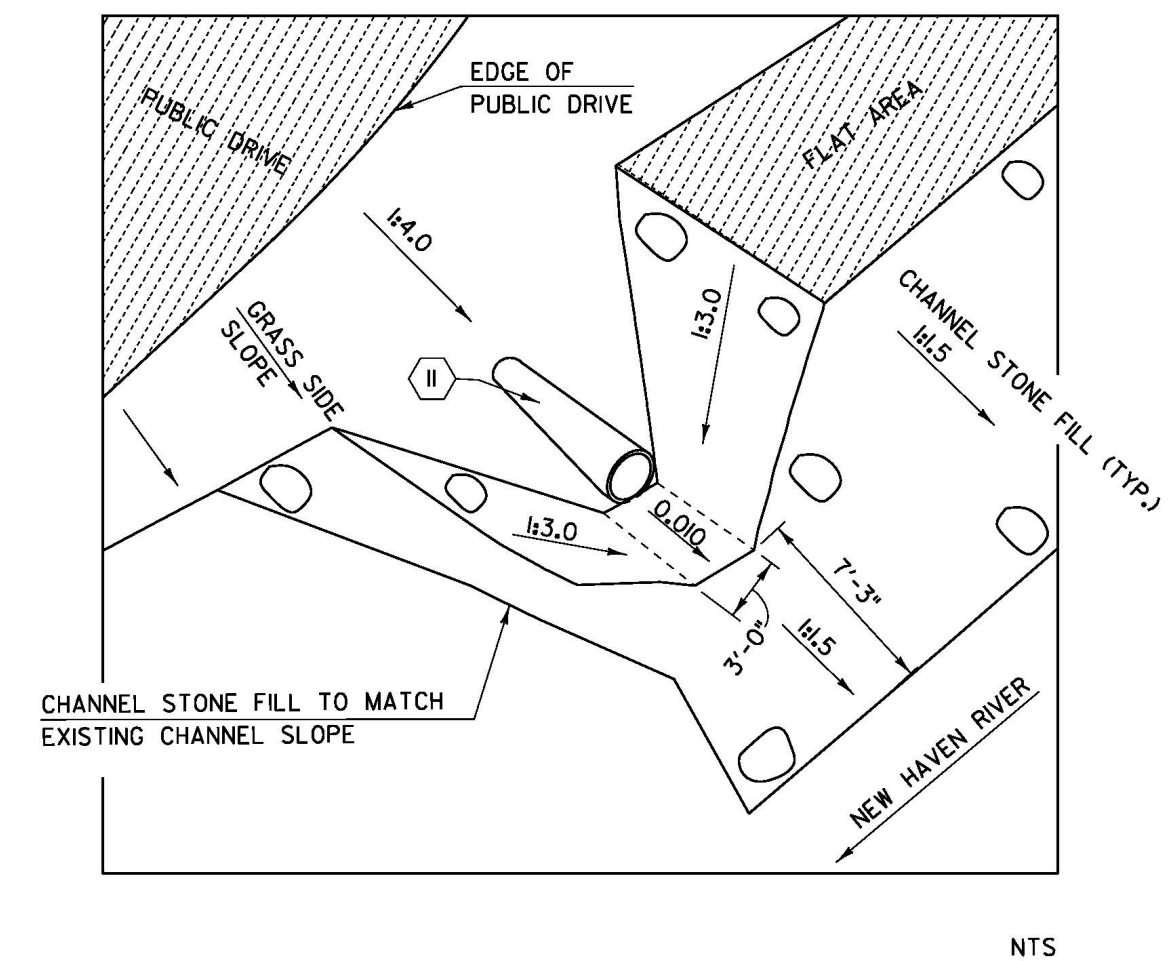
FIELD CATCH BASIN DETAIL

- ⑦ PUBLIC DRIVE NEW 24" CPEP/CAAP/PCCSP
- ⑧ PUBLIC DRIVE NEW 48 INCH DIA. PRECAST REINFORCED CONCRETE CATCH BASIN WITH CAST IRON COVER
- ⑨ PUBLIC DRIVE NEW 24" CPEP/CAAP/PCCSP
- ⑩ PUBLIC DRIVE NEW 48 INCH DIA. PRECAST REINFORCED CONCRETE CATCH BASIN WITH CAST IRON GRATE (TYPE E)
THIS STRUCTURE WILL BE BURIED WHILE THE DETOUR IS IN USE
- ⑪ PUBLIC DRIVE NEW 24" CPEP/CAAP/PCCSP

SEE "LAYOUT SHEETS" FOR PIPE STATIONS, OFFSETS, LENGTHS AND PRECAST REINFORCED CONCRETE CATCH BASIN LOCATIONS



PIPE OUTLET CHANNEL VIEW



PIPE OUTLET ISO VIEW

PROJECT NAME: BRISTOL
PROJECT NUMBER: STP F 021-1(15)

FILE NAME: 78f187/STR/s78f187xs.dgn
PROJECT LEADER: M. EVANS-MONGEON
DESIGNED BY: W. PELLETIER
PUBLIC DRIVE DRAINAGE DETAIL SHEET

PLOT DATE: 25-APR-2012
DRAWN BY: G. ROKES
CHECKED BY: W. PELLETIER
SHEET 17 OF 37