

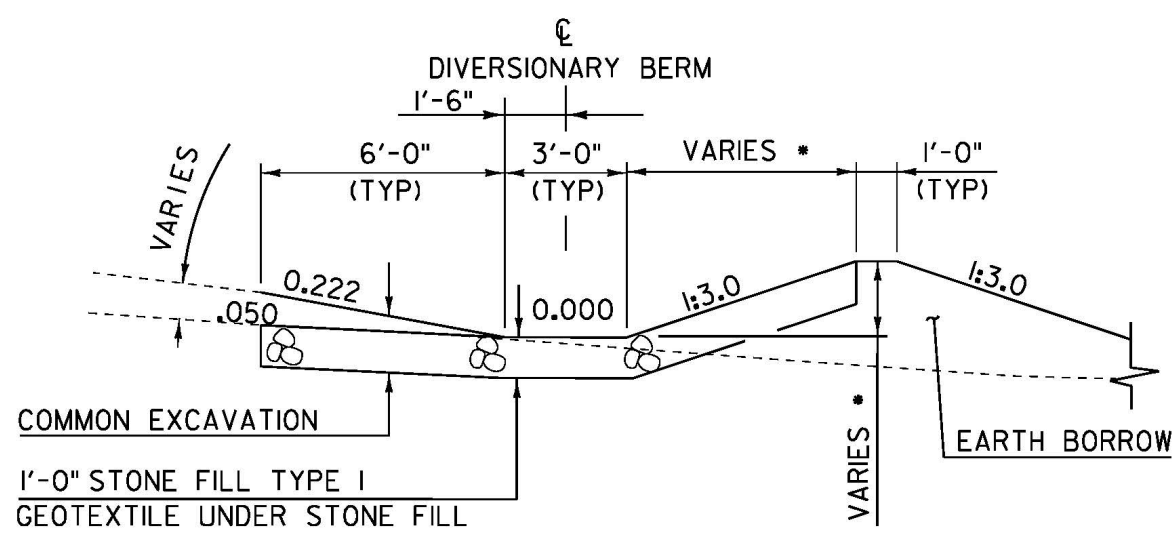
DIVERSIONARY BERM LAYOUT

SCALE 1" = 20'-0"  
20 0 20

NOTE 1: THIS DIVERSIONARY BERM WILL BE USED AS A PERMANENT OFF-SITE WATER CONVEYANCE, THIS DIVERSIONARY BERM AND ALL NECESSARY DRAINAGE STRUCTURES, PIPES TO CONVEY DIVERTED WATER TO THE NEW HAVEN RIVER WILL BE IN PLACE PRIOR TO PLACEMENT OF THE VT-116 DETOUR. THE ALIGNMENT FILE WILL BE INCLUDED FOR PROPER LAYOUT.

NOTE 2: THIS SIDE SLOPE WILL INTERSECT EXISTING GROUND AS INDICATED WHILE THE DETOUR IS IN PLACE. SEE "DIVERSIONARY BERM CROSS SECTION SHEETS" FOR SIDE SLOPE INFORMATION. ONCE THE DETOUR IS REMOVED AND FINAL GRADING IS UNDERWAY, THE SIDE SLOPE WILL BE EXTENDED TO MATCH FINAL GRADING AS INDICATED IN PROJECT LAYOUT SHEETS AND VT-116 CROSS SECTIONS SHEETS.

NOTE 3: SEE DIVERSIONARY BERM PROFILE FOR ELEVATIONS.

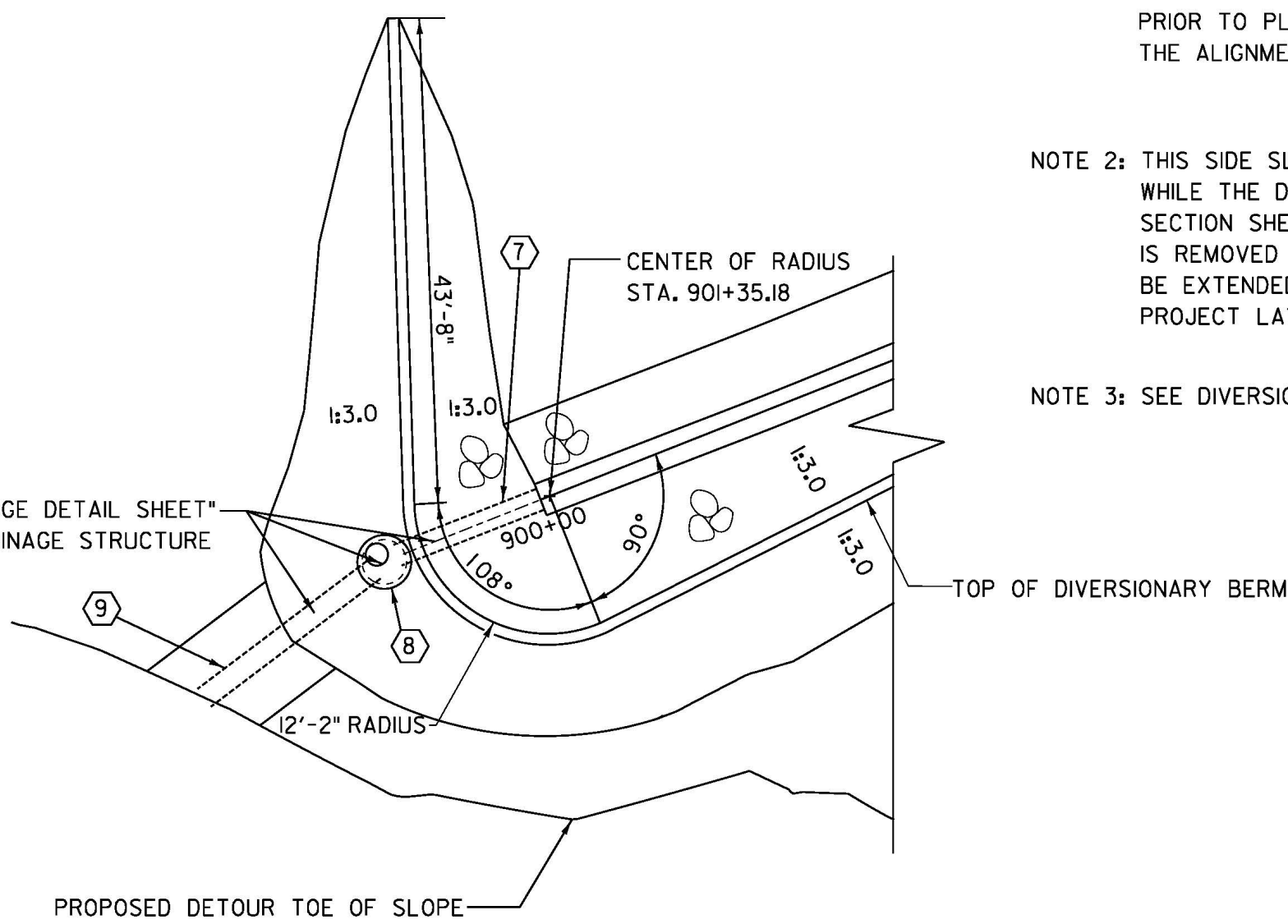


DIVERSIONARY BERM TYPICAL

NTS

• FOR HEIGHT AND WIDTH DIMENSIONS SEE "DIVERSIONARY BERM SECTION SHEETS"

SEE "PUBLIC DRIVE DRAINAGE DETAIL SHEET" FOR INFORMATION ON DRAINAGE STRUCTURE



DIVERSIONARY BERM ENLARGED DETAIL

NTS

PROJECT NAME:	BRISTOL	FILE NAME:	78f187/STR/s78f187eorthd.dgn	PLOT DATE:	25-APR-2012
PROJECT NUMBER:	STP F 021-1(15)	PROJECT LEADER:	M. EVANS-MONGEON	DRAWN BY:	G.ROKES
		DESIGNED BY:	W.PELLETIER	CHECKED BY:	W.PELLETIER
		DIVERSIONARY BERM TYPICAL AND LAYOUT		SHEET 16 OF 37	