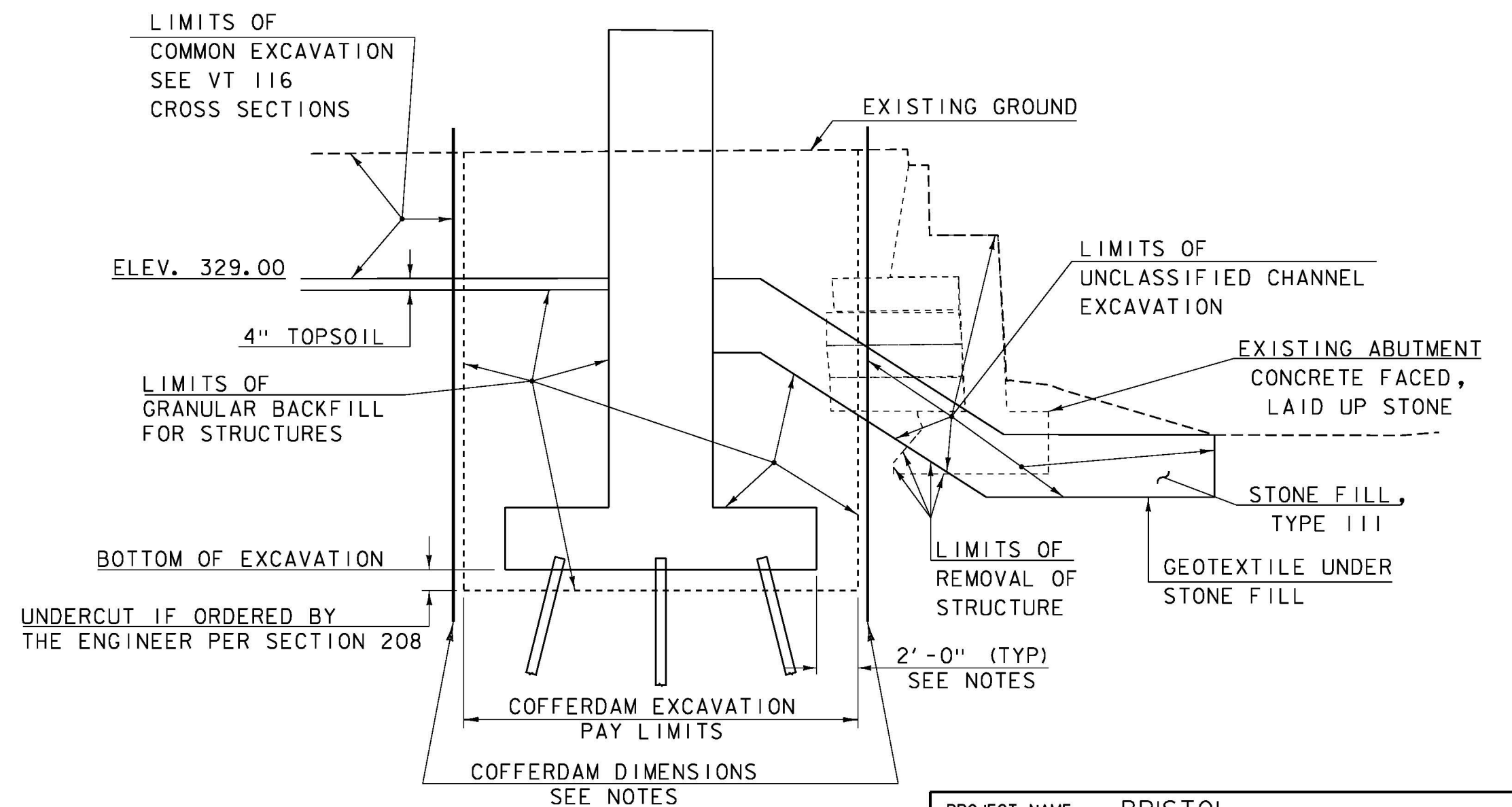
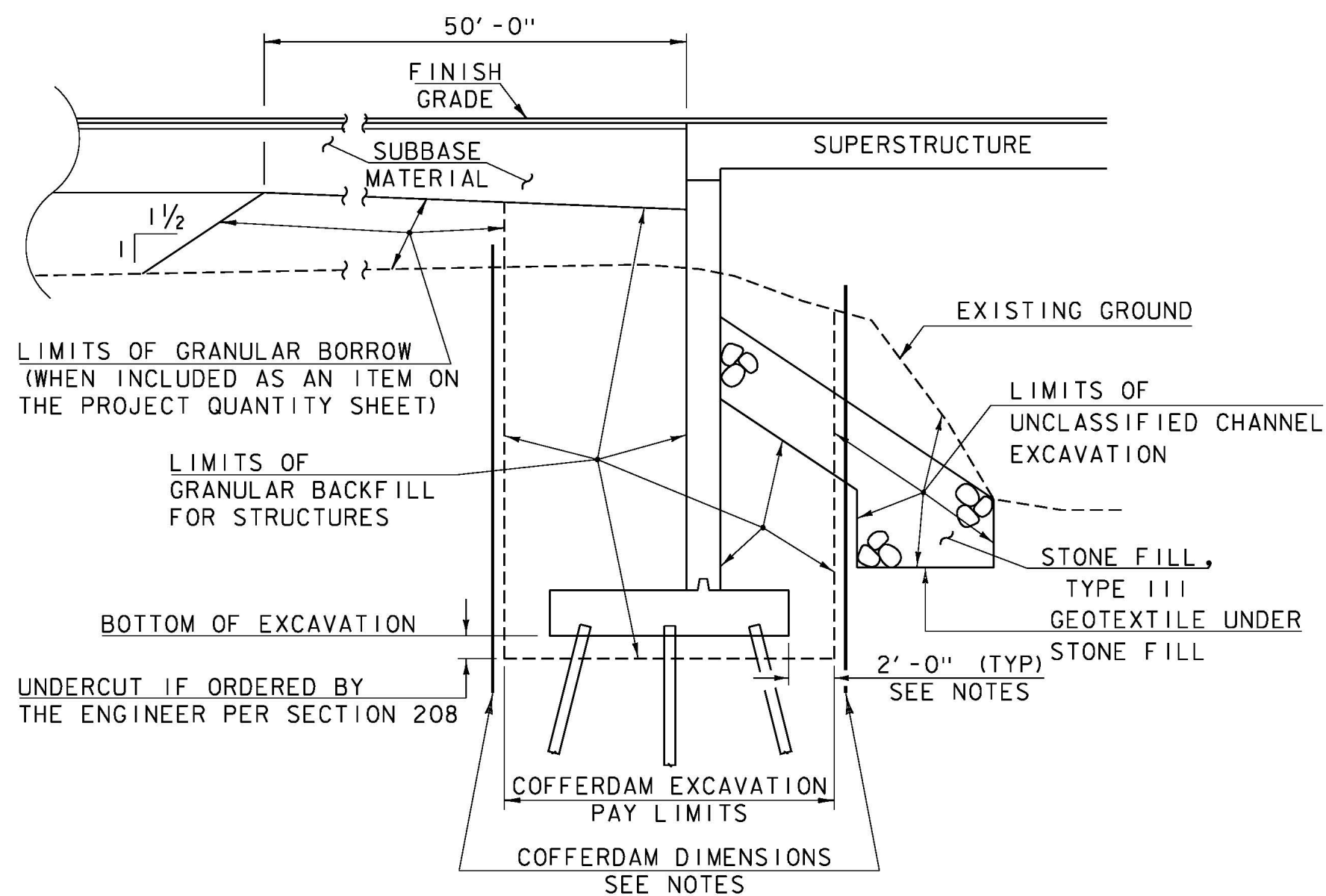


COFFERDAM NOTES

1. COFFERDAM LIMITS TO BE DETERMINED BY THE CONTRACTOR.
2. THE PAY LIMITS OF "COFFERDAM EXCAVATION, EARTH" AND "COFFERDAM EXCAVATION, ROCK" SHALL BE NO MORE THAN 2'-0" OUTSIDE THE PERIMETER OF THE FOOTING, UP TO EXISTING GROUND OR BOTTOM OF SUBBASE, WHICHEVER IS LOWER.
3. ONE FOOT UNDERCUT AS DETERMINED NECESSARY BY THE RESIDENT ENGINEER.
4. IF A COFFERDAM IS CONSTRUCTED WHICH IS LARGER THAN THE INDICATED COFFERDAM EXCAVATION PAY LIMITS, PAYMENT FOR ALL UNCLASSIFIED CHANNEL EXCAVATION, INCLUDING THAT PORTION WHICH IS INSIDE THE COFFERDAM BUT OUTSIDE THE COFFERDAM EXCAVATION PAY LIMITS, WILL BE MADE AT THE CONTRACT UNIT PRICE FOR UNCLASSIFIED CHANNEL EXCAVATION.



COFFERDAM AND EARTHWORK SECTION- ABUTMENT 2
(NOT TO SCALE)

COFFERDAM AND EARTHWORK SECTION- PIER
(NOT TO SCALE)

PROJECT NAME:	BRISTOL	FILE NAME:	/78f187/STR/ s78f187typ.dgn	PLOT DATE:	25-APR-2012
PROJECT NUMBER:	STP F 021-I(15)	PROJECT LEADER:	M.EVANS-MONGEON	DRAWN BY:	G.ROKES
		DESIGNED BY:	W.PELLETIER	CHECKED BY:	W.PELLETIER
		EARTHWORK TYPICALS		SHEET	13 OF 37