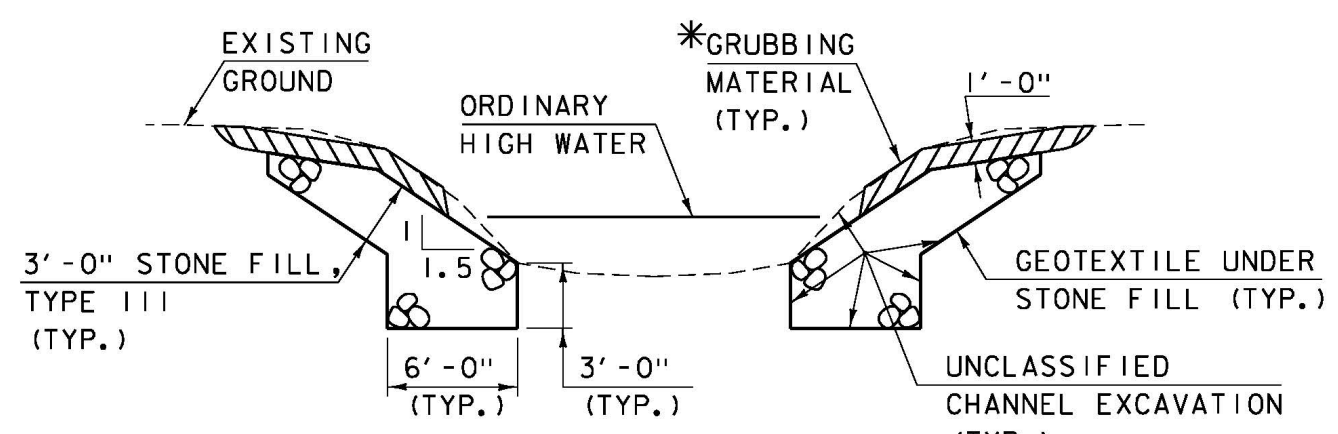


BRIDGE TYPICAL

SCALE 3/8" = 1'-0"
 0 1 2 3 4



TYPICAL CHANNEL SECTION
 (NOT TO SCALE)

* GRUBBING MATERIAL SHALL NOT BE PLACED ON THE STONE FILL IN THE AREA UNDER THE BRIDGE. WHENEVER CHANNEL SLOPE INTERSECTS ROADWAY SUBBASE, GRUBBING MATERIAL SHALL BEGIN AT THE BOTTOM OF SUBBASE.

PROJECT NAME: BRISTOL	
PROJECT NUMBER: STP F 021-1(15)	
FILE NAME: /78f187/STR/ s78f187typ.dgn	PLOT DATE: 25-APR-2012
PROJECT LEADER: M.EVANS-MONGEON	DRAWN BY: G.ROKES
DESIGNED BY: W.PELLETIER	CHECKED BY: W.PELLETIER
BRIDGE TYPICAL	SHEET 11 OF 37