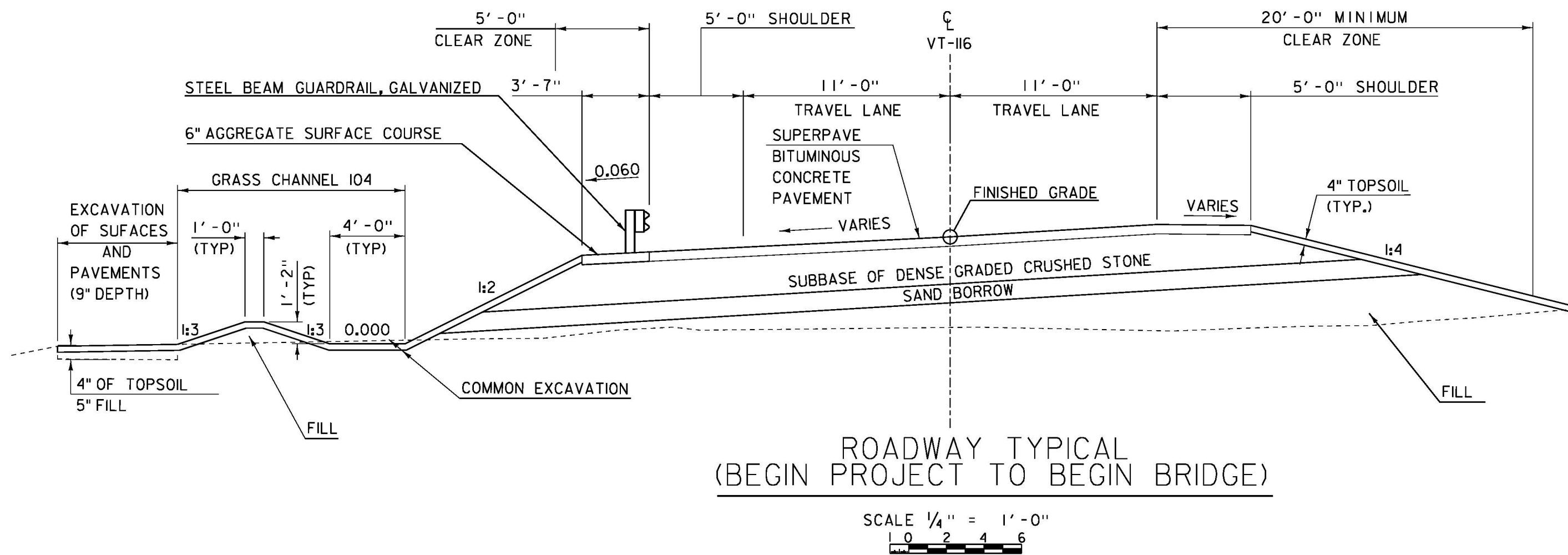


1 1/2" SUPERPAVE BITUMINOUS CONCRETE PAVEMENT, TYPE IVS
 1 1/2" SUPERPAVE BITUMINOUS CONCRETE PAVEMENT, TYPE IVS
 3" SUPERPAVE BITUMINOUS CONCRETE PAVEMENT, TYPE IIS
 24" SUBBASE OF DENSE GRADED CRUSHED STONE
 12" SAND BORROW
 TACK COAT: EMULSIFIED ASPHALT IS TO BE APPLIED AT THE RATE OF 0.025 GAL/SY
 BETWEEN SUCCESSIVE COURSES OF PAVEMENT AS DIRECTED BY THE ENGINEER.

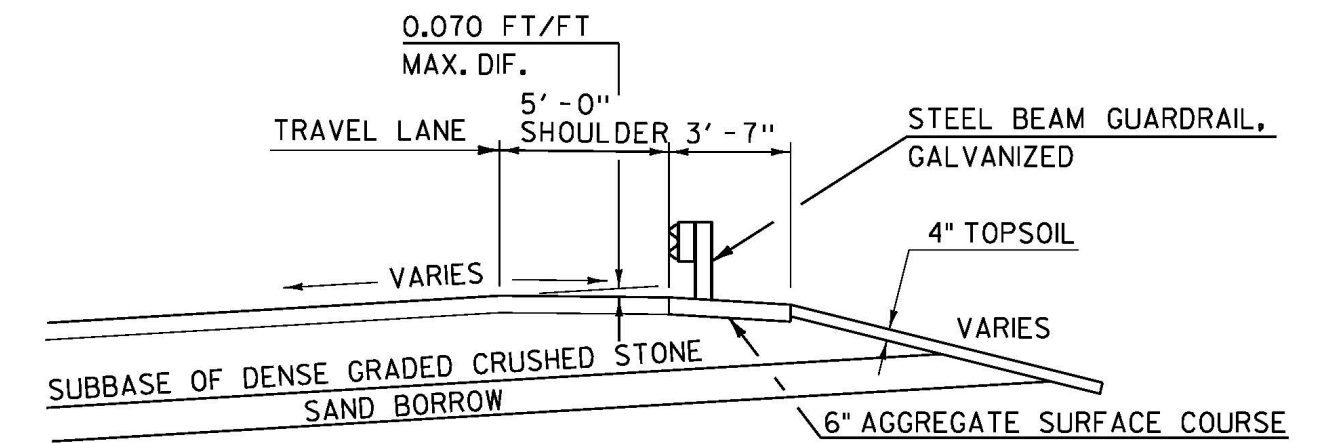
MATERIAL ITEM	THICKNESS TOLERANCES
SUPERPAVE BITUMINOUS CONCRETE PAVEMENT (TOTAL DEPTH)	± 1/4"
SUBBASE OF DENSE GRADED CRUSHED STONE	± 1"
SAND BORROW	± 1"
AGGREGATE SURFACE COURSE	± 1/2"
PG BINDER GRADE - SEE GENERAL SPECIAL PROVISIONS SECTION 406	

MARKER POSTS: TO BE PLACED AS INDICATED OR AS DIRECTED BY THE ENGINEER.
 SLOPE ROUNDING: ALL CUT SLOPES TO BE ROUNDED IN ACCORDANCE WITH
 STANDARD SHEET B - 5.



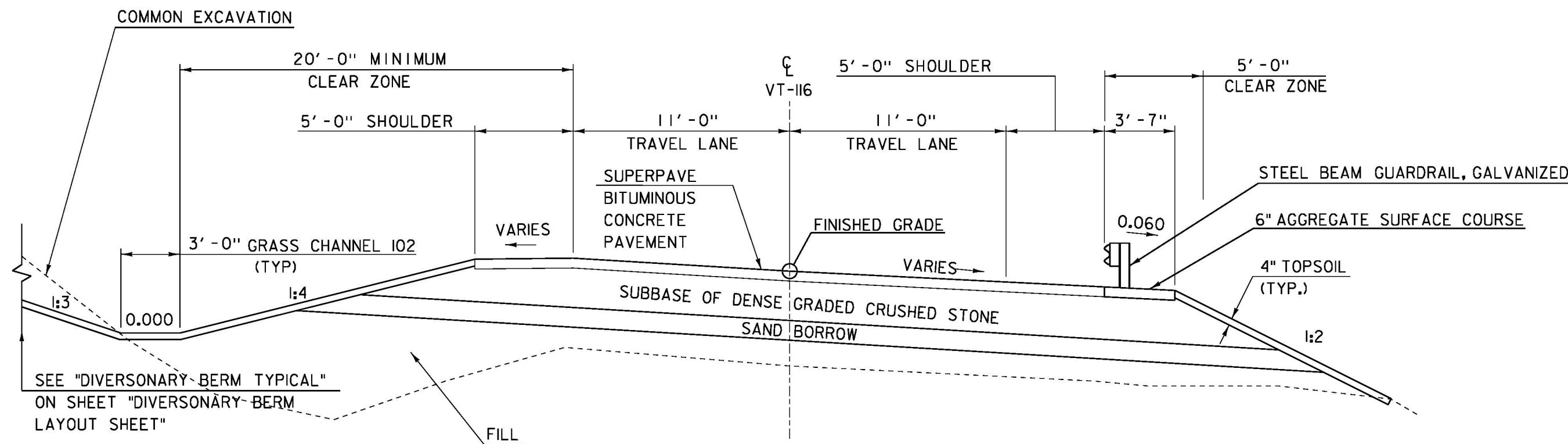
ROADWAY TYPICAL
(BEGIN PROJECT TO BEGIN BRIDGE)

SCALE 1/4" = 1'-0"



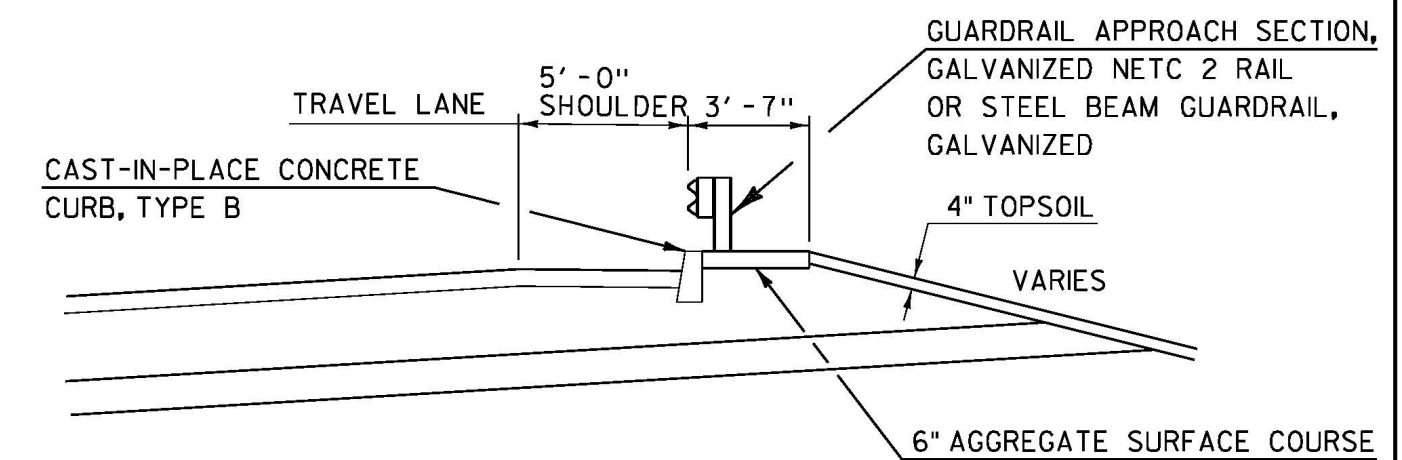
ROADWAY
BANKED WITH GUARDRAIL

NTS



ROADWAY TYPICAL
(END BRIDGE TO END PROJECT)

SCALE 1/4" = 1'-0"



ROADWAY, BANKED WITH
CAST-IN-PLACE CONCRETE CURB, TYPE B

NTS

PROJECT NAME: BRISTOL
 PROJECT NUMBER: STP F 021-1(15)

FILE NAME: /78f187/STR/ s78f187typ.dgn PLOT DATE: 25-APR-2012
 PROJECT LEADER: M.EVANS-MONGEON DRAWN BY: G.ROKES
 DESIGNED BY: W.PELLETIER CHECKED BY: W.PELLETIER
 ROADWAY TYPICALS SHEET 10 OF 37