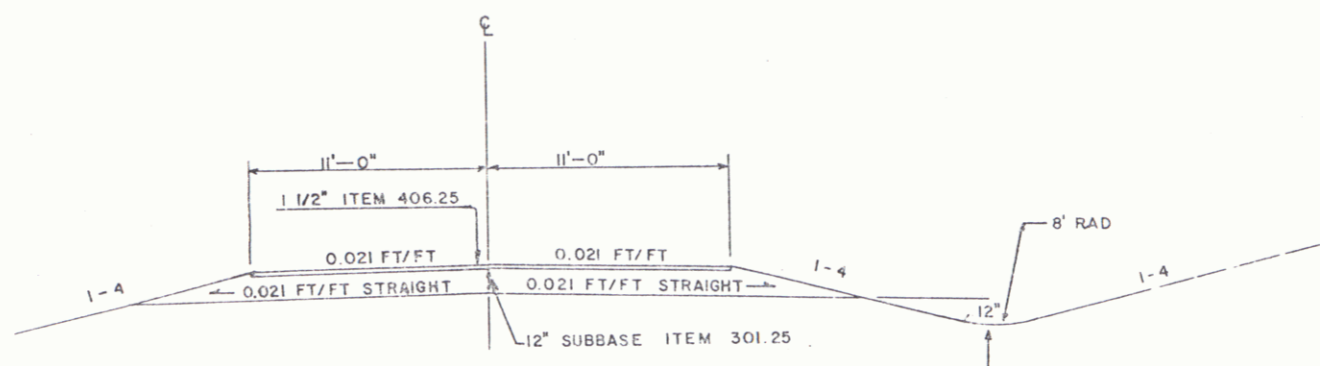


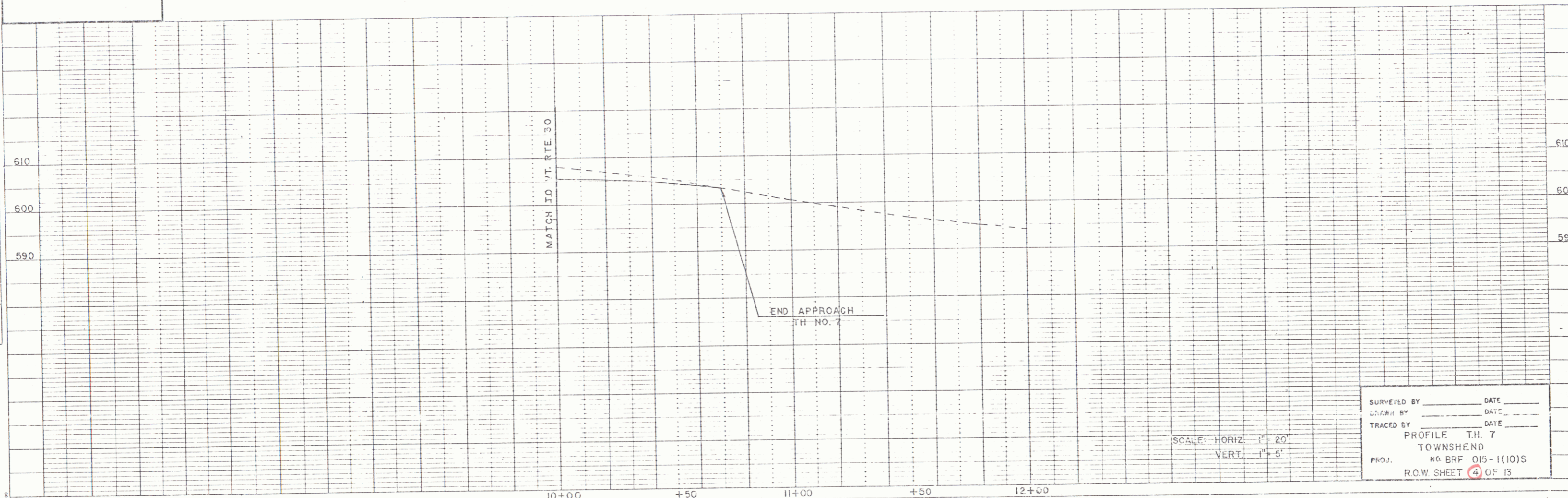
TYPICAL SECTION TH No. 7

1 1/2" (±1/4") BITUMINOUS CONCRETE PAVEMENT ITEM 406.25  
 12" (±1") SUBBASE OF CRUSHED GRAVEL, COARSE GRADED ITEM 301.25



DATUM  
 VERTICAL \_\_\_\_\_  
 HORIZONTAL \_\_\_\_\_

PROFILE  
 DRAWN BY \_\_\_\_\_  
 CHECKED BY \_\_\_\_\_  
 DATE \_\_\_\_\_  
 NO. \_\_\_\_\_  
 STANDARD NOTATIONS ABOVE



SCALE: HORIZ. 1" = 20'  
 VERT. 1" = 5'

SURVEYED BY \_\_\_\_\_ DATE \_\_\_\_\_  
 DRAWN BY \_\_\_\_\_ DATE \_\_\_\_\_  
 TRACED BY \_\_\_\_\_ DATE \_\_\_\_\_  
 PROFILE TH. 7  
 TOWNSHEND  
 PROJ. NO. BRP 015-1(10)S  
 R.O.W. SHEET 4 OF 13

JAN 06 1993

4