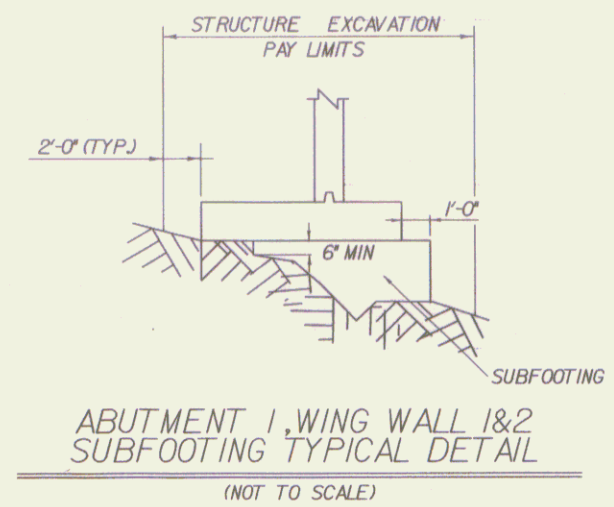
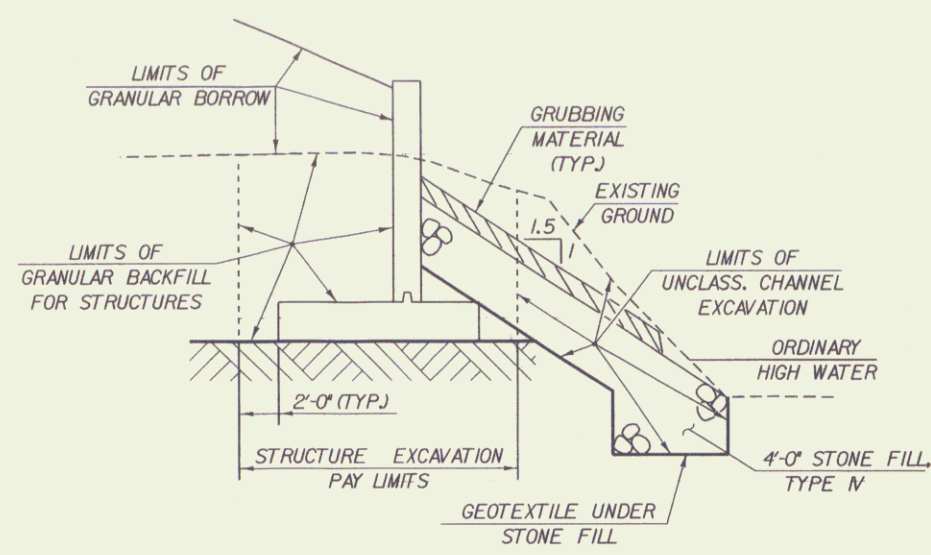


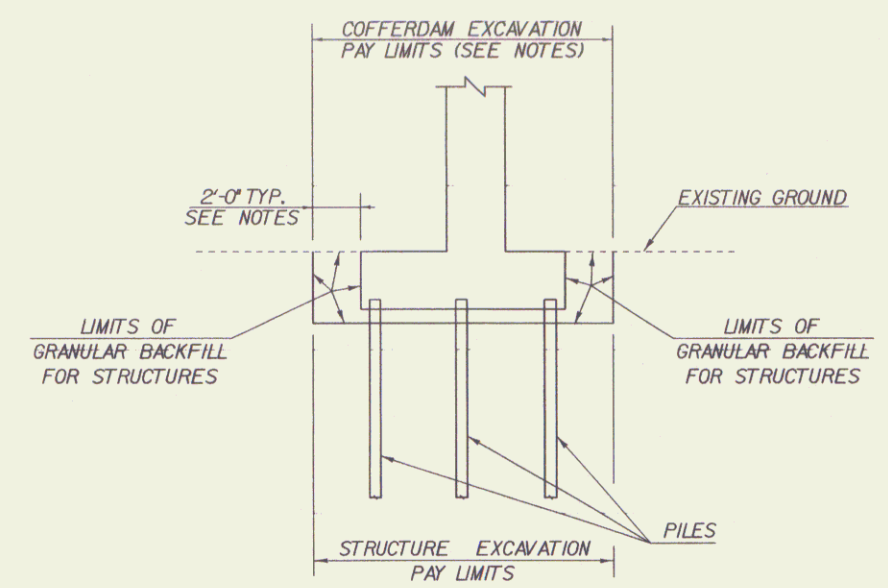
ABUTMENT 1 SECTION
(NOT TO SCALE)



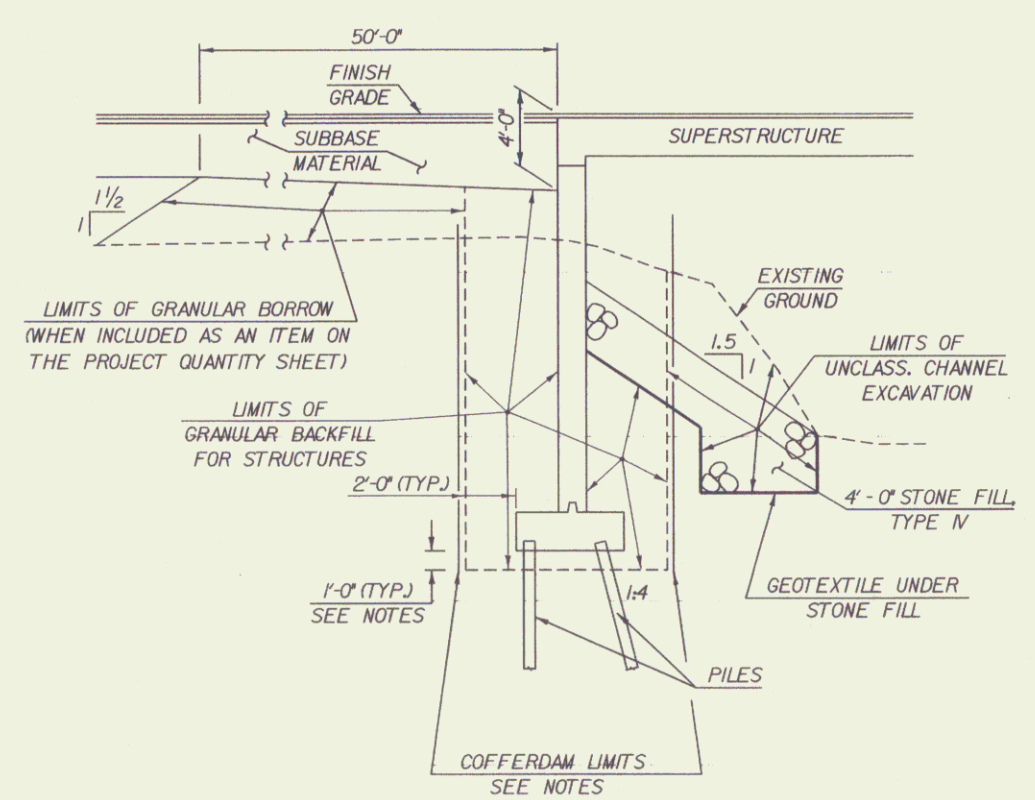
ABUTMENT 1 WING WALL 1&2
SUBFOOTING TYPICAL DETAIL
(NOT TO SCALE)



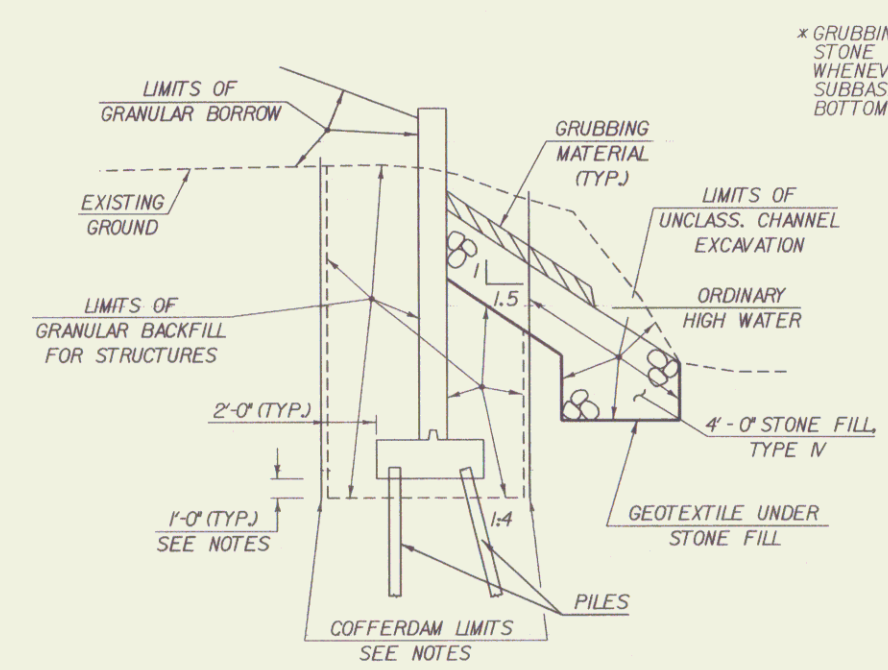
TYPICAL WINGWALL 1 & 2 SECTION
(NOT TO SCALE)



PIER EARTHWORK SECTION
(NOT TO SCALE)



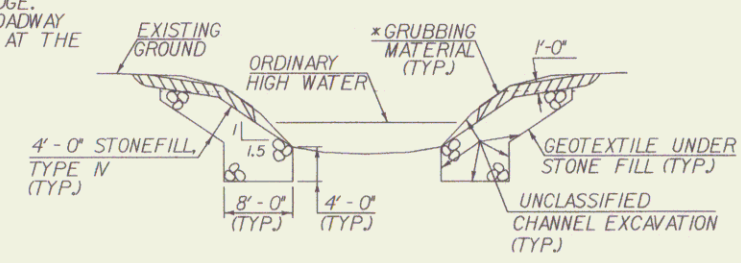
ABUTMENT 2 SECTION
(NOT TO SCALE)



TYPICAL WINGWALL SECTION 3&4
(NOT TO SCALE)

- NOTES**
1. COFFERDAM LIMITS TO BE DETERMINED BY THE CONTRACTOR.
 2. THE PAY LIMITS OF "COFFERDAM EXCAVATION, EARTH" AND "COFFERDAM EXCAVATION, ROCK" SHALL BE 2'-0" OUTSIDE THE PERIMETER OF THE FOOTING, UP TO EXISTING GROUND OR BOTTOM OF SUBBASE, WHICHEVER IS LOWER.
 3. ONE FOOT UNDERCUT AS DETERMINED NECESSARY BY THE RESIDENT ENGINEER.
 4. IF A COFFERDAM IS CONSTRUCTED WHICH IS LARGER THAN THE INDICATED COFFERDAM EXCAVATION PAY LIMITS, PAYMENT FOR ALL UNCLASSIFIED CHANNEL EXCAVATION, INCLUDING THAT PORTION WHICH IS INSIDE THE COFFERDAM BUT OUTSIDE THE COFFERDAM EXCAVATION PAY LIMITS, WILL BE MADE AT THE CONTRACT UNIT PRICE FOR UNCLASSIFIED CHANNEL EXCAVATION.

*GRUBBING MATERIAL SHALL NOT BE PLACED ON THE STONE FILL IN THE AREA UNDER THE BRIDGE. WHENEVER CHANNEL SLOPE INTERSECTS ROADWAY SUBBASE, GRUBBING MATERIAL SHALL BEGIN AT THE BOTTOM OF SUBBASE.



TYPICAL CHANNEL SECTION
(NOT TO SCALE)

TYPICAL SECTIONS SHEET 3

PROJECT NAME:	MORETOWN-MIDDLESEX
PROJECT NUMBER:	BRS 0284(14)
FILE NAME:	/78f219/str/sf219frm.dgn
PROJECT LEADER:	M. EVANS-MONGEON
DESIGNED BY:	S. SCRIBNER
PLOT DATE:	03-JUN-2008
DRAWN BY:	G. ROKES
CHECKED BY:	S. SCRIBNER
ROW SHEET:	11 OF 20