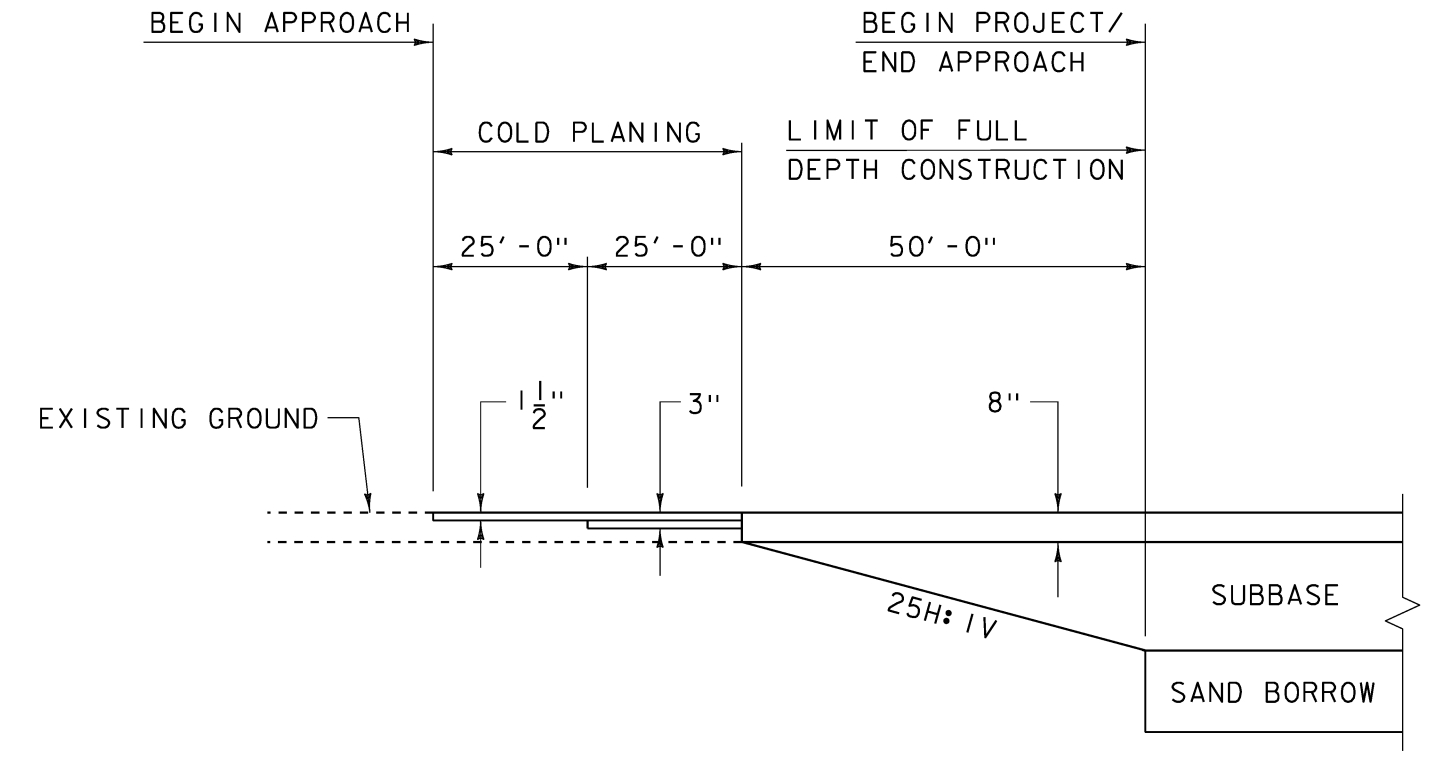
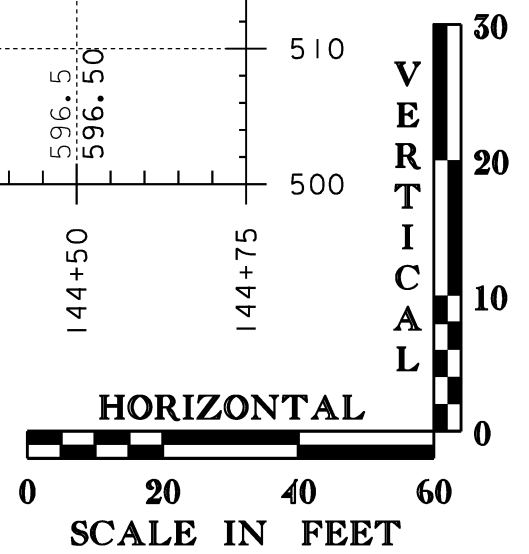


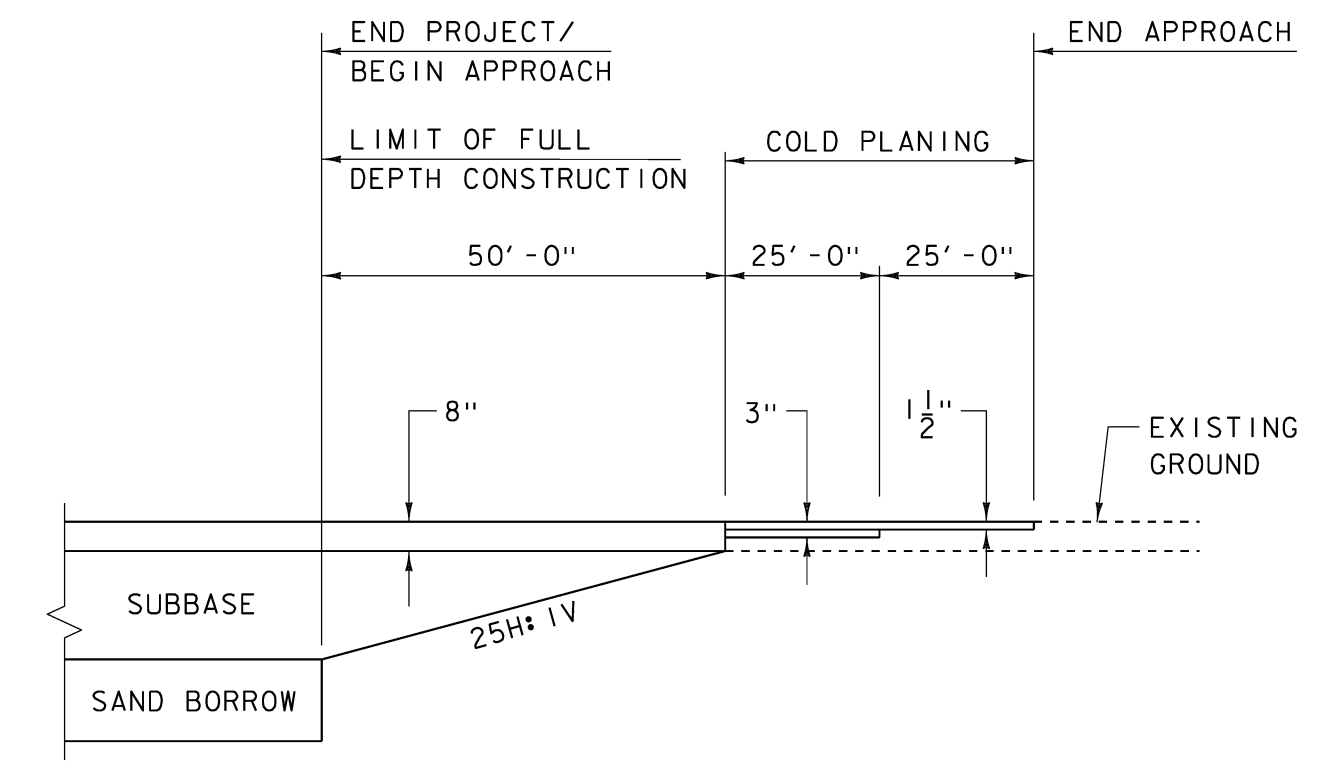
549.0
552.09
552.5
554.84
556.1
557.74
559.7
560.79
563.4
564.00
566.9
567.36
570.6
570.88
574.2
574.53
577.8
578.19
581.5
581.85
585.3
585.51
589.1
589.17
592.8
592.83
596.5
596.50

VT 125 PROFILE

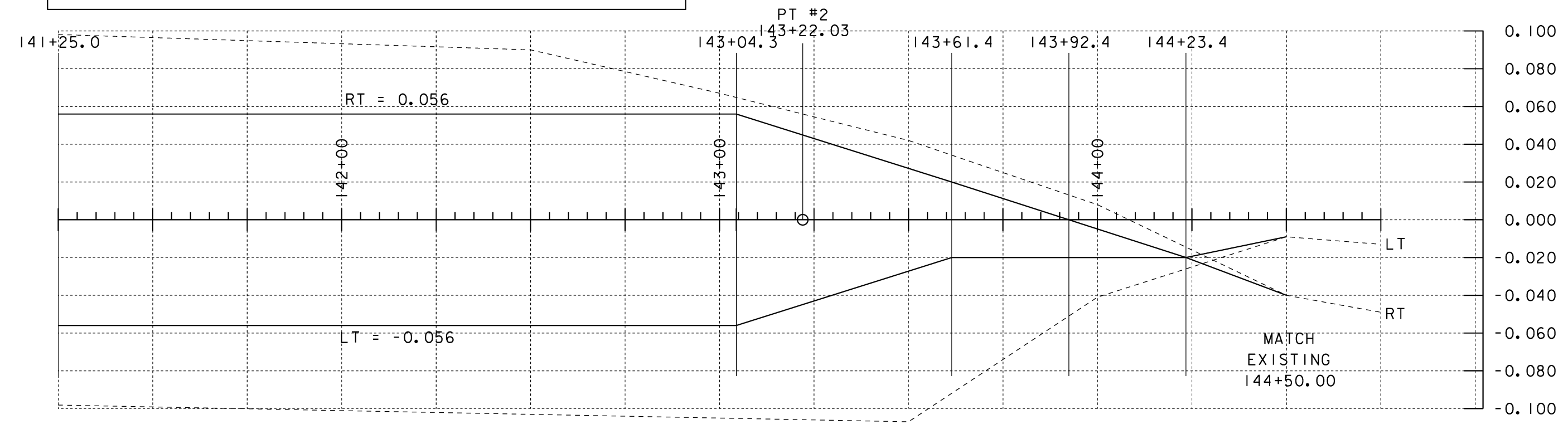
THE GRADES SHOWN TO THE NEAREST TENTH ARE THE ORIGINAL GROUND ELEVATIONS ALONG THE PROPOSED ALIGNMENT.
THE GRADES SHOWN TO THE NEAREST HUNDREDTH ARE THE FINISH GRADES ALONG THE PROPOSED ALIGNMENT.



SUBBASE TAPER @ BEGIN PROJECT



SUBBASE TAPER @ END PROJECT



BANKING DIAGRAM

HORIZONTAL SCALE 1"=20'
VERTICAL SCALE 1"= 0.040 FT/FT

PROJECT NAME: MIDDLEBURY	PLOT DATE: 01-NOV-2012
PROJECT NUMBER: RS 0174(8)	DRAWN BY: B.J. MASSE
FILE NAME: r78f217pro.dgn	DESIGNED BY: D.M. PECK
PROJECT LEADER: J. FINCH	CHECKED BY: G.L. BAKOS
PROFILE & BANKING DIAGRAM 2 OF 2	SHEET 12 OF 21