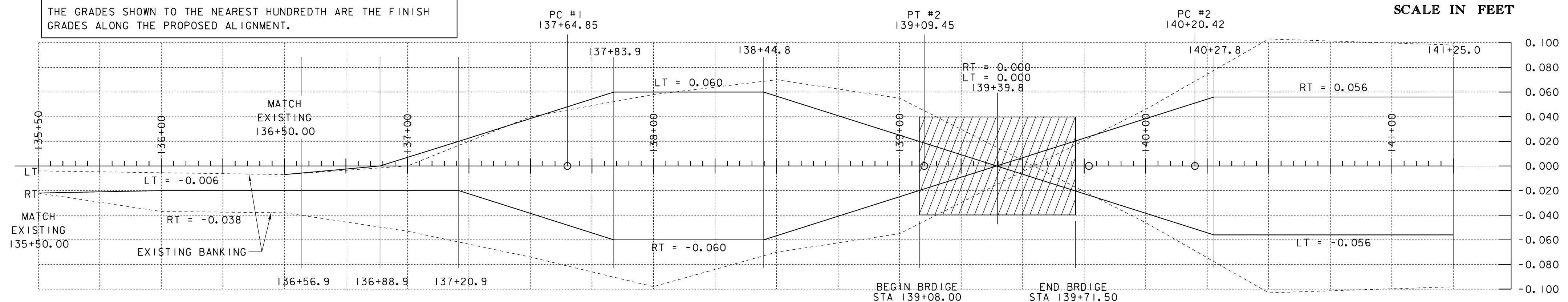
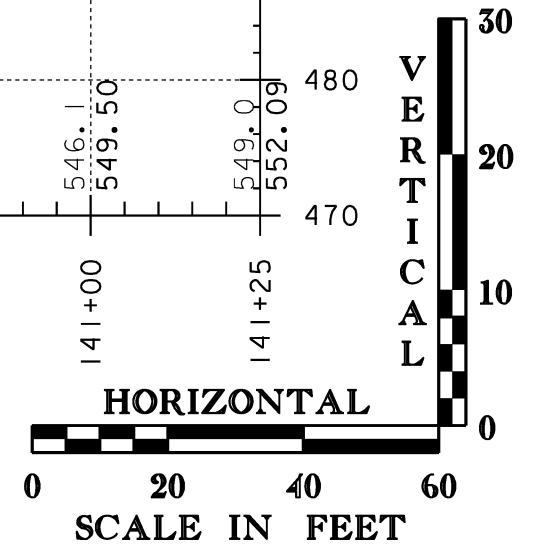


VT 125 PROFILE

THE GRADES SHOWN TO THE NEAREST TENTH ARE THE ORIGINAL GROUND ELEVATIONS ALONG THE PROPOSED ALIGNMENT.

THE GRADES SHOWN TO THE NEAREST HUNDREDTH ARE THE FINISH GRADES ALONG THE PROPOSED ALIGNMENT.



BANKING DIAGRAM
 HORIZONTAL SCALE 1"=20'
 VERTICAL SCALE 1"= 0.040 FT/FT

PROJECT NAME: MIDDLEBURY	FILE NAME: r78f217pro.dgn	PLOT DATE: 01-NOV-2012
PROJECT NUMBER: RS 0174(8)	PROJECT LEADER: J. FINCH	DRAWN BY: B.J. MASSE
	DESIGNED BY: D.M. PECK	CHECKED BY: G.L. BAKOS
	PROFILE & BANKING DIAGRAM 1 OF 2	SHEET 11 OF 21