

GENERAL NOTES

- SEED: TO BE APPLIED PER SEEDING FORMULAS OR AS DIRECTED BY THE ENGINEER.
- FERTILIZER: FORMULA 10-20-10, TO BE USED WITH SEED, APPLIED AT THE RATE OF 500 LBS./ACRE. (HYDRO SEEDERS MAY USE 19-19-19 FORMULA).
- AGRICULTURAL LIMESTONE: TO BE APPLIED AT THE RATE OF 2 TONS/ACRE, OR AS DIRECTED BY THE ENGINEER.
- MARKER POSTS: TO BE PLACED AS INDICATED OR AS DIRECTED BY THE ENGINEER.
- SLOPE ROUNDING: ALL CUT SLOPES TO BE ROUNDED IN ACCORDANCE WITH STANDARD SHEET B - 5.
- PAY LIMITS OF SAND BORROW: WHEN USED IN CONJUNCTION WITH UNDERDRAIN - SEE STANDARD SHEET D - 2.
- TACK COAT: EMULSIFIED ASPHALT IS TO BE APPLIED AT THE RATE OF 0.015 GAL/SY BETWEEN SUCCESSIVE COURSES OF NEW PAVEMENT AND ON COLD PLANED SURFACES AS DIRECTED BY THE ENGINEER.

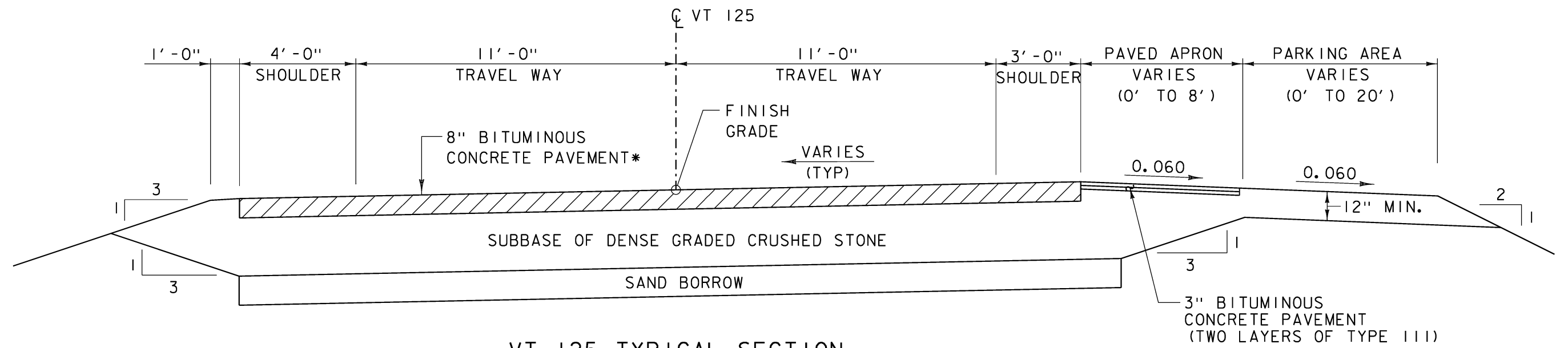
MATERIAL TOLERANCES

(IF USED ON PROJECT)

SURFACE	TOLERANCE
- PAVEMENT (TOTAL THICKNESS)	+/- 3/4"
- AGGREGATE SURFACE COURSE	+/- 1/2"
SUBBASE	+/- 1"
SAND BORROW	+/- 1"

- * 1 1/2" BITUMINOUS CONCRETE PAVEMENT (TYPE III)
- 1 1/2" BITUMINOUS CONCRETE PAVEMENT (TYPE III)
- 2 1/2" BITUMINOUS CONCRETE PAVEMENT (TYPE II)
- 2 1/2" BITUMINOUS CONCRETE PAVEMENT (TYPE II)
- 2'-0" SUBBASE OF DENSE GRADED CRUSHED STONE
- 1'-0" SAND BORROW

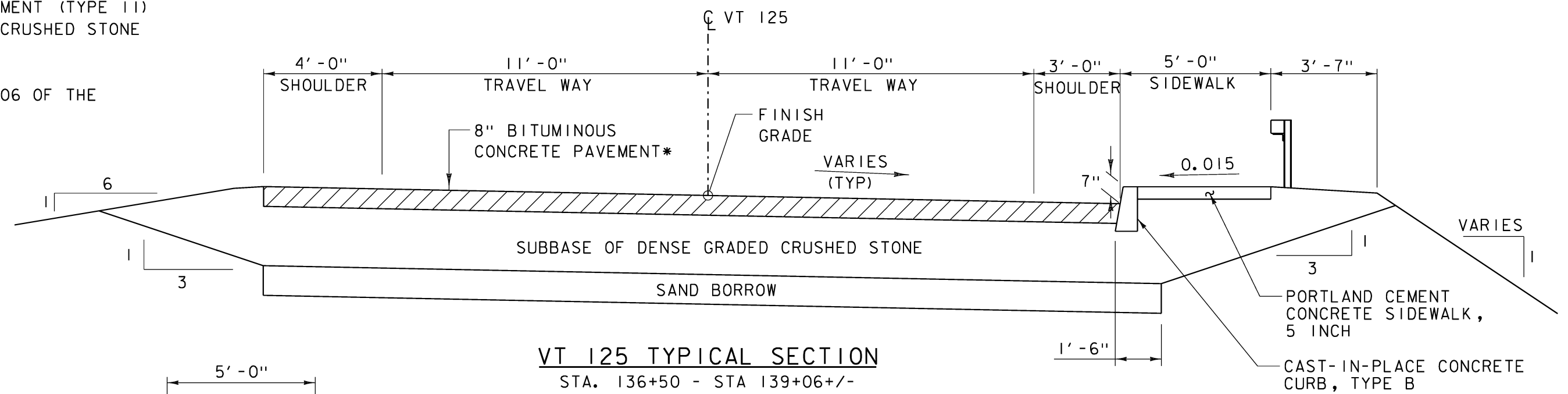
PG BINDER GRADE: SEE SECTION 406 OF THE GENERAL SPECIAL PROVISIONS



VT 125 TYPICAL SECTION

STA. 140+06 - STA 142+25

SCALE 3/8" = 1'-0"

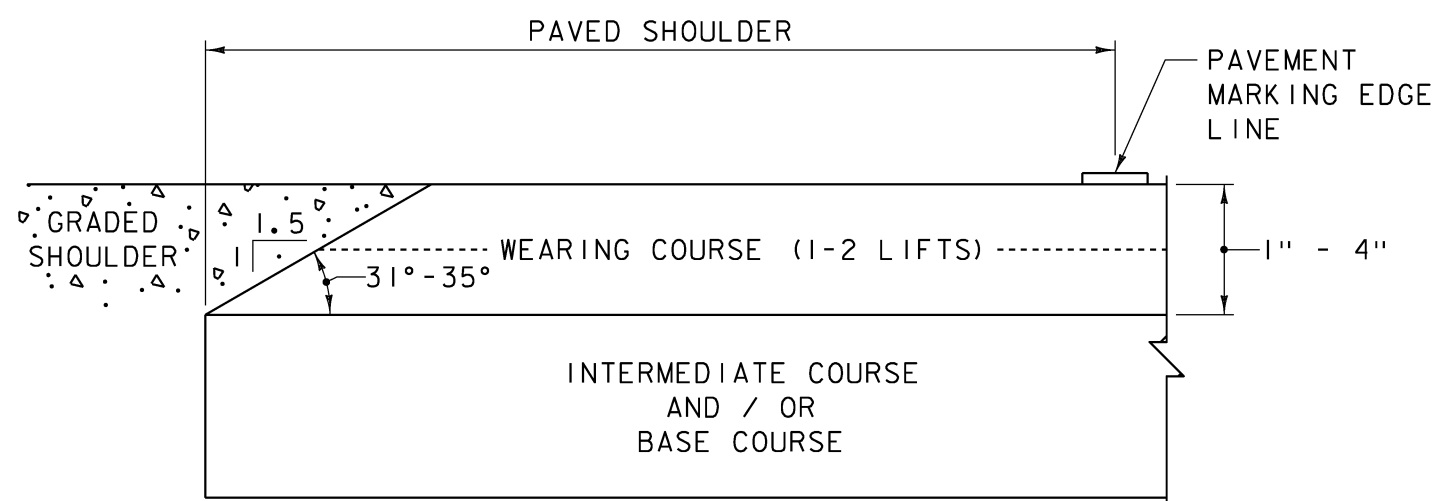


VT 125 TYPICAL SECTION

STA. 136+50 - STA 139+06 +/-

STA. 142+25 - STA 143+50

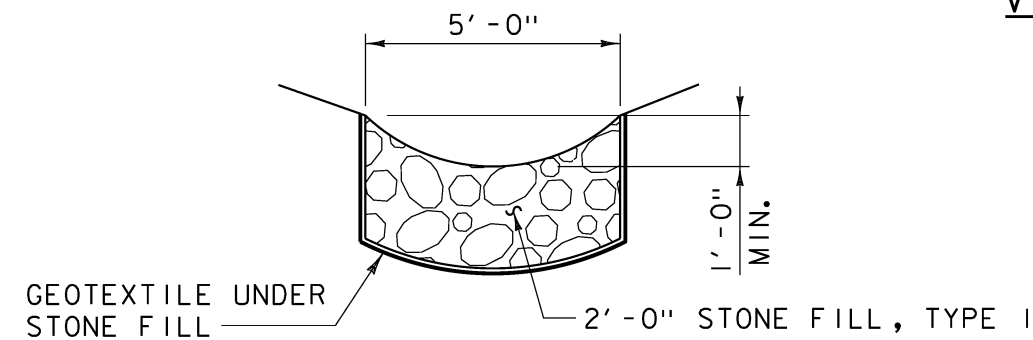
SCALE 3/8" = 1'-0"



NOTE: COST FOR FORMING AND COMPACTING SAFETY EDGE SHALL BE INCIDENTAL TO ITEM 406.25, "BITUMINOUS CONCRETE PAVEMENT".

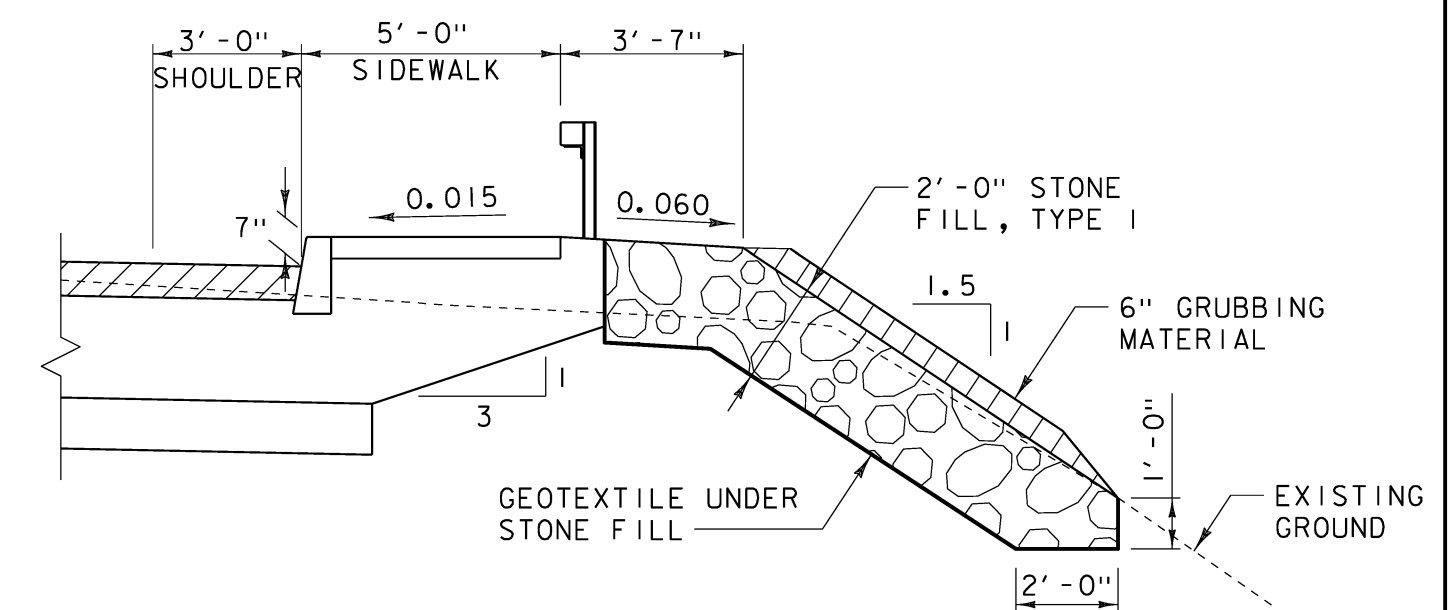
SAFETY EDGE DETAIL

NOT TO SCALE



SWALE/DITCH DETAIL

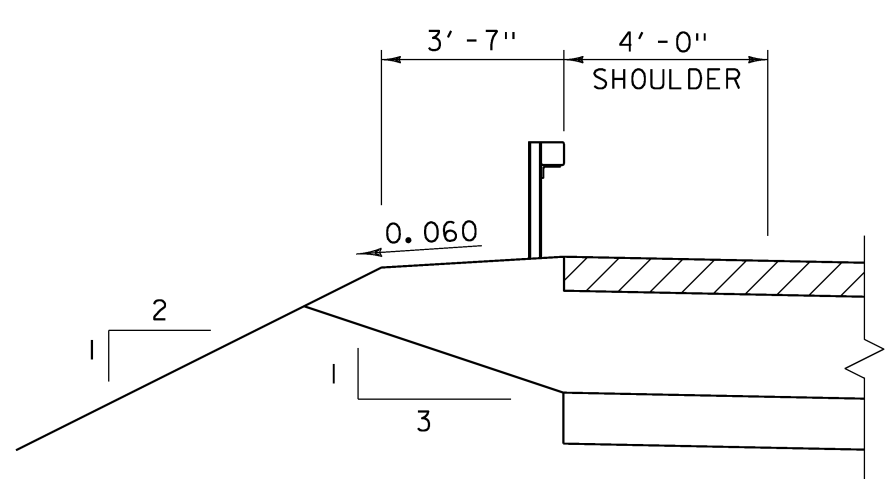
STA. 140+00 - 140+75 RT.
NOT TO SCALE



VT 125 TYPICAL 1:1.5 SLOPE SECTION

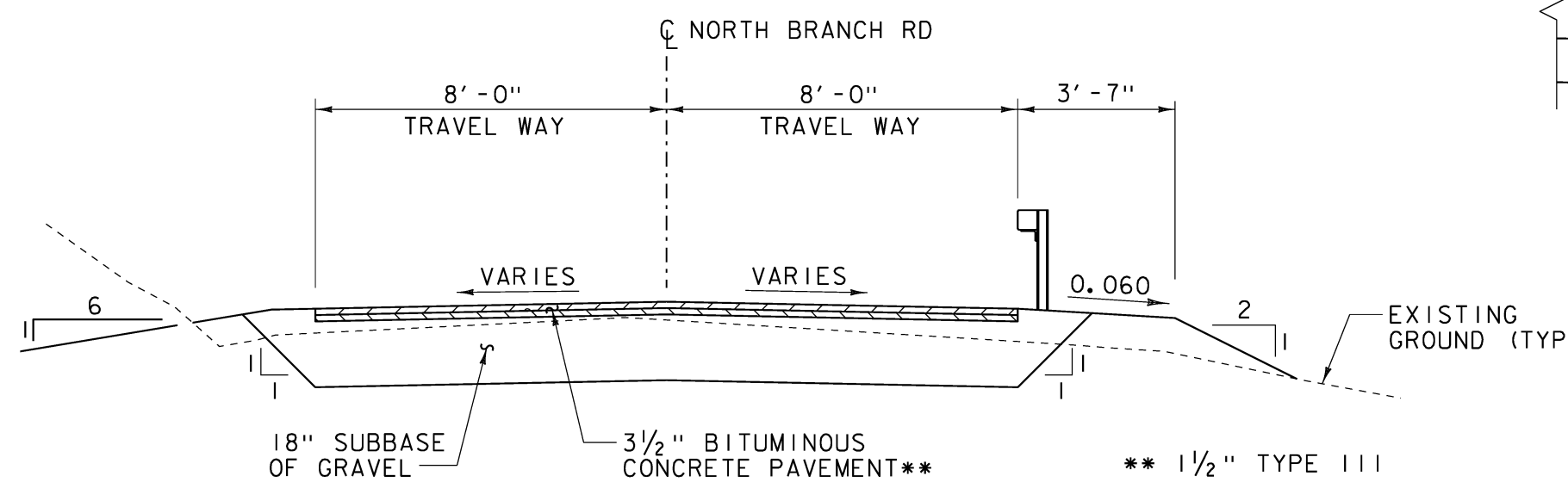
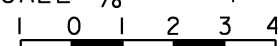
STA. 138+00 - 139+00

SCALE 3/8" = 1'-0"



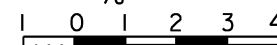
VT 125 TYPICAL GUARDRAIL SECTION

SCALE 3/8" = 1'-0"



NORTH BRANCH ROAD TYPICAL SECTION

SCALE 3/8" = 1'-0"



PROJECT NAME: MIDDLEBURY
PROJECT NUMBER: RS 0174(8)

FILE NAME: r78f217+yp.dgn
PROJECT LEADER: J. FITCH
DESIGNED BY: D.M. PECK
TYPICAL ROADWAY SECTIONS

PLOT DATE: 01-NOV-2012
DRAWN BY: B.J. MASSE
CHECKED BY: G.L. BAKOS
SHEET 7 OF 21