

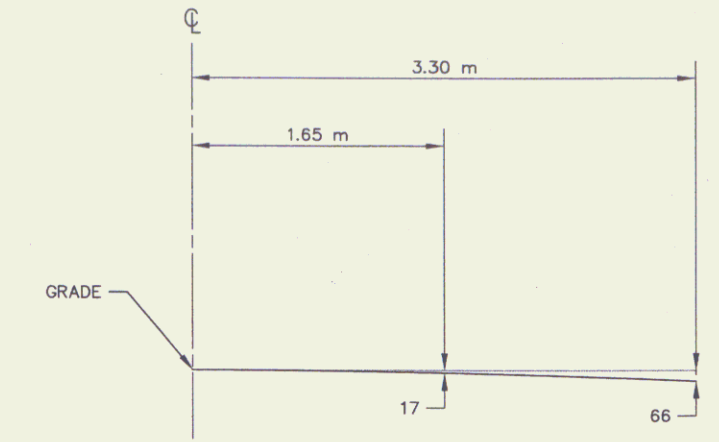
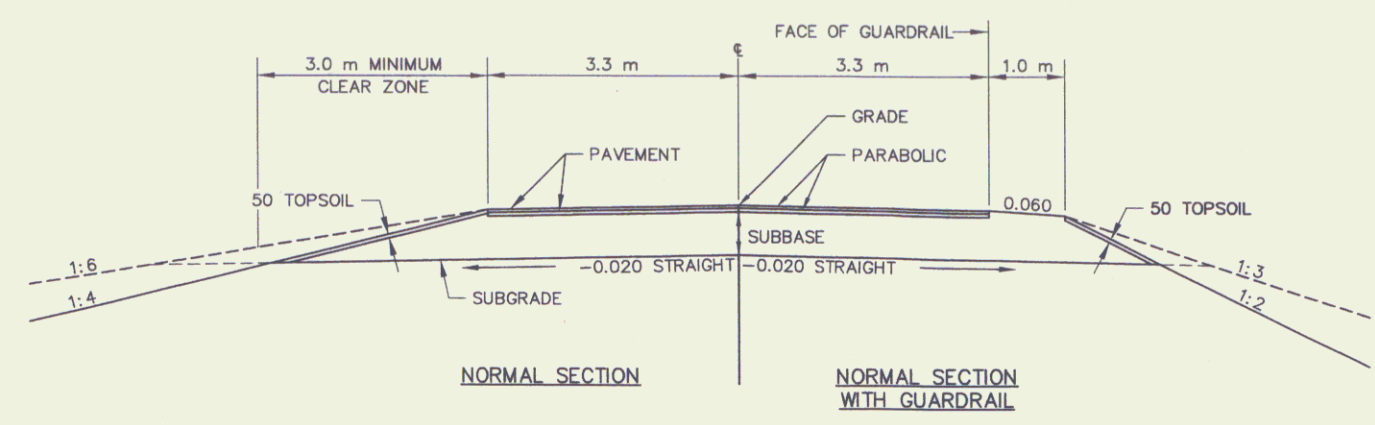
MATERIAL ITEM	THICKNESS	TOLERANCE
PAVEMENT(TOTAL DEPTH ALL LAYERS)	± 5	
SUBBASE	± 30	
SAND BORROW	± 30	



TYPICAL SECTION (TH 41 & 43)

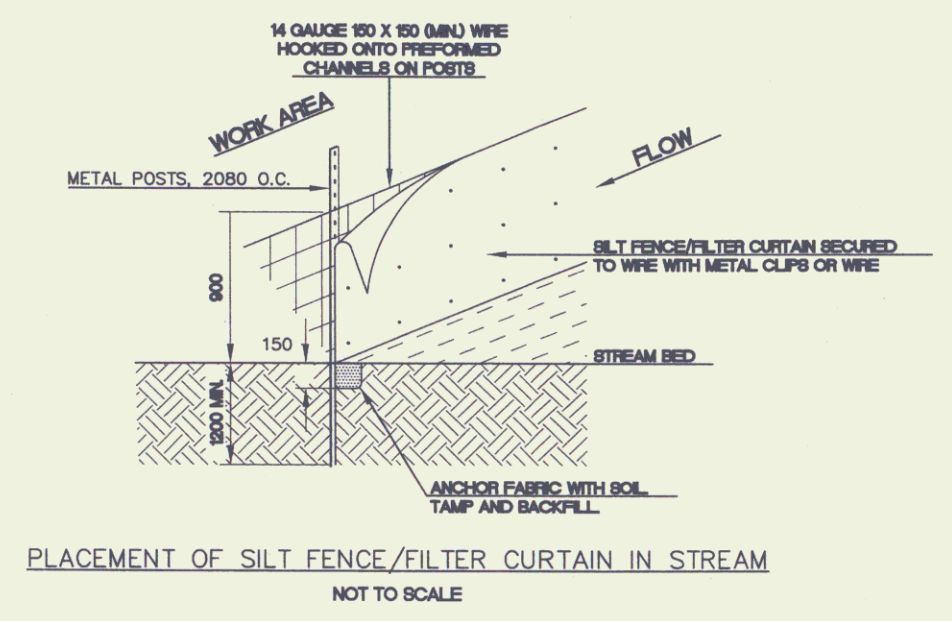
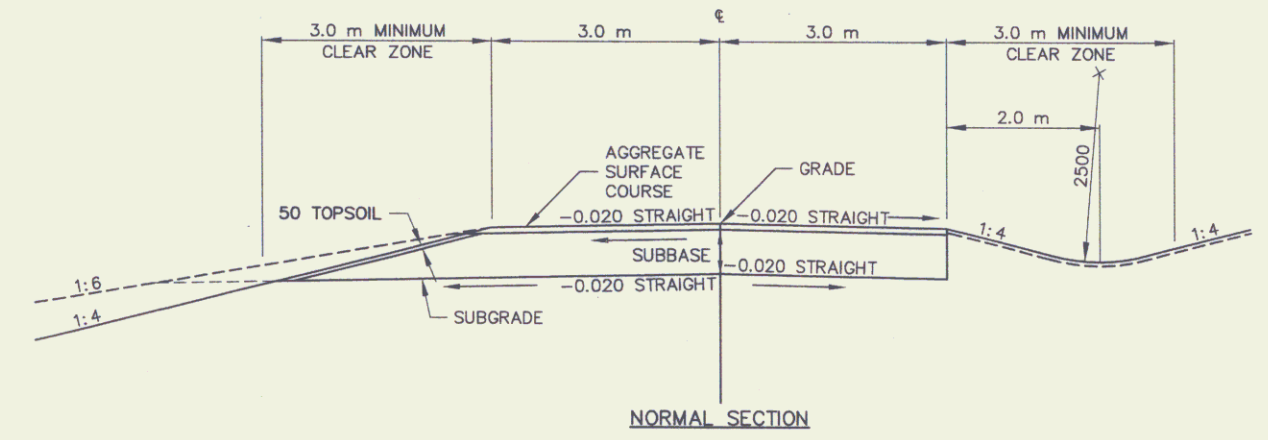
- 40 BITUMINOUS CONCRETE PAVEMENT (TYPE III) } (STA 0+104.8 TO 0+115.3 TH 41)
- 50 BITUMINOUS CONCRETE PAVEMENT (TYPE II) } (STA 0+204.8 TO 0+215.3 TH 43)
- 460 SUBBASE OF DENSE GRADED CRUSHED STONE

- 80 AGGREGATE SURFACE COURSE } (STA 0+115.3 TO 0+200 TH 41)
- 460 SUBBASE OF DENSE GRADED CRUSHED STONE } (STA 0+215.3 TO 0+320 TH 43)



TYPICAL SECTION (TH 56)

- 80 AGGREGATE SURFACE COURSE
- 460 SUBBASE OF DENSE GRADED CRUSHED STONE



ALL DIMENSIONS IN MILLIMETERS EXCEPT AS INDICATED

SURVEYED BY	CLD	DATE	10/94
DRAWN BY	SMC	DATE	1/95
SQUAD LEADER	JAW		
DESIGN FILE NO.	90284		
IPARM FILE		DATE PLOTTED	
PROJ. NAME	JAMAICA		
PROJ. NO.	BRF 013-1(8)		

ROW SHEET 3 OF 23 SHEETS