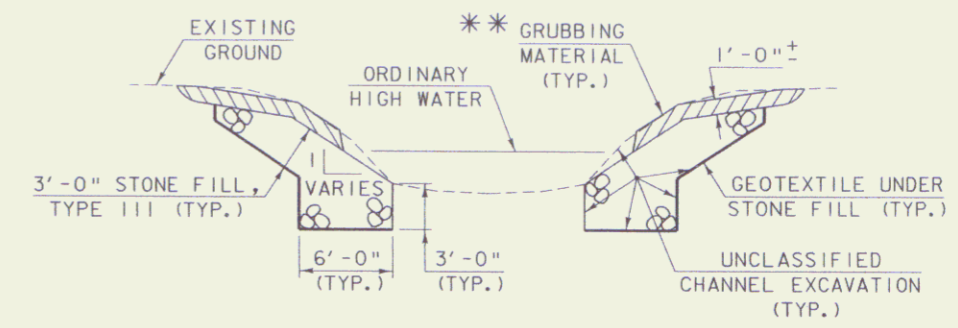


TYPICAL BRIDGE SECTION

SCALE 1/4" = 1'-0"



CHANNEL TYPICAL SECTION

NOT TO SCALE

** GRUBBING MATERIAL SHALL NOT BE PLACED ON THE STONE FILL IN THE AREA UNDER THE BRIDGE. WHENEVER CHANNEL SLOPE INTERSECTS ROADWAY SUBBASE, GRUBBING MATERIAL SHALL BEGIN AT THE BOTTOM OF SUBBASE.

TYPICAL SECTIONS
 BRIDGE

SEP 16 2008

PROJECT NAME: CASTLETON	PLOT DATE: 05-JUL-2005
PROJECT NUMBER: RS 0142(10)	DRAWN BY: T. LACKEY
FILE NAME: s:f193t.xl1	DESIGNED BY: T. LACKEY
PROJECT LEADER: R. WHITCOMB	CHECKED BY:
78F193/str/sf193xsl.dgn	ROW SHEET 3 OF 14