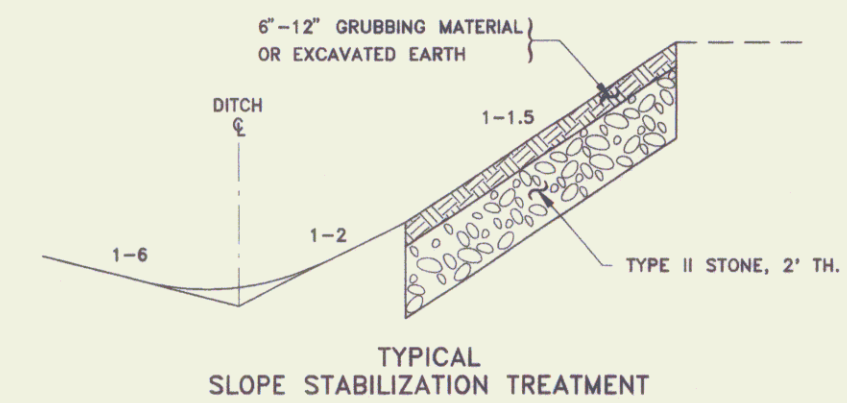
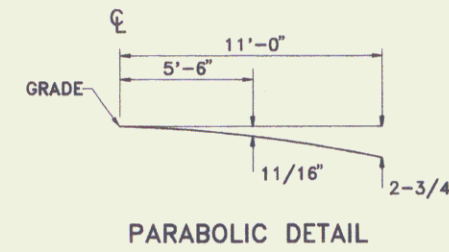
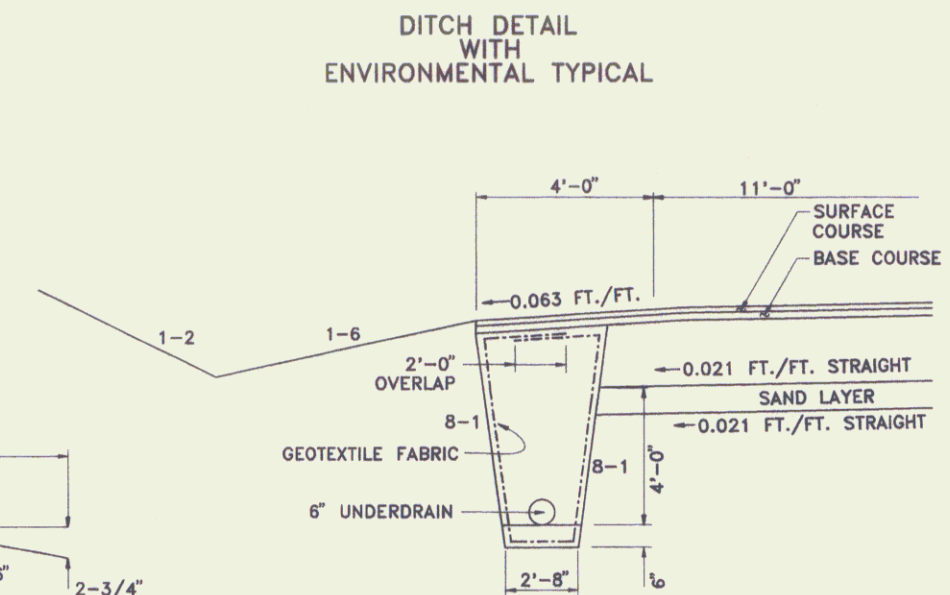
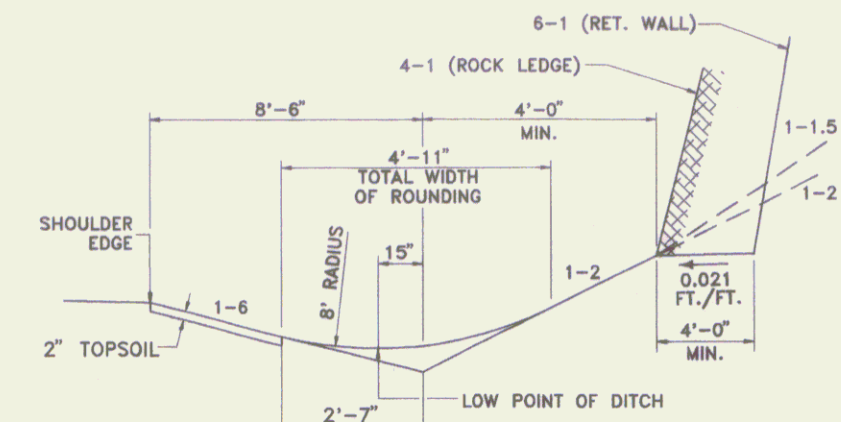
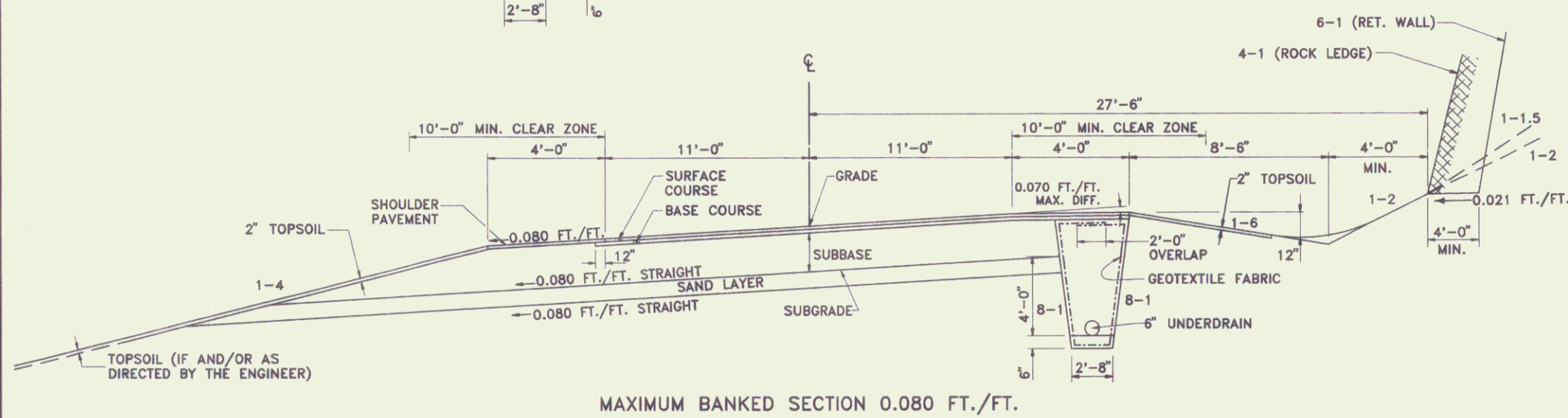
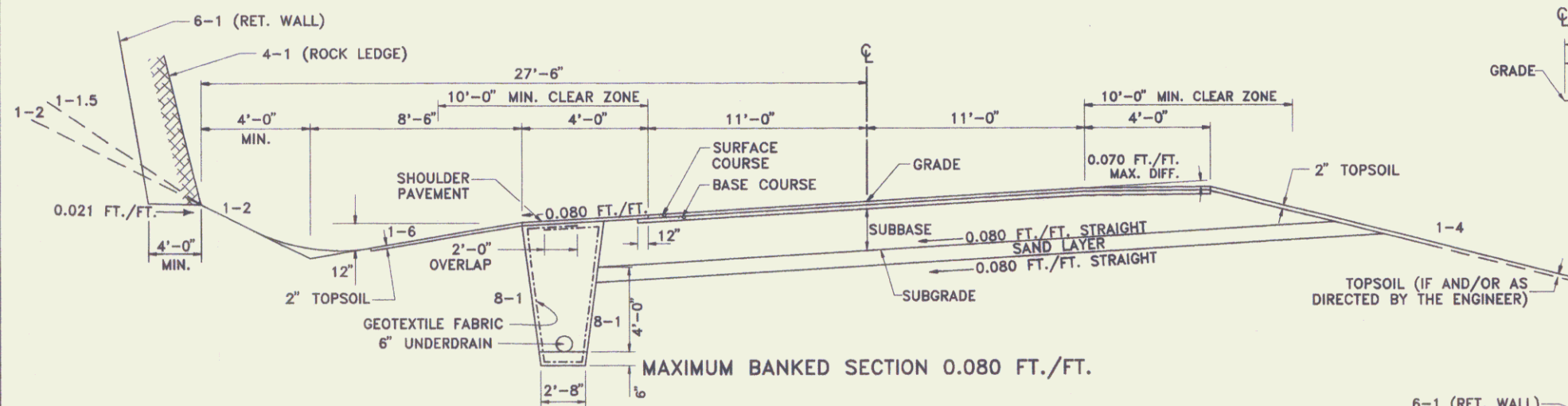
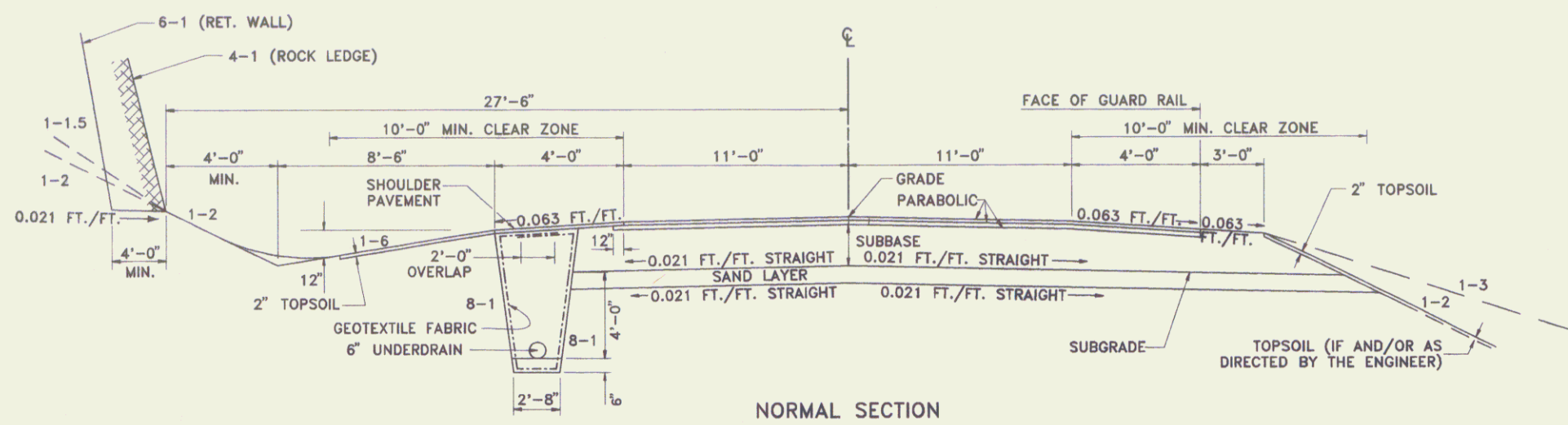


ENVIRONMENTAL TYPICAL

(TO BE UTILIZED IN ALL EXCAVATION AREAS)

MATERIAL ITEM	THICKNESS TOLERANCE
PAVEMENT	± 1/4" (PER TOTAL THICKNESS)
SUBBASE	± 1/2"
SAND BORROW	± 1"

1-1/4"	BITUMINOUS CONCRETE PAVEMENT (TYPE III)	406.25
1-3/4"	BITUMINOUS CONCRETE PAVEMENT (TYPE II)	406.25
2"	BITUMINOUS CONCRETE PAVEMENT (TYPE I)	406.25
18"	SUBBASE OF CRUSHED GRAVEL (COARSE GRADED)	501.25
12"	SAND BORROW	203.31
3"	BITUMINOUS CONCRETE PAVEMENT	406.25
0" - 18"	ADDITIONAL SAND BORROW: TO BE PLACED AS SHOWN ON THE PLANS OR AS DIRECTED BY THE ENGINEER	



NOTE:
12" GRUBBING MATERIAL SHALL BE USED FIRST ON RELOCATED STREAM BANKS, AND THEN ON STONE SLOPE STABILIZATION (BACKSLOPES). THE REMAINDER OF STONE SLOPE STABILIZATION SHALL BE COVERED WITH 12" OF EXCAVATED EARTH, AND SEEDS.

VT. SURVEY
SURVEYED BY CONSULTANTS DATE SEPT. 1989
DRAWN BY BRYANT ASSOC. P.C. DATE NOV. 1990
TRACED BY _____ DATE _____
VT. RTE. 100
READSBORO-WHITINGHAM
PROJ. RS NO. 0102(13)
R.O.W. SHEET 3 OF 19