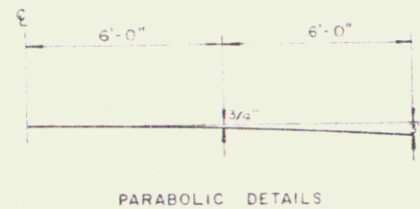


TYPICAL SECTIONS



3" BITUMINOUS CONCRETE PAVEMENT, ITEM 406.25, PLACED IN TWO 1-1/2" COURSES
 5" PLANT MIXED BASE COURSE, ITEM 303.25 (PLACED IN TWO 2-1/2" COURSES)
 SHOULDERS: 1-1/2" BITUMINOUS CONCRETE PAVEMENT ITEM 406.25
 24" SUBBASE OF GRAVEL, ITEM 301.15

0'-24" SAND BORROW (IN CUT) ITEM 203.31
 0'-12" GRANULAR BORROW (IN FILL) ITEM 203.32] TO BE PLACED AS NOTED ON THE PLANS OR AS DIRECTED BY THE ENGINEER.

GENERAL NOTES

SEED, ITEM 651.10 TO BE APPLIED AS DIRECTED BY THE ENGINEER			
%WT	LBS/A	NAME	PUR% GERM%
3.33	2	CROWN VETCH	97 75
50.00	30	CREeping RED FESCUE	90 85
8.33	5	TIMOTHY	99 85
16.67	10	PERENNIAL RYE GRASS (VAR. PENNFINE)	95 85
8.34	5	ALFALFA (VAR. SARANAC)	99 85
8.33	5	BROSFoot TREFOIL (VAR. EMPRE)	98 85
5.00	3	HIGHLAND BENT GRASS	92 85
100.00	60	LBS/ACRE	

THE SEED MIXTURE SHALL NOT HAVE A WEED CONTENT EXCEEDING 0.40% BY WEIGHT AND SHALL BE FREE OF ALL NOXIOUS WEED SEED.

MARKER POSTS, (WOOD OR STEEL AS SPECIFIED) TO BE PLACED AS DIRECTED BY THE ENGINEER

FERTILIZER, ITEM 651.15
 FORMULA 10-20-10 TO BE USED WITH SEED, ITEM 651.10 APPLIED AT THE RATE OF 500 LBS/ACRE

AGRICULTURAL LIMESTONE, ITEM 651.20 TO BE APPLIED AT RATE OF 2 TONS/ACRE OR AS DIRECTED BY THE ENGINEER

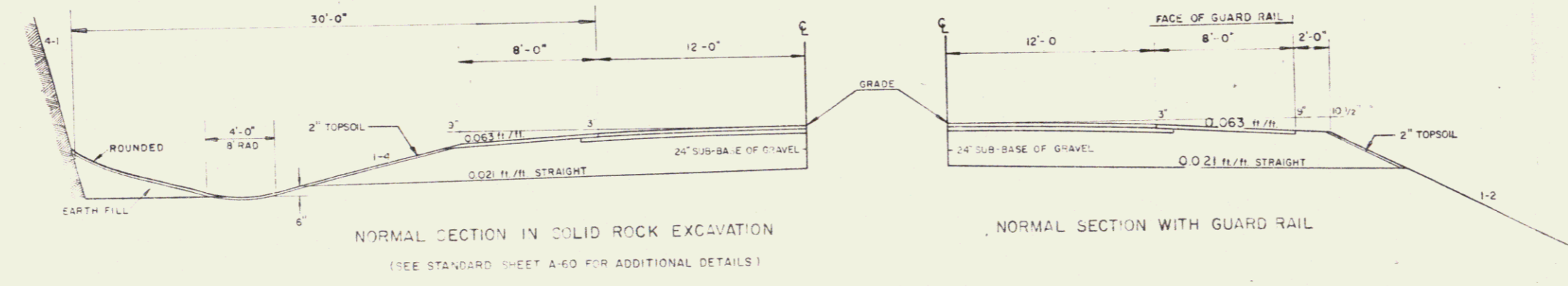
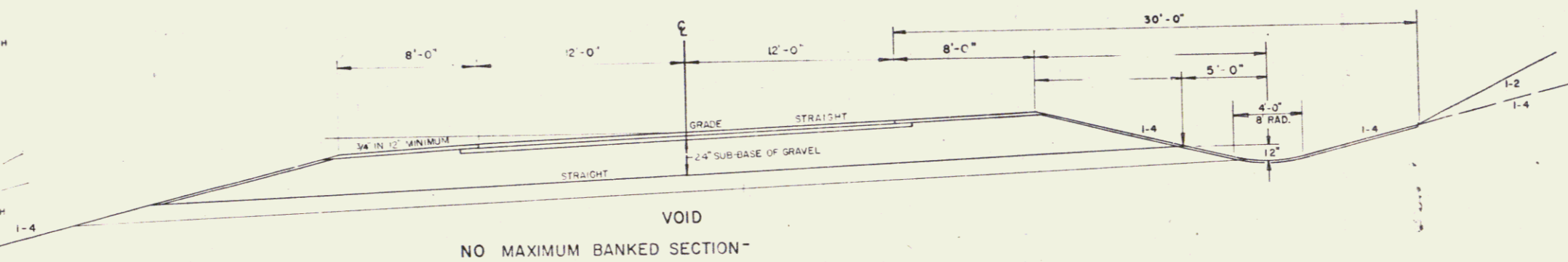
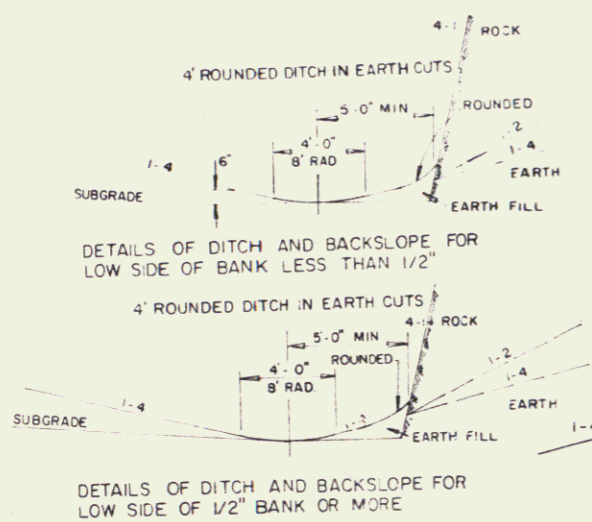
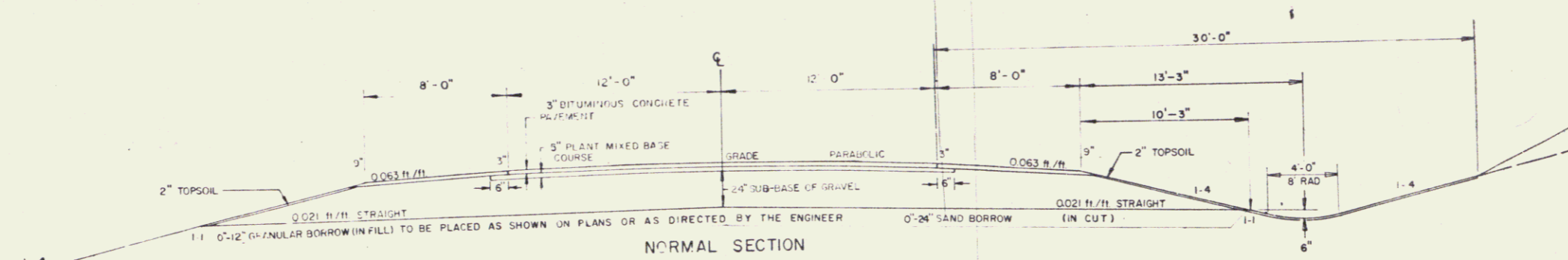
HAY MULCH, ITEM 651.25 TO BE PLACED ON EARTH SLOPES AT THE RATE OF 2 TONS/ACRE

TOPSOIL, ITEM 653.10 TO BE USED WITH SEED, ITEM 651.10 IN RESIDENTIAL AREAS, AS DIRECTED BY THE ENGINEER

SEE STANDARD SHEET B-5 FOR TYPICAL SLOPE ROUNDING
 SEE STANDARD SHEET D-2 FOR PAY LIMITS OF SAND BORROW WHEN USED IN CONJUNCTION WITH UNDERDRAIN

ALLOWABLE THICKNESS TOLERANCES

SUB-BASE	± 1"
CONTROLLED MATERIAL	± 1"
PAVEMENT	± 1/4"
BASE COURSE	± 1/2"



TOWN OF BRANDON

STATE OF VERMONT
 DEPARTMENT OF HIGHWAYS

DRAWN BY CE Hurley TRACED BY Laufman
 PROJ. N^o FR 019-3(22) SHEET 2 OF 5