

INDEX OF SHEETS

1. TITLE SHEET
2. QUANTITY SHEET
3. R.O.W. DETAIL SHEET
4. R.O.W. PLAN SHEET
5. PLAN AND PROFILE
9. BRIDGE PLAN AND ELEVATION
10. SUPERSTRUCTURE DETAILS
11. ABUTMENT DETAILS
12. REINFORCING SCHEDULE
- DIS. MAINLINE SECTIONS
10. CH. CHANNEL SECTIONS

STANDARDS

20. E-3	12-15-76 (R)
21. E-7	2-12-82 (R)
22. E-7a	6-5-77 (R)
23. G-1	12-16-80 (R)
24. G-1d	12-16-80 (R)
25. SB-RG-82	
26. SB-D-75	9-14-81 (R)
27. T-1	12-7-74 (R)
28. T-2	7-5-78

- GENERAL NOTES**
1. SEE STD. SB-D-75 FOR ADDITIONAL GENERAL NOTES
 2. DESIGN LOADING IS HS-20
 3. THE ONE-WAY TEMPORARY BRIDGES SHALL MEET THE REQUIREMENTS OF SECTION 638 AND THOSE LISTED BELOW.
 4. SEEDING, MULCHING, AND OTHER EROSION CONTROL ITEMS SHALL BE SUBSIDIARY TO ALL OTHER CONTRACT ITEMS.
 5. THE EXISTING STEEL BEAMS SHALL BE STOCKPILED ON THE PROJECT SITE AND REMAIN THE PROPERTY OF THE AGENCY OF TRANSPORTATION, DISTRICT 2.
 6. WATER REPELLENT SHALL BE APPLIED TO ALL EXPOSED CONCRETE SURFACES EXCEPT BENEATH THE DECK BETWEEN THE DRIP NOTCHES.

- TEMPORARY BRIDGE REQUIREMENTS**
1. 10'-6" BRIDGE, HW 92.93+67
 2. 5'-8" COMPRA, HW 92.93+74
 3. 5'-8" 2" x 5" COMPRA, HW 92.93+70
 4. STRUCTURES W/A TOTAL MINIMUM WATERWAY OF 140 SQ. FT. BELOW A HEIGHT OF 7'.

CONVENTIONAL SIGNS

COUNTY LINE	---
TOWN LINE	- - - -
LIMITS OF ACCESS	○-○
POINT OF ACCESS	X
FENCE LINE	=====
STONE WALL	-----
TRAVELED WAY
RAILROAD	====
SURVEY LINE	---
CULVERT	-----
POWER POLE	○
TELEPHONE POLE	○
TREES	○ X
CONTROL OF ACCESS	
PROPERTY LINE	---
R.O.W. TAKING LINE	---
SLOPE RIGHTS	○-○
TOP OF CUT	○
TOP OF SLOPE	○

DATUM

VERTICAL	Assumed
HORIZONTAL	N/A

STATE OF VERMONT
AGENCY OF TRANSPORTATION

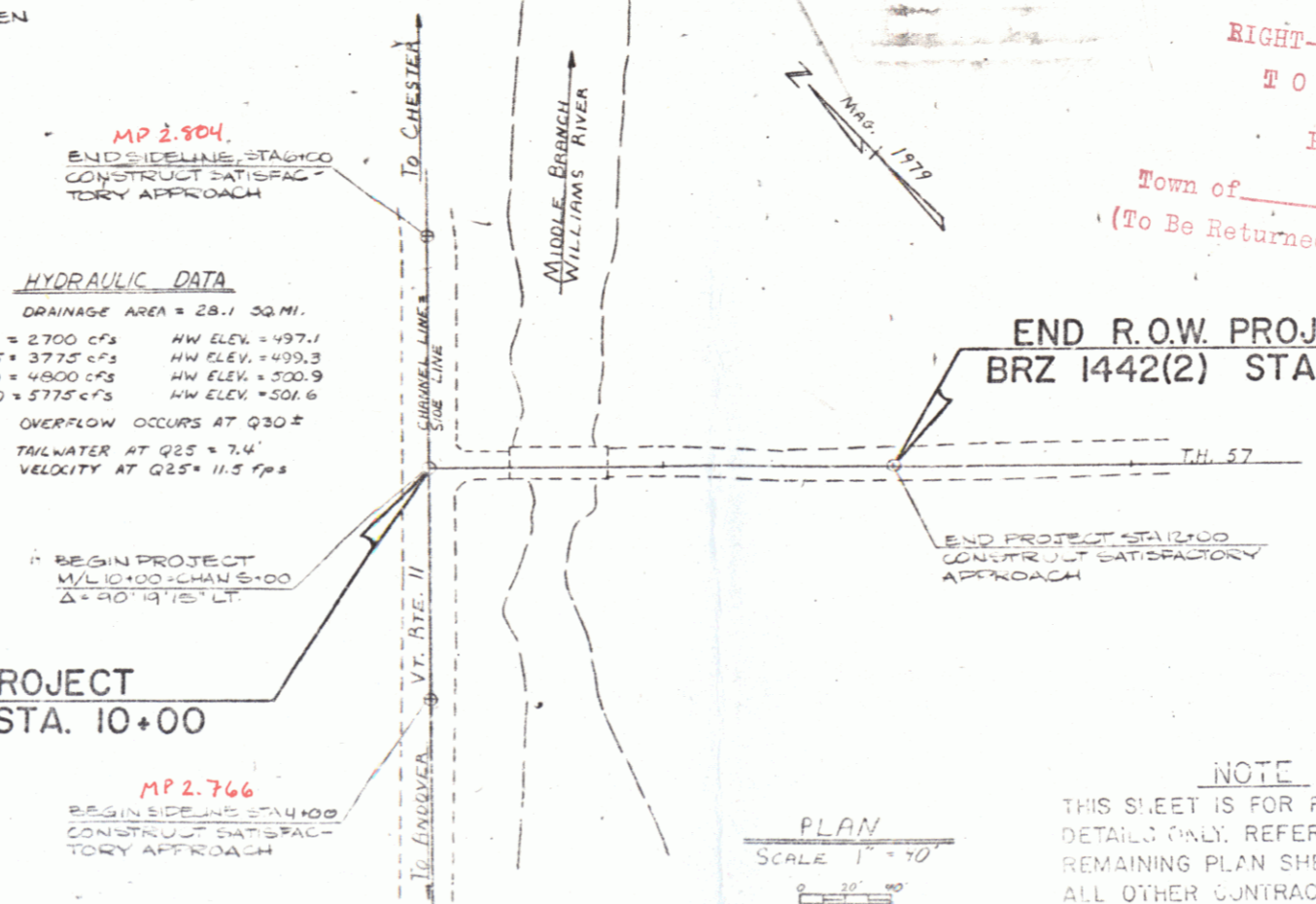
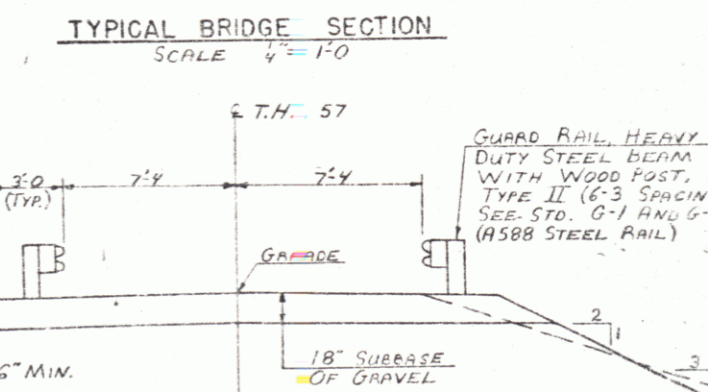
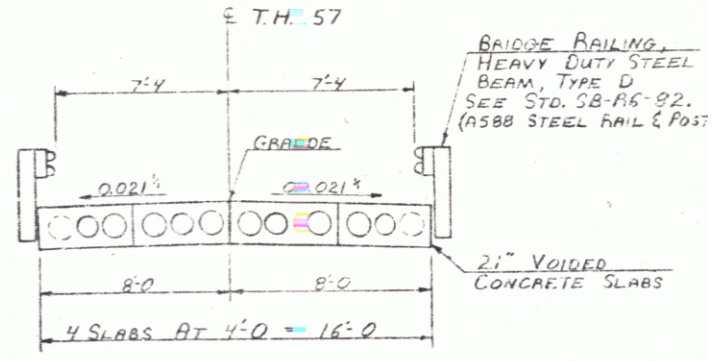
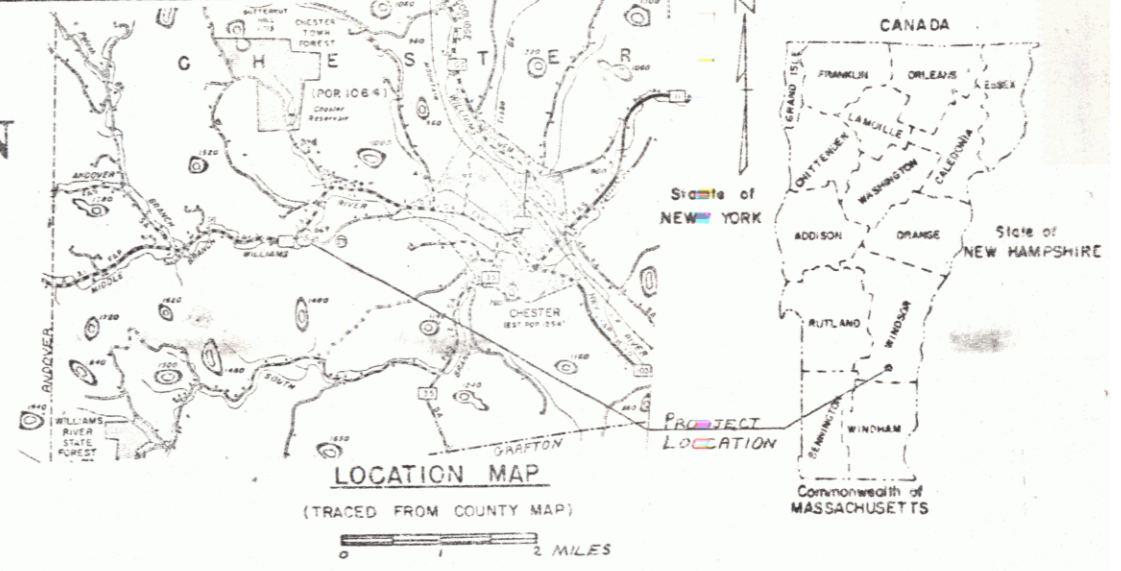


PROPOSED IMPROVEMENT
BRIDGE PROJECT
TOWN OF CHESTER
COUNTY OF WINDSOR

ROUTE NO: T.H. 57, CLASS 3 BRIDGE NO: 69

PROJECT LOCATION: BEGINNING AT THE INTERSECTION OF VT. RTE. 11 AND T.H. 57, APPROXIMATELY 2.5 MILES FROM THE CHESTER-ANDOVER TOWN LINE, & EXTENDING 0.038 MILES ON T.H. 57.
PROJECT DESCRIPTION: REMOVAL OF EXISTING STRUCTURE, CONSTRUCTION OF A NEW PRESTRESSED VOIDED SLAB BRIDGE AND RELATED ROADWAY AND CHANNEL WORK.

LENGTH OF STRUCTURE:	46.00 FEET
LENGTH OF PARTICIPATION ROADWAY:	154.00 FEET
LENGTH OF NON-PARTICIPATION ROADWAY:	N.A. FEET
LENGTH OF PROJECT:	200.00 FEET
LENGTH OF R.O.W. PROJECT:	200.00 FEET



HYDRAULIC DATA

DRAINAGE AREA = 28.1 SQ. MI.

Q10 = 2700 cfs	HW ELEV. = 497.1
Q25 = 3775 cfs	HW ELEV. = 499.3
Q50 = 4800 cfs	HW ELEV. = 500.9
Q100 = 5775 cfs	HW ELEV. = 501.6

OVERFLOW OCCURS AT Q30±
TAILWATER AT Q25 = 7.4'
VELOCITY AT Q25 = 11.5 f/s

BEGIN PROJECT
M/L 10+00 TO CHAN 6+00
Δ = 40' @ 7.5' CF

MP 2.766
BEGIN SIDEWALK STA. 10+00
CONSTRUCT SATISFACTORY APPROACH

PLAN
SCALE 1" = 40'

NOTE
THIS SHEET IS FOR R.O.W. LIMIT DETAILS ONLY. REFER TO THE REMAINING PLAN SHEETS FOR ALL OTHER CONTRACT DETAILS.

These plans are subject to such engineering changes as may be required by the Federal Highway Administration or the Director of Engineering and Construction.
Construction is to be carried on in accordance with these plans and the Standard Specifications for Highway and Bridge Construction dated March, 1976, as approved by the Federal Highway Administration on October 27, 1976 for use on this project, including all subsequent revisions and such revised specifications and special provisions as are incorporated in these plans.

SUBMITTED BY ORDER OF THE STATE TRANSPORTATION AGENCY

APPROVED: *[Signature]* DATE: MAY 16 1985
DIRECTOR OF ENGINEERING AND CONSTRUCTION

APPROVED: *[Signature]*
CHIEF, PROPERTY ADMINISTRATION

DATE: 11-29-82

PROJECT: CHESTER
PROJECT NO.: BRZ 1442 (2)

SHEET 1 OF 1 SHEETS

STATE OF VERMONT
AGENCY OF TRANSPORTATION
RIGHT-OF-WAY PLANS
DETAIL SHEET

TABLE OF PROJECT PROPERTY ACQUISITION

PARCEL NO.	GRANTOR	SHEET NO.	BEGINNING STATION	ENDING STATION	TAKING	REM.	RIGHTS	TITLE TAKEN	DATE	TOWN OR CITY RECORDED	BK.	PG.	REMARKS
1	MASON, MARTHA D.	3	10+41 RT 10+71 RT 10+31 LT	11+35 RT 10+86 RT 11+41 LT			CONST. EASE. (T) (0.02 Ac) CHANNEL (P) (80 S.F.) SLOPE (T) (0.13 Ac)	W.D.O.E.	11-28-83	CHESTER	82	827328	(1045 S.F.) FOR TEMPORARY DETOUR

TABLE OF REVISIONS

REVISION NO.	SHEET NO.	DESCRIPTION OF REVISION	DATE	MADE BY	APPROVED BY
1	1, 3	Parcel #1 MASON, Revised Const. EASE. (T) 82 SR. 107342-11+8322 0.14 Ac To 10+41 RT-11+35 RT. 0.02 Ac Deleted Temp. Detour. Deleted Const. EASE. (T) 82 107342-11+4822. Added Slope (T) 10+31 LT. 11+41 LT. (0.13 Ac) For Temp Detour Per Revised Design of C.D. # 5964 <i>Plans Given to Street. 12-6-83</i>	7-25-83	B.A.M.	<i>LawB</i>

MADE BY: H. DUKE DATE: NOV 29, 1982
CHECKED BY: R.L.S. DATE: NOV 29, 1982

DR RT - DRAINAGE RIGHT
DT RT - DITCHING RIGHT
CH RT - CHANNEL RIGHT
DRIVE RT - DRIVE RIGHT
CL. RT - CULVERT RIGHT
⊙ - DEMOLITION OR REMOVAL
W - WATER SOURCES

----- PRESENT R.O.W.
/// - - - - - TAKING WITHOUT ACCESS
/// P - - - - - TAKING WITHOUT ACCESS ALONG PROPERTY LINES
--- L --- TAKING WITH ACCESS
(P) PERMANENT EASEMENT
(T) TEMPORARY EASEMENT

LEGEND
----- CONST. EASE. ----- CONST. EASEMENT
SR ----- SR ----- SLOPE RIGHTS
P ----- P ----- PROPERTY LINE
--- Δ --- Δ --- TOP OF CUT
--- ○ --- ○ --- TOE OF SLOPE

APPROVED: *W. N. Brz* DATE: 11-27-83
CHIEF OF PLANS & TITLES

MAY 16 1985
PROJECT: CHESTER
NO. BRZ 1442(2)
SHEET 2 OF 4

BRIDGE RAILING, H.D. STEEL BEAM, TYPE D
 T.H.57 STA. 10+35 TO STA. 10+81 AT. E. LT.

GUARD RAIL, H.D. STEEL BEAM WITH WOOD POST
TYPE II (H.S.B. STEEL) (6' POST SPACING TYPICAL)
 VT. 11 STA. 4+14 AT. TO T.H. 57 STA. 10+35 AT.
 T.H. 57 STA. 10+35 LT. TO VT. 11 STA. 5+50 AT.
 T.H. 57 STA. 10+81 TO STA. 11+08 AT. E. LT.

STONE FILL, TYPE II
 CHAN. STA. 4+72 TO 5+25 AT.

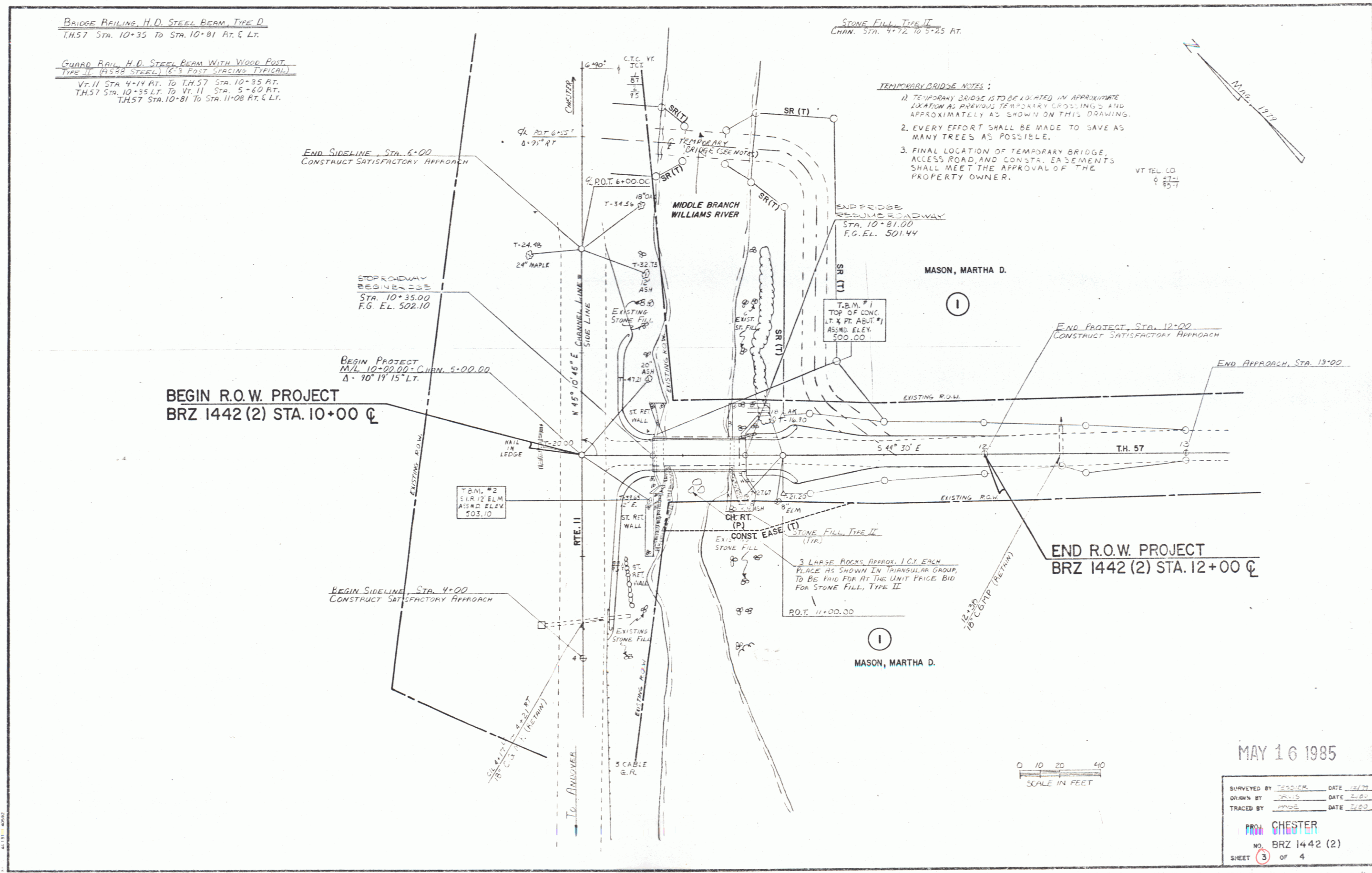
- TEMPORARY BRIDGE NOTES:
1. TEMPORARY BRIDGE IS TO BE LOCATED IN APPROPRIATE LOCATION AS PREVIOUS TEMPORARY CROSSINGS AND APPROXIMATELY AS SHOWN ON THIS DRAWING.
 2. EVERY EFFORT SHALL BE MADE TO SAVE AS MANY TREES AS POSSIBLE.
 3. FINAL LOCATION OF TEMPORARY BRIDGE, ACCESS ROAD, AND CONST. EASEMENTS SHALL MEET THE APPROVAL OF THE PROPERTY OWNER.

VT TEL. CO.
 6 57-1
 6 57-1



BEGIN R.O.W. PROJECT
BRZ 1442 (2) STA. 10+00 @

END R.O.W. PROJECT
BRZ 1442 (2) STA. 12+00 @



MAY 16 1985

SURVEYED BY	TRUCK	DATE	12/74
DRAWN BY	TRUCK	DATE	2/80
TRACED BY	TRUCK	DATE	2/80
PROJ. CHESTER			
NO. BRZ 1442 (2)			
SHEET	3	OF	4