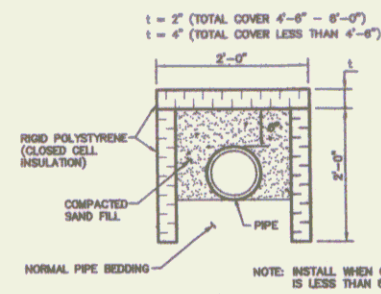


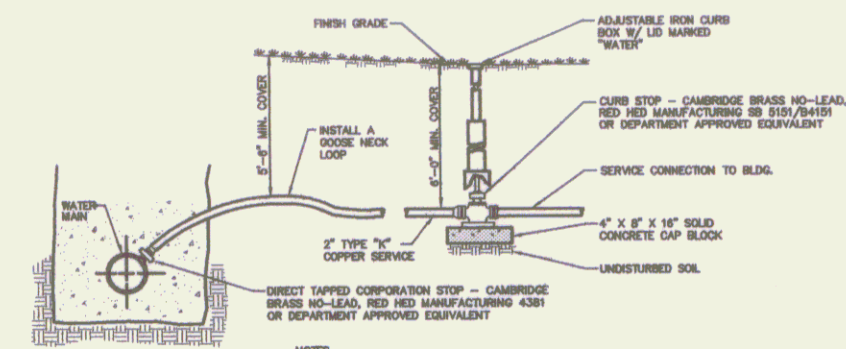
THE GENERAL CONTRACTOR SHALL COORDINATE ALL UTILITY WORK WITH GREEN MOUNTAIN POWER FOR ELECTRICAL, VERIZON FOR TELEPHONE AND COMCAST FOR CABLE.

1. ALL EXCAVATION, CONDUIT INSTALLATION AND BACKFILL SHALL BE IN CONFORMANCE WITH GMP DISTRIBUTION STANDARDS. CONTACT THE DISTRICT SUPERINTENDENT AT 802-452-8911 TO OBTAIN COPIES OF THE LATEST STANDARDS AND TO COORDINATE INSPECTION OF WORK PERFORMED BY THE GENERAL CONTRACTOR. INSTALLATION NOT INSPECTED AND APPROVED BY GMP WILL BE EXCAVATED AND REDONE AT THE CONTRACTOR'S EXPENSE.
2. ALL TRENCHES SHALL BE 18 INCH MINIMUM WIDTH.
3. TRENCH CROSS SECTION SHALL BE IDENTICAL, WITH OR WITHOUT TELEPHONE OR TELEVISION CABLE.
4. CONDUIT SHALL BE ENCASED IN A 4 INCH ENVELOPE OF CONCRETE UNDER THE FOLLOWING CONDITIONS:
 - A) FOR INSTALLATIONS UNDER THE TRAVELLED PORTION OF THE ROAD, 10 TO 15 FEET EACH SIDE OF WATER, SEWER, GAS AND DRAIN CROSSINGS.
 - B) FOR INSTALLATIONS NOT REQUIRING CONCRETE, SAND OR FINE GRAVEL SHALL BE USED TO FORM A 4 INCH CUSHION ON ALL SIDES OF THE CONDUIT.

1 UNDERGROUND ELECTRIC & TELEPHONE
N.T.S.

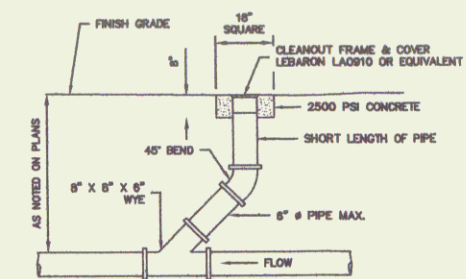


2 WATER/SEWER INSULATION DETAIL
N.T.S.

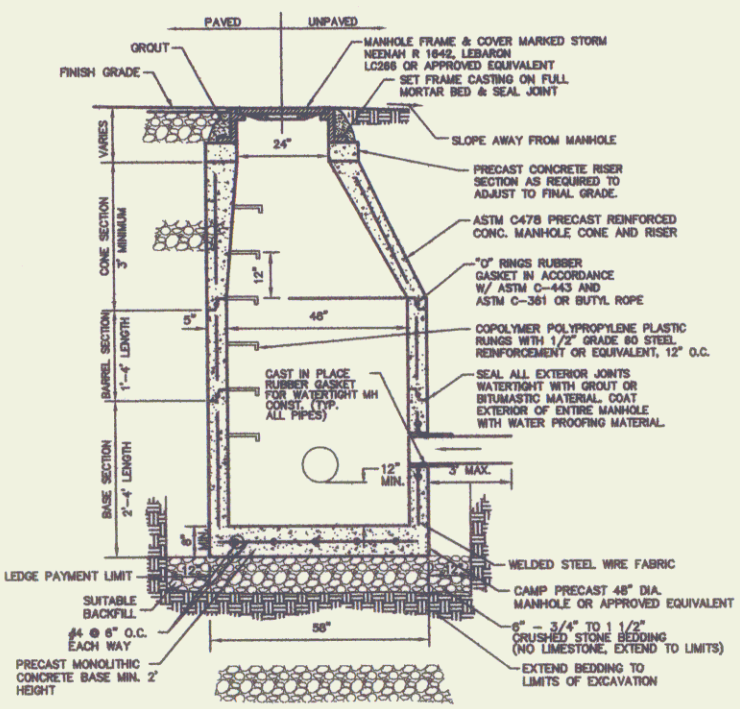


- NOTES:**
1. TIGHTEN THREAD SEALANT TAPE WILL BE USED ON ALL COPPERATION STOPS PRIOR TO INSERTION.
 2. COPPERATION STOPS SHALL NOT BE PLACED LESS THAN 1' APART ALONG PIPE.
 3. COPPERATION STOPS SHALL NOT BE CONSTRUCTED NEARER DRIVES OR SIDEWALKS.
 4. REPRESENTATIVES OF CHAMPLAIN CONSULTING ENGINEERS AND COLCHESTER FIRE DEPARTMENT #3 SHALL BE CONTACTED 48 HOURS IN ADVANCE OF WATER SERVICE INSTALLATION AND/OR TESTING FOR CONSTRUCTION REVIEW.

3 TYPICAL WATER SERVICE DETAIL
N.T.S.

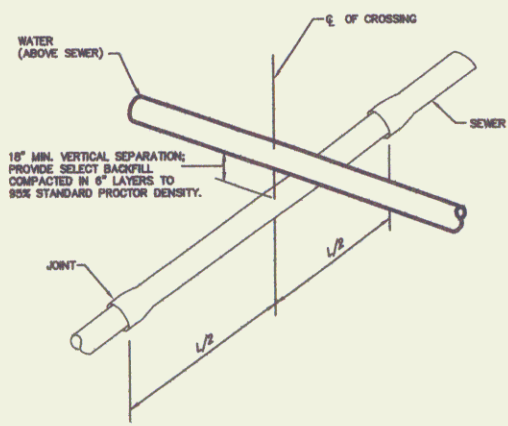


4 TYPICAL CLEANOUT DETAIL
N.T.S.



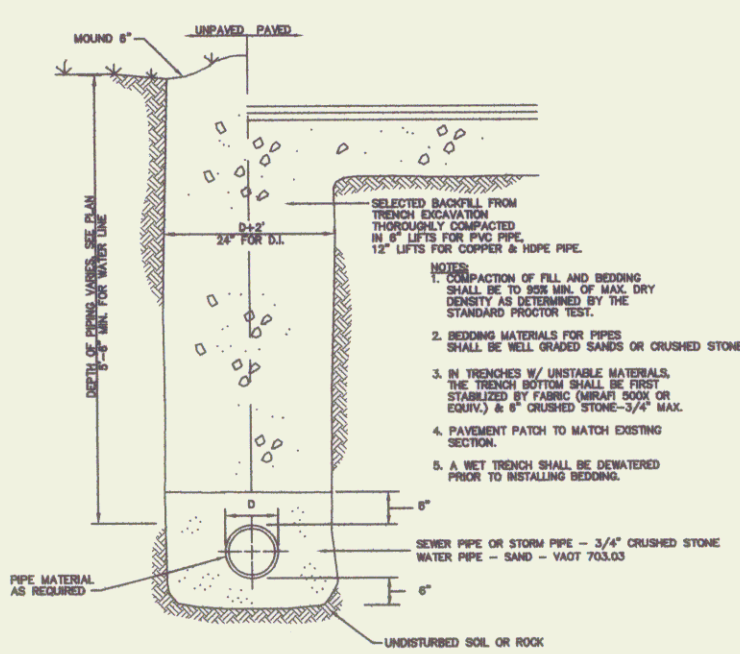
- MANHOLE NOTE:**
1. INLET & OUTLET PIPES SHALL BE JOINED TO THE MANHOLE WITH A FLEXIBLE WATER TIGHT CONNECTION OR ANY WATER TIGHT CONNECTION ARRANGEMENT THAT ALLOWS DIFFERENTIAL SETTLEMENT OF PIPE AND MANHOLE TO OCCUR.

5 TYPICAL PRECAST STORM MANHOLE
N.T.S.



- NOTES:**
1. SEWER CROSSING WATER MAINS SHALL BE LAID BELOW THE WATER MAIN WITH AT LEAST 18 INCHES VERTICAL CLEARANCE BETWEEN THE OUTSIDE OF THE SEWER PIPE AND THE OUTSIDE OF THE WATER MAIN. THE CROSSING SHALL BE ARRANGED SO THAT THE FULL LENGTH OF SEWER PIPE IS COVERED BELOW THE WATER LINE WITH SEWER JOINTS AS FAR AS POSSIBLE FROM WATER JOINTS.
 2. THE SECTION CONSTRUCTED TO WATER MAIN STANDARDS SHALL BE PRESSURE TESTED TO MAINTAIN 80 PSI FOR 15 MINUTES WITHOUT LEAKAGE PRIOR TO BACKFILLING BEYOND 1 FOOT ABOVE THE PIPE TO ASSURE WATER TIGHTNESS.
 3. WHERE A WATER MAIN CROSSES UNDER A SEWER, 18\"/>

6 TYPICAL WATER/SEWER CROSSING DETAIL
N.T.S.



- NOTES:**
1. CONSTRUCTION OF FILL AND BEDDING SHALL BE TO 95% MIN. OF MAX. DRY DENSITY AS DETERMINED BY THE STANDARD PROCTOR TEST.
 2. BEDDING MATERIALS FOR PIPES SHALL BE WELL GRADED SANDS OR CRUSHED STONE.
 3. IN TRENCHES W/ UNSTABLE MATERIALS, THE TRENCH BOTTOM SHALL BE FIRST STABILIZED BY FABRIC (GIRMAI 500S OR EQUIV.) & 4\"/>

7 TYPICAL EXCAVATION TRENCH DETAIL
N.T.S.

REVISION DATE & DESCRIPTION	BY
12/10/07 - REV 7/2008	MEC
REVISION	
2/15/08 - TOWN REVISION	MEC

Champlain Consulting ENGINEERS
16 WINDMILL ROAD, P.O. BOX 143
COLCHESTER, VERMONT 05446
(802) 863-8060 - 864-1878 FAX
COPYRIGHT © 2007 CHAMPLAIN CONSULTING ENGINEERS. ALL RIGHTS RESERVED.



CBAY CARWASH
2 & 4 ROOSEVELT HIGHWAY
U.S. ROUTES 2 & 7
WATER & SEWER DETAILS
VERMONT
COLCHESTER

DRAWN: CCE
CHECKED: MEC
SCALE: N.T.S.
DATE: 11/08/07
JOB NO.: 27141
SHEET: 7

C-7
OF 10 SHEETS