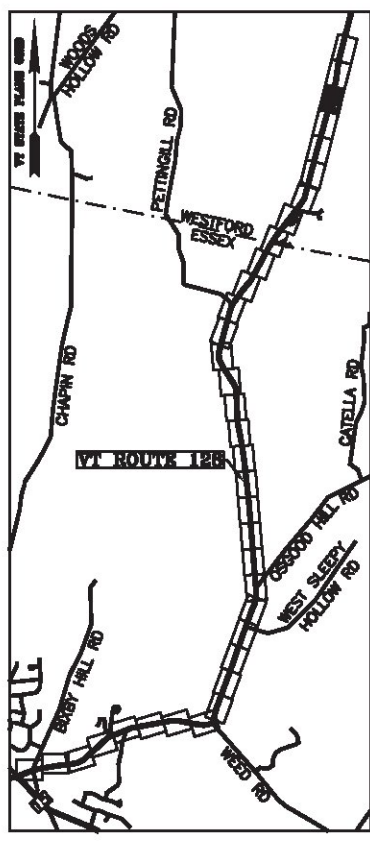
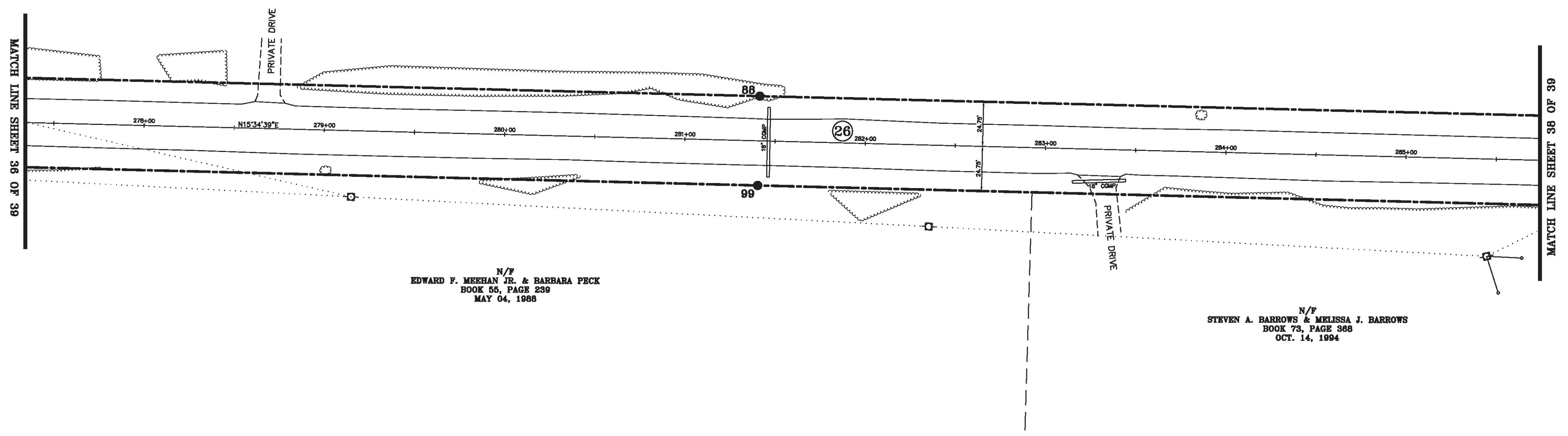


LINE	BEARING	DISTANCE
87-88	N 15° 34' 39" E	554.00'
88-89	N 15° 34' 39" E	554.00'
98-99	S 15° 34' 39" W	554.00'
99-100	S 15° 34' 39" W	554.00'



N/F
EDWARD F. MEEHAN JR.
BOOK 53, PAGE 1
APR. 14, 1987

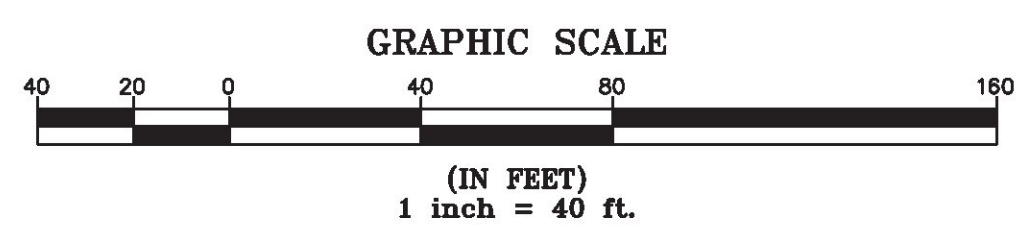


N/F
EDWARD F. MEEHAN JR. & BARBARA PECK
BOOK 55, PAGE 239
MAY 04, 1988

N/F
STEVEN A. BARROWS & MELISSA J. BARROWS
BOOK 73, PAGE 368
OCT. 14, 1994

ORIGINAL DRAWING-INK ON POLYESTER FILM MEETING THE REQUIREMENTS OF 27 VSA 1403(b)(7)

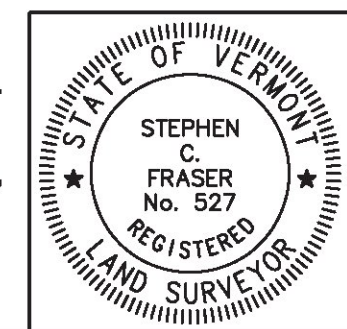
MONUMENT DETAIL TABLE			
MON. NO.	DESCRIPTION	COORDINATE	STATION
88	MONUMENT TYPE "A" SET 0.5' ABOVE GROUND (SEE DETAILS ON SHEET 2)	N 755592.55 E 1504510.43	281+40.95 24.75' LEFT
99	MONUMENT TYPE "A" SET 0.5' ABOVE GROUND (SEE DETAILS ON SHEET 2)	N 755579.25 E 1504558.11	281+40.95 24.75' RIGHT



I certify that this plat is based on information abstracted from documents, parol evidence, and physical evidence. The survey work identified hereon is consistent with this information.

I certify that this plat meets the requirements of 27 VSA Section 1403 and complies with Vermont Board of Land Surveyors Rules, Part 5.4 and 5.5, adopted under 26 VSA Section 2544(a)(9).

Signed: *Stephen C. Fraser*
Stephen C. Fraser, L.S. #527



STATUTORY SURVEY
STATE OF VERMONT
VERMONT ROUTE 128
ESSEX - WESTFORD
CHITTENDEN COUNTY, VERMONT

SCALE: 1"= 40'	PLAT COMPILATION DATE: 1-19-2015
R.O.W. WIDTH = 49.5'	PIN #: 12x602 SHEET 37 OF 39

Vermont Survey and Engineering, Inc.
79 River Street, Montpelier, Vermont
(802) 229-9138 ~ info@vermontsurvey.com