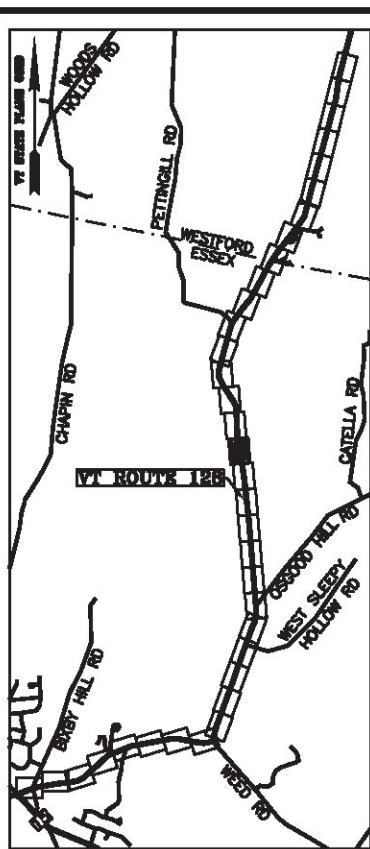


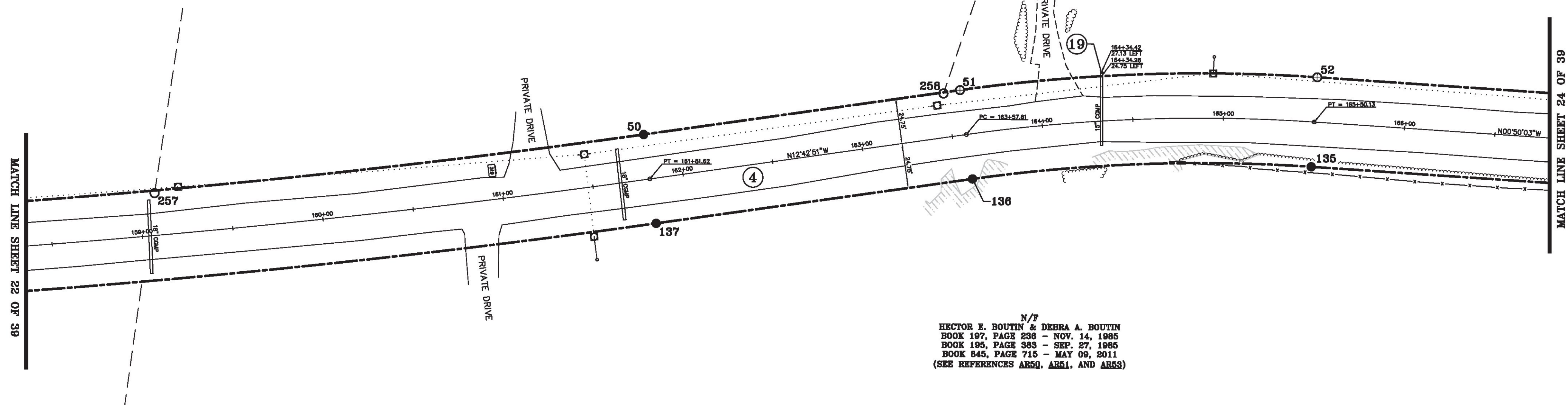
LINE	BEARING	DISTANCE
49-50	SEE CURVE TABLE	
50-51	N 12° 42' 51" W	176.19'
51-52	SEE CURVE TABLE	
52-53	N 00° 50' 03" W	238.93'
134-135	S 00° 50' 03" E	238.92'
135-136	SEE CURVE TABLE	
136-137	S 12° 42' 51" E	176.19'
137-138	SEE CURVE TABLE	

CURVE	CHORD BEARING	CHORD DISTANCE	RADIUS	LENGTH
49-50	N 10° 17' 50" W	450.15'	5337.55'	450.28'
51-52	N 06° 46' 27" W	197.11'	952.34'	197.46'
135-136	S 06° 46' 27" E	186.86'	902.84'	187.20'
137-138	S 10° 17' 50" E	454.32'	5387.05'	454.46'
157+29.24-161+81.62	N 10° 17' 50" W	452.24'	5362.30'	452.37'
163+57.81-165+50.13	N 06° 46' 27" W	191.98'	927.59'	192.33'



N/F
 HECTOR E. BOUTIN & DEBRA A. BOUTIN
 BOOK 197, PAGE 236 - NOV. 14, 1985
 BOOK 195, PAGE 383 - SEP. 27, 1985
 BOOK 845, PAGE 715 - MAY 09, 2011
 (SEE REFERENCE AR52)

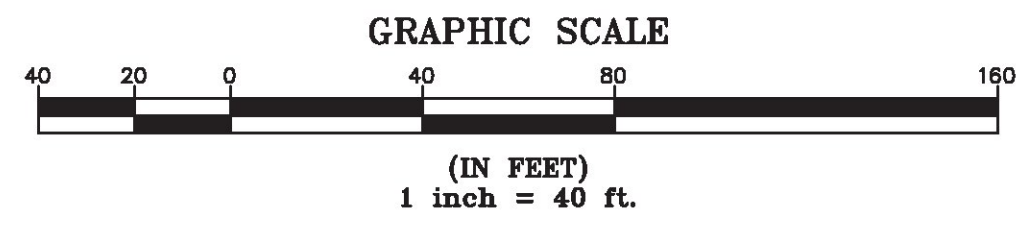
N/F
 JASON BOUTIN & JAIME BOUTIN
 BOOK 865, PAGE 17
 FEB. 24, 2012
 (SEE REFERENCE AR52)



N/F
 HECTOR E. BOUTIN & DEBRA A. BOUTIN
 BOOK 197, PAGE 236 - NOV. 14, 1985
 BOOK 195, PAGE 383 - SEP. 27, 1985
 BOOK 845, PAGE 715 - MAY 09, 2011
 (SEE REFERENCES AR50, AR51, AND AR53)

ORIGINAL DRAWING-INK ON POLYESTER FILM MEETING THE REQUIREMENTS OF 27 VSA 1403(b)(7)

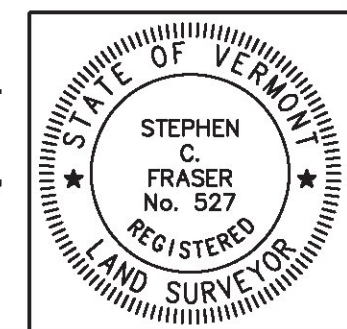
MON. NO.	DESCRIPTION	COORDINATE	STATION
50	MONUMENT TYPE "A" SET FLUSH (SEE DETAILS ON SHEET 2)	N 744706.83 E 1501494.37	161+81.62 24.75' LEFT
51	MONUMENT TYPE "B" SET FLUSH (SEE DETAILS ON SHEET 2)	N 744878.70 E 1501455.60	163+57.81 24.75' LEFT
52	MONUMENT TYPE "B" SET (SEE DETAILS ON SHEET 2)	N 745074.43 E 1501432.35	165+50.13 24.75' LEFT
135	MONUMENT TYPE "A" SET 0.5' ABOVE GROUND (SEE DETAILS ON SHEET 2)	N 745075.15 E 1501481.84	165+50.13 24.75' RIGHT
136	MONUMENT TYPE "A" SET 0.5' ABOVE GROUND (SEE DETAILS ON SHEET 2)	N 744889.59 E 1501503.88	163+57.81 24.75' RIGHT
137	MONUMENT TYPE "A" SET FLUSH (SEE DETAILS ON SHEET 2)	N 744717.73 E 1501542.66	161+81.62 24.75' RIGHT
257	5/8" DIA. IRON ROD FOUND FLUSH WITH ALUMINUM CAP MARKED "TRUDELL CONSULTING ENGINEERS LS 488" - STABLE	N 744440.73 E 1501548.80	159+08.76 23.31' LEFT
258	5/8" DIA. IRON ROD FOUND FLUSH WITH ILLEGIBLE CAP STABLE	N 744869.74 E 1501458.22	163+48.48 24.17' LEFT



I certify that this plat is based on information abstracted from documents, parol evidence, and physical evidence. The survey work identified hereon is consistent with this information.

I certify that this plat meets the requirements of 27 VSA Section 1403 and complies with Vermont Board of Land Surveyors Rules, Part 5.4 and 5.5, adopted under 26 VSA Section 2544(a)(9).

Signed: *Stephen C. Fraser*
 Stephen C. Fraser, L.S. #527



STATUTORY SURVEY
 STATE OF VERMONT
 VERMONT ROUTE 128
 ESSEX - WESTFORD
 CHITTENDEN COUNTY, VERMONT

SCALE: 1" = 40' | PLAT COMPILATION DATE: 1-19-2015
 R.O.W. WIDTH = 49.5' | PIN #: 12x602 | SHEET 23 OF 39

Vermont Survey and Engineering, Inc.
 79 River Street, Montpelier, Vermont
 (802) 229-9138 ~ info@vermontsurvey.com