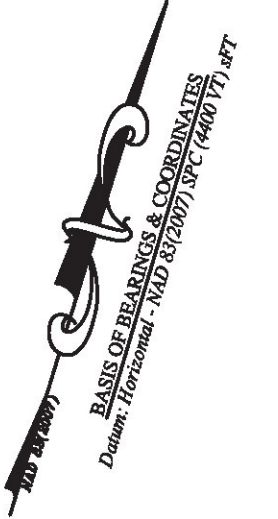


RIGHT OF WAY LIMIT LINE TABLE		
LINE	BEARING	DISTANCE
10-11	N 48° 04' 17" E	416.13'
11-12	N 48° 04' 17" E	416.13'
12-13	SEE CURVE TABLE	
175-176	SEE CURVE TABLE	
176-177	S 48° 04' 17" W	416.13'
177-178	S 48° 04' 17" W	416.13'

CURVE TABLE				
CURVE	CHORD BEARING	CHORD DISTANCE	RADIUS	LENGTH
12-13	N 58° 20' 24" E	301.32'	845.17'	302.94'
175-176	S 58° 20' 24" W	283.67'	795.67'	285.20'
30+35.56-33+29.63	N 58° 20' 24" E	292.50'	820.42'	294.07'

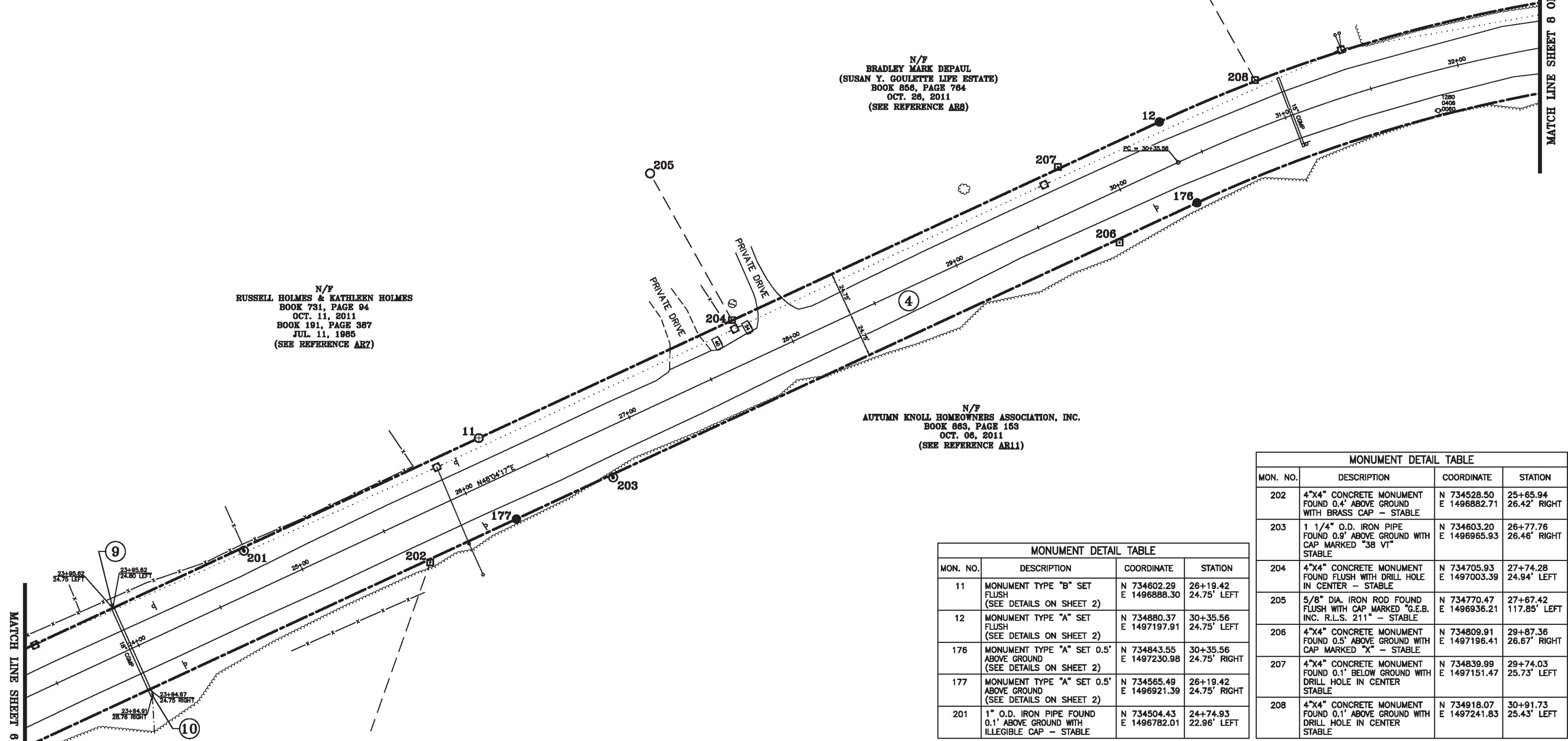


N/F  
 DEBRA LEARNED TILTON & ORIN TILTON  
 (PEARLINE E. LEARNED LIFE TENANT)  
 BOOK 733, PAGE 311  
 NOV. 06, 2007

N/F  
 BRADLEY MARK DEPAUL  
 (SUSAN Y. GOULETTE LIFE ESTATE)  
 BOOK 856, PAGE 764  
 OCT. 26, 2011  
 (SEE REFERENCE A88)

N/F  
 RUSSELL HOLMES & KATHLEEN HOLMES  
 BOOK 731, PAGE 94  
 OCT. 11, 2011  
 BOOK 191, PAGE 387  
 JUL. 11, 1985  
 (SEE REFERENCE A87)

N/F  
 AUTUMN KNOLL HOMEOWNERS ASSOCIATION, INC.  
 BOOK 863, PAGE 153  
 OCT. 06, 2011  
 (SEE REFERENCE A81)



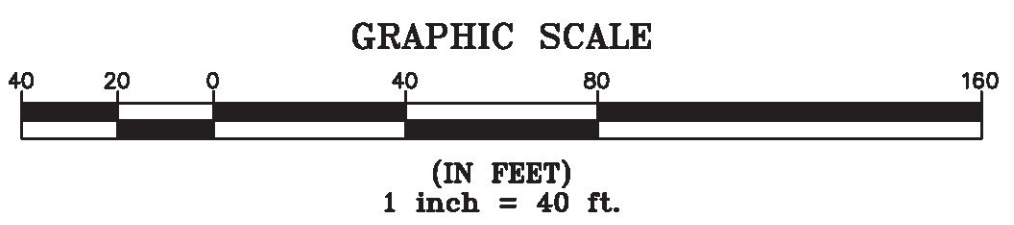
ORIGINAL DRAWING-INK ON POLYESTER FILM MEETING THE REQUIREMENTS OF 27 VSA 1403(b)(7)

MATCH LINE SHEET 8 OF 39

MATCH LINE SHEET 9 OF 39

MONUMENT DETAIL TABLE			
MON. NO.	DESCRIPTION	COORDINATE	STATION
11	MONUMENT TYPE "B" SET FLUSH (SEE DETAILS ON SHEET 2)	N 734602.29 E 1496888.30	26+19.42 24.75' LEFT
12	MONUMENT TYPE "A" SET FLUSH (SEE DETAILS ON SHEET 2)	N 734880.37 E 1497197.91	30+35.56 24.75' LEFT
176	MONUMENT TYPE "A" SET 0.5' ABOVE GROUND (SEE DETAILS ON SHEET 2)	N 734843.55 E 1497230.98	30+35.56 24.75' RIGHT
177	MONUMENT TYPE "A" SET 0.5' ABOVE GROUND (SEE DETAILS ON SHEET 2)	N 734565.49 E 1496921.39	26+19.42 24.75' RIGHT
201	1" O.D. IRON PIPE FOUND 0.1' ABOVE GROUND WITH ILLEGIBLE CAP - STABLE	N 734504.43 E 1496782.01	24+74.93 22.96' LEFT

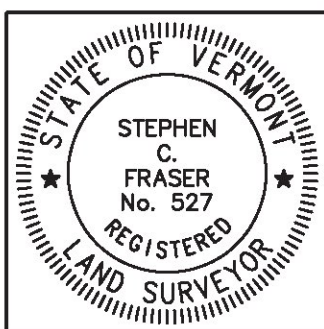
MONUMENT DETAIL TABLE			
MON. NO.	DESCRIPTION	COORDINATE	STATION
202	4"x4" CONCRETE MONUMENT FOUND 0.4' ABOVE GROUND WITH BRASS CAP - STABLE	N 734528.50 E 1496882.71	25+65.94 26.42' RIGHT
203	1 1/4" O.D. IRON PIPE FOUND 0.9' ABOVE GROUND WITH CAP MARKED "38 VT" STABLE	N 734603.20 E 1496965.93	26+77.76 26.46' RIGHT
204	4"x4" CONCRETE MONUMENT FOUND FLUSH WITH DRILL HOLE IN CENTER - STABLE	N 734705.93 E 1497003.39	27+74.28 24.94' LEFT
205	5/8" DIA. IRON ROD FOUND FLUSH WITH CAP MARKED "G.E.B. INC. R.L.S. 211" - STABLE	N 734770.47 E 1496936.21	27+67.42 117.85' LEFT
206	4"x4" CONCRETE MONUMENT FOUND 0.5' ABOVE GROUND WITH CAP MARKED "X" - STABLE	N 734809.91 E 1497196.41	29+87.36 26.67' RIGHT
207	4"x4" CONCRETE MONUMENT FOUND 0.1' BELOW GROUND WITH DRILL HOLE IN CENTER STABLE	N 734839.99 E 1497151.47	29+74.03 25.73' LEFT
208	4"x4" CONCRETE MONUMENT FOUND 0.1' ABOVE GROUND WITH DRILL HOLE IN CENTER STABLE	N 734918.07 E 1497241.83	30+91.73 25.43' LEFT



I certify that this plat is based on information abstracted from documents, parol evidence, and physical evidence. The survey work identified hereon is consistent with this information.

I certify that this plat meets the requirements of 27 VSA Section 1403 and complies with Vermont Board of Land Surveyors Rules, Part 5.4 and 5.5, adopted under 26 VSA Section 2544(a)(9).

Signed: *Stephen C. Fraser*  
 Stephen C. Fraser, L.S. #527



**STATUTORY SURVEY**  
**STATE OF VERMONT**  
**VERMONT ROUTE 128**  
 ESSEX - WESTFORD  
 CHITTENDEN COUNTY, VERMONT

SCALE: 1" = 40'      PLAT COMPILATION DATE: 1-19-2015  
 R.O.W. WIDTH = 49.5'      PIN #: 12x602      SHEET 7 OF 39

Vermont Survey and Engineering, Inc.  
 79 River Street, Montpelier, Vermont  
 (802) 229-9138 ~ info@vermontsurvey.com