

N/F
SALVATORE R. MATANO
 BK. 74, PG. 429
 MAY 6, 2006
 BR #23

BEAVER MEADOW ROAD T. H. #33
 VOLUME 1, PAGE 227 MAY 27, 1820
 6 ROADS WIDE

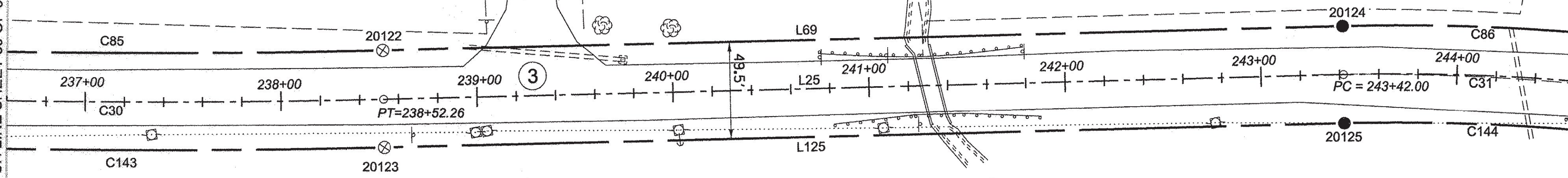
N/F
**THOMAS E. LOSO
 & TINA LOSO**
 BK. 55, PG. 379
 DEC. 05, 2000

N/F
**MARION D. BURNHAM
 & LARI ANNE CARLSON**
 BK. 52, PG. 62
 SEPT. 28, 1998

N/F
**CYNTHIA BARNETT
 AND
 CHARLES BARNETT,
 CO-TRUSTEES
 OF THE
 CYNTHIA BARNETT
 REVOCABLE TRUST**
 BK. 93, PG. 506
 JAN. 8, 2013
 BR #24 & #24B

MATCH LINE SHEET 39 OF 64

MATCH LINE SHEET 41 OF 64



● 50

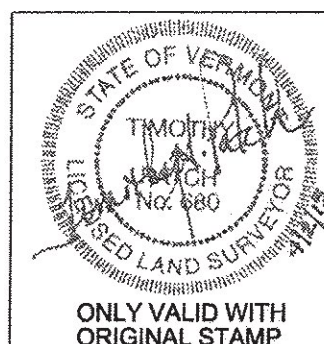


- LEGEND:**
 SEE SHEET 1 OF 64
- NOTES:**
 SEE SHEETS 2 & 3 OF 64
- MONUMENT TABLE:**
 SEE SHEETS 6, 7, 8 OF 64
- ROW CENTER LINE TABLE:**
 SEE SHEET 8 OF 64
- ROW LIMIT LINE & CURVE TABLES:**
 SEE SHEET 9 OF 64

I CERTIFY THAT THIS PLAT IS BASED ON INFORMATION ABSTRACTED FROM DOCUMENTS, PAROL EVIDENCE, AND PHYSICAL EVIDENCE. THE SURVEY WORK IDENTIFIED HEREON IS CONSISTENT WITH THIS INFORMATION.

I CERTIFY THAT THIS PLAT MEETS THE REQUIREMENTS OF 27 VSA SECTION 1403 AND COMPLIES WITH VERMONT BOARD OF LAND SURVEYORS RULES, PART 5.4 AND 5.5 ADOPTED UNDER 26 VSA SECTION 2544(A).

SIGNED: *Timothy A. Hatch*
 TIMOTHY A. HATCH, L.S. 680



**STATE OF VERMONT
 AGENCY OF TRANSPORTATION**



STATUTORY SURVEY
 TOWN OF MARSHFIELD
VERMONT US ROUTE 2
 APPROXIMATELY FROM PLAINFIELD
 TOWN LINE TO CABOT TOWN LINE

SURVEYED: SJC	DATE: 04/01/2015
ENGINEERING TAP	SCALE: 1"=40'
REVIEWED: TAP	FILE: 2126600ROW.DGN
	SHEET NO. 40 OF 64

ORIGINAL DRAWING - INK ON POLYESTER FILM MEETING THE REQUIREMENTS OF 27 V.S.A. § 1403

PIN ID # 12X800

