

N/F  
**RONALD A. DEVINCENZI  
 & DARLENE M. DEVINCENZI**  
 BK. 37, PG. 438  
 SEPT. 25, 1987  
 BR #20 & #23

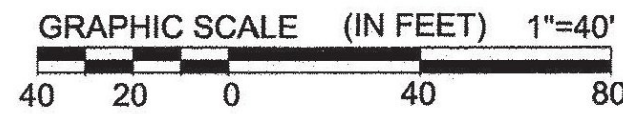
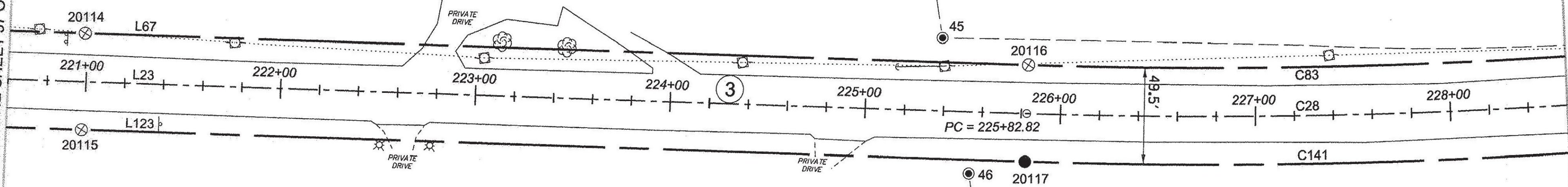
N/F  
**KAY E. CHARRON**  
 BK. 40, PG. 108  
 SEPT. 18, 1989  
 BR #23

N/F  
**RONALD A. DEVINCENZI  
 & DARLENE M. DEVINCENZI**  
 BK. 37, PG. 438  
 SEPT. 25, 1987  
 BR #22 & #23 & #23B

N/F  
**STEVEN BRONSTEIN  
 & SANDRA PARITZ**  
 BK. 51, PG. 480B  
 NOV. 16, 1998  
 BR #23 & 23B

MATCH LINE SHEET 37 OF 64

MATCH LINE SHEET 39 OF 64

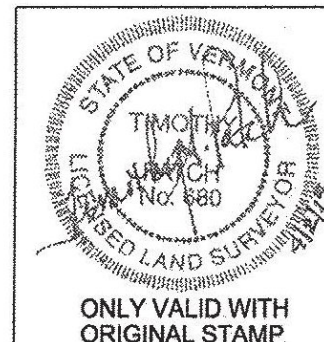


- LEGEND:**  
 SEE SHEET 1 OF 64
- NOTES:**  
 SEE SHEETS 2 & 3 OF 64
- MONUMENT TABLE:**  
 SEE SHEETS 6,7,8 OF 64
- ROW CENTER LINE TABLE:**  
 SEE SHEET 8 OF 64
- ROW LIMIT LINE & CURVE TABLES:**  
 SEE SHEET 9 OF 64

I CERTIFY THAT THIS PLAT IS BASED ON INFORMATION ABSTRACTED FROM DOCUMENTS, PAROL EVIDENCE, AND PHYSICAL EVIDENCE. THE SURVEY WORK IDENTIFIED HEREON IS CONSISTENT WITH THIS INFORMATION.

I CERTIFY THAT THIS PLAT MEETS THE REQUIREMENTS OF 27 VSA SECTION 1403 AND COMPLIES WITH VERMONT BOARD OF LAND SURVEYORS RULES, PART 5.4 AND 5.5 ADOPTED UNDER 26 VSA SECTION 2544(A).

SIGNED: *Timothy A. Patch*  
 TIMOTHY A. PATCH, L.S. 680



**STATE OF VERMONT  
 AGENCY OF TRANSPORTATION**



**STATUTORY SURVEY**  
 TOWN OF MARSHFIELD  
**VERMONT US ROUTE 2**  
 APPROXIMATELY FROM PLAINFIELD  
 TOWN LINE TO CABOT TOWN LINE

SURVEYED: SGC	DATE: 04/07/2015
ENGINEERING: TAP	SCALE: 1"=40'
REVIEWED: TAP	FILE: 212x600ROW.DGN
SHEET NO. 38 OF 64	

