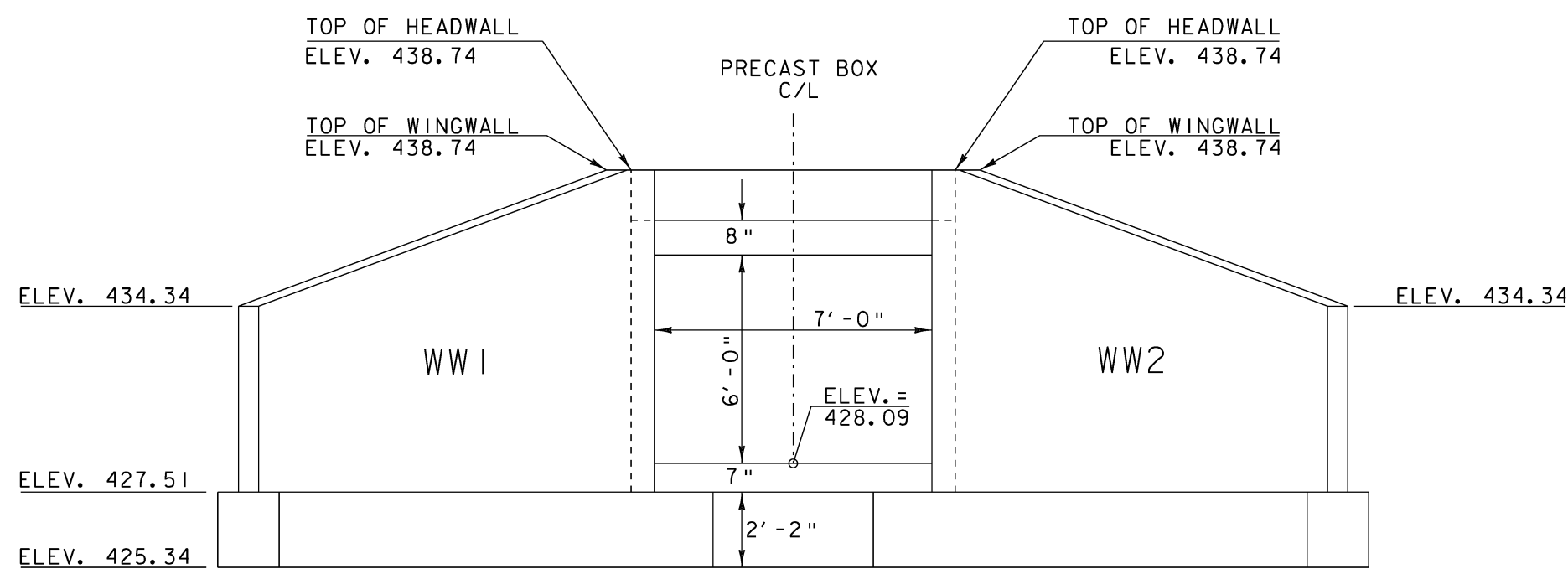


GENERAL NOTES

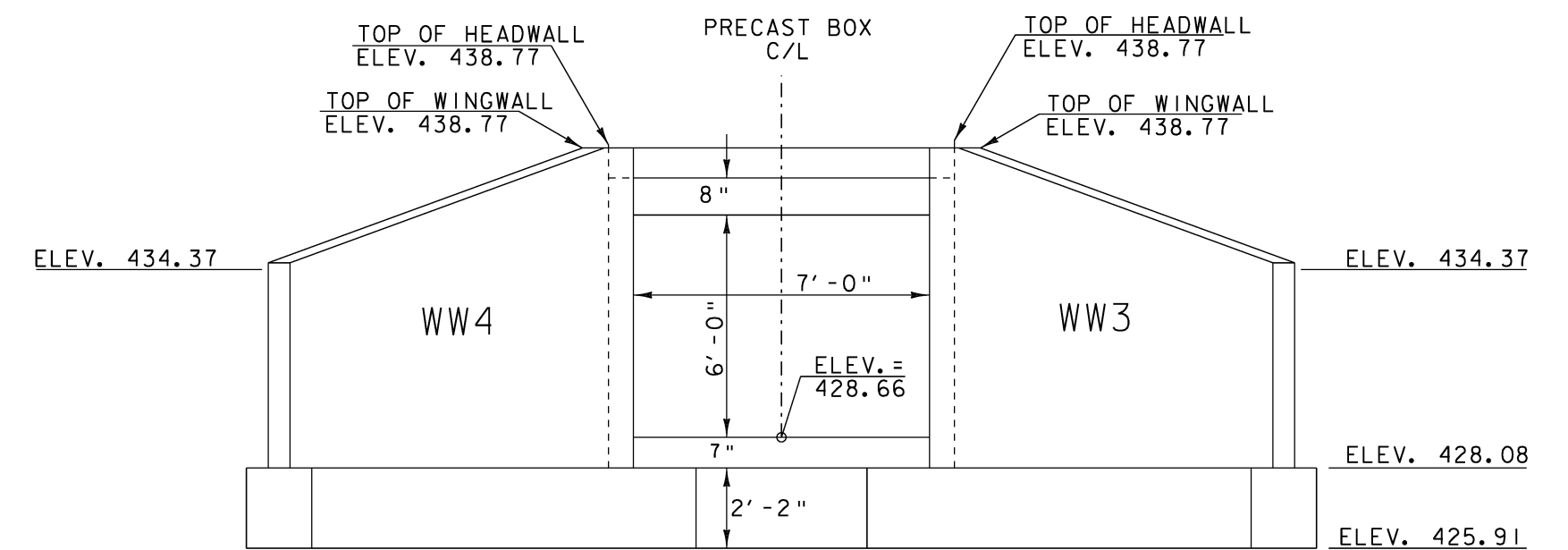
1. DIMENSIONS AND ORIENTATION OF WW1 AND WW2 ARE IDENTICAL.
2. DIMENSIONS AND ORIENTATION OF WW3 AND WW4 ARE IDENTICAL.

**WORKING POINTS
STATIONS AND OFFSETS**

WP#	STATION	OFFSET
WP1	1+27.00	N/A
WP2	1+27.00	4.20 RT
WP3	1+32.66	9.85 RT
WP4	1+32.66	9.80 LT
WP5	1+27.00	4.14 LT
WP6	0+73.00	4.14 LT
WP7	0+62.81	7.27 LT
WP8	0+69.85	10.32 RT
WP9	0+73.00	4.20 RT
WP10	0+73.00	N/A



**PRECAST BOX CULVERT
OUTLET ELEVATION
NOT TO SCALE**



**PRECAST BOX CULVERT
INLET ELEVATION
NOT TO SCALE**

PROJECT NAME:	FAIRFAX
PROJECT NUMBER:	STP SCRIP (6)
FILE NAME:	r10b196_def.dgn
PROJECT LEADER:	K. UPMAL
DESIGNED BY:	S. PALMER
DETAIL SHEET	
PLOT DATE:	06-JUN-2011
DRAWN BY:	S. PALMER
CHECKED BY:	K. UPMAL
SHEET	7 OF 11