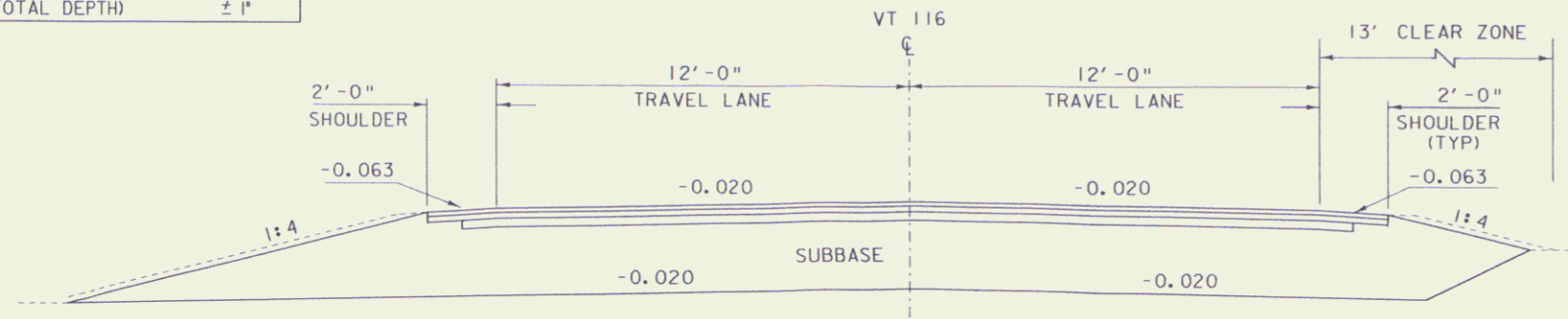


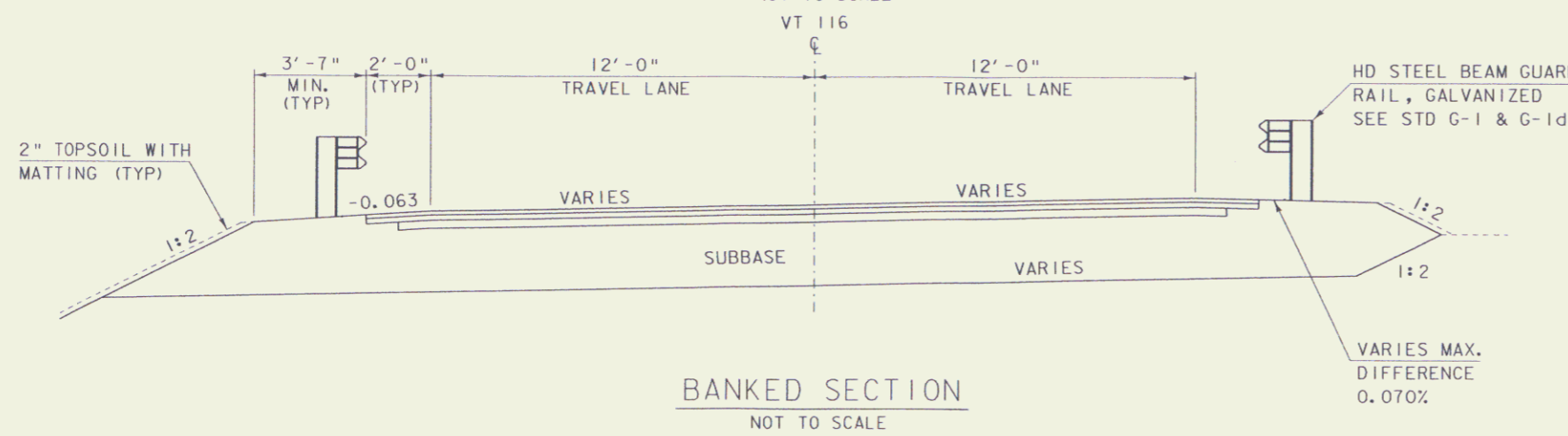
MATERIAL TOLERANCE TABLE

MATERIAL ITEM	THICKNESS TOLERANCE
PAVEMENT (TOTAL DEPTH)	± 1/4"
BASE COURSE (TOTAL DEPTH)	± 1/2"
SUBBASE (TOTAL DEPTH)	± 1"

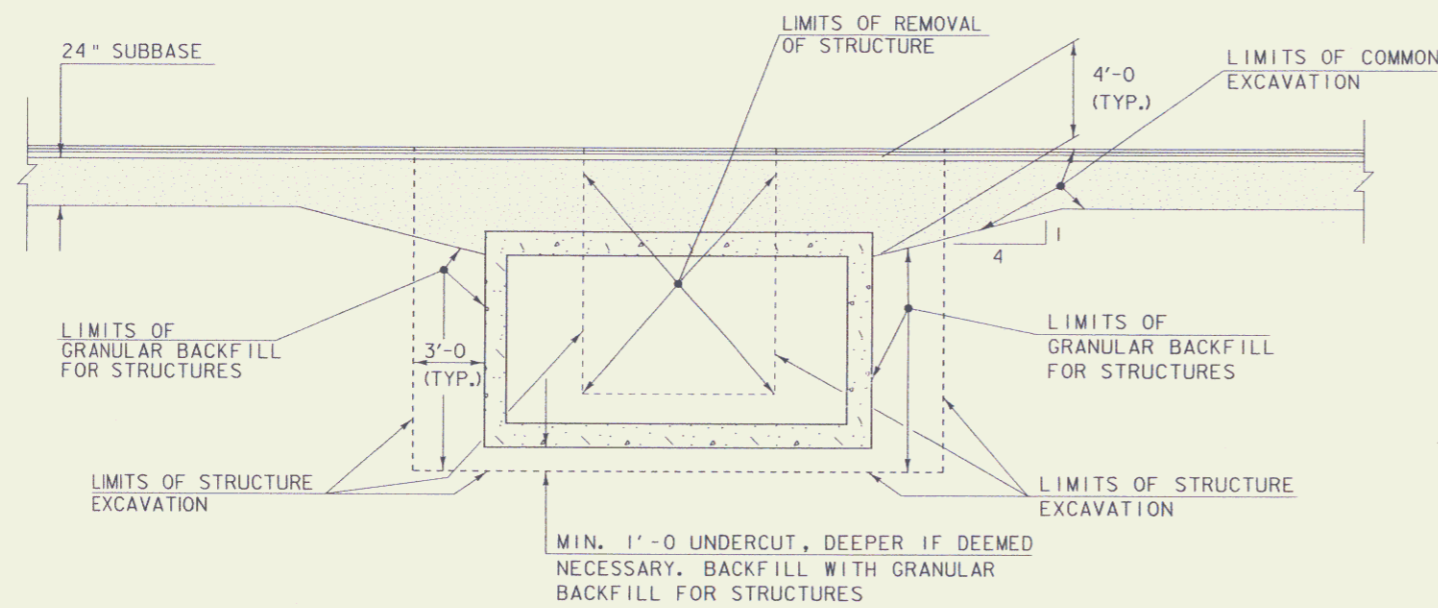
1/2" BITUMINOUS CONCRETE, TYPE III (PG 58-34)
 2" BITUMINOUS CONCRETE, TYPE III (PG 58-34)
 3" BITUMINOUS CONCRETE, TYPE I (PG 58-34)
 24" SUBBASE OF DENSE GRADED CRUSHED STONE



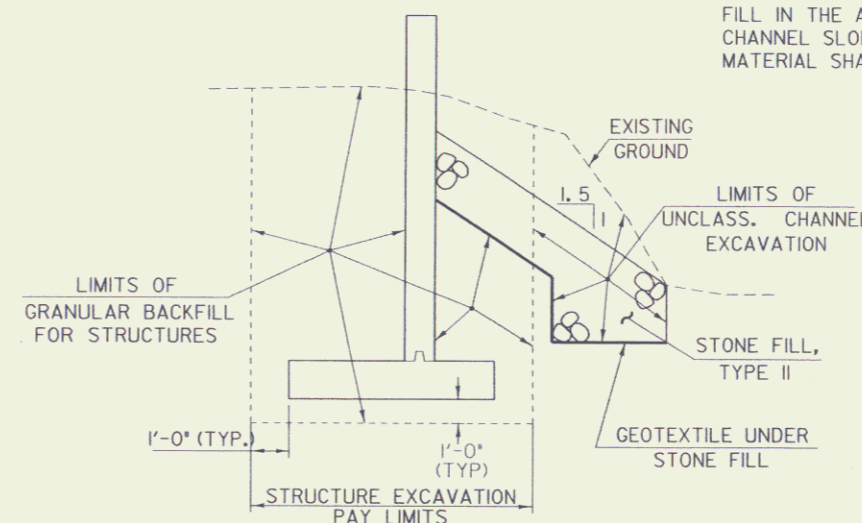
NORMAL SECTION
NOT TO SCALE



BANKED SECTION
NOT TO SCALE



TYPICAL BOX CULVERT SECTION
NOT TO SCALE



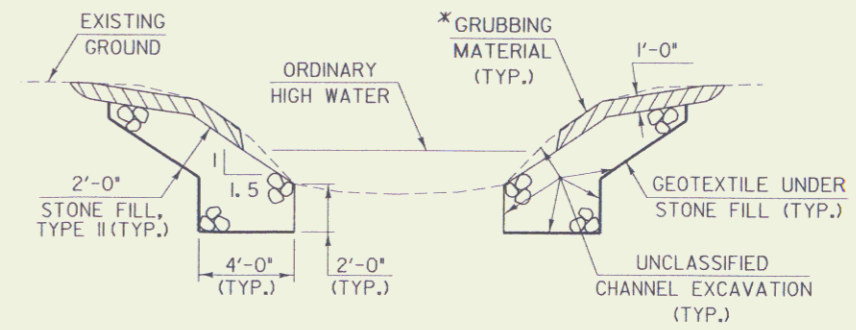
TYPICAL WINGWALL SECTION
NOT TO SCALE

SEEDING FORMULA
RURAL AREAS

% WT.	LBS./A.	NAME	PUR %	GERM %
37.5	22.5	CREeping RED FESCUE	98	85
37.5	22.5	TALL FESCUE	95	90
5.0	3.0	RED TOP	95	90
15.0	9.0	BIRDSFOOT TREFOIL	98	85
5.0	3.0	ANNUAL RYEGRASS	95	85
100.0	60.0			

GENERAL NOTES

SEED MIXTURE: SHALL NOT HAVE A WEED CONTENT EXCEEDING 0.40% BY WEIGHT AND SHALL BE FREE OF ALL NOXIOUS SEED.
 SEED: TO BE APPLIED PER SEEDING FORMULAS OR AS DIRECTED BY THE ENGINEER.
 FERTILIZER: FORMULA 10-20-10, TO BE USED WITH SEED, APPLIED AT THE RATE OF 500 LBS./ACRE. (HYDRO SEEDERS MAY USE 19-19-19 FORMULA).
 AGRICULTURAL LIMESTONE: TO BE APPLIED AT THE RATE OF 2 TONS/ACRE, OR AS DIRECTED BY THE ENGINEER.
 HAY MULCH: TO BE PLACED ON EARTH SLOPES AT THE RATE OF 2 TONS/ACRE, OR AS DIRECTED BY THE ENGINEER.
 TOPSOIL: TO BE USED WITH SEED AS INDICATED ON THE PLANS, OR AS DIRECTED BY THE ENGINEER.



TYPICAL CHANNEL SECTION
NOT TO SCALE

* GRUBBING MATERIAL SHALL NOT BE PLACED ON THE STONE FILL IN THE AREA UNDER THE BRIDGE. WHENEVER CHANNEL SLOPE INTERSECTS ROADWAY SUBBASE, GRUBBING MATERIAL SHALL BEGIN AT THE BOTTOM OF SUBBASE.

TYPICAL SECTIONS

PROJECT NAME:	BRISTOL	FILE NAME:	05b126\Str\s05b1261yp.dgn	PLOT DATE:	21-DEC-2006
PROJECT NUMBER:	ER ST 021-1(22)	PROJECT LEADER:	M. Evans-Mongean	DRAWN BY:	G. ROKES
		DESIGNED BY:	M. Evans-Mongean	CHECKED BY:	
				ROW SHEET	2 OF 10

SEP 16 2008