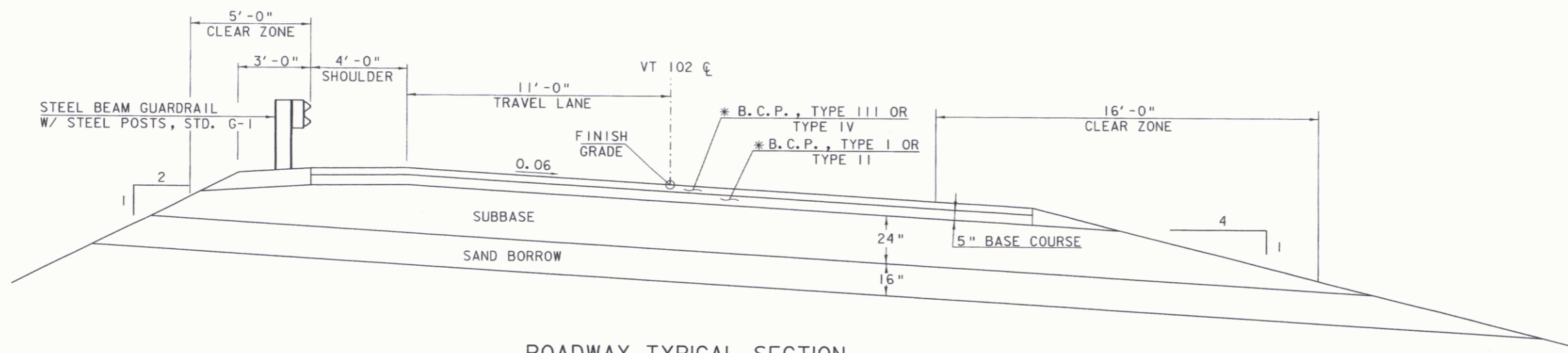


BRIDGE TYPICAL

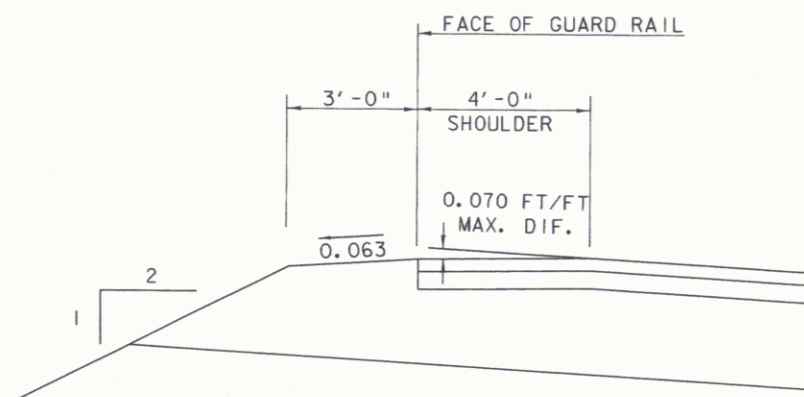
SCALE 3/8" = 1'-0"
 1 0 1 2 3 4



ROADWAY TYPICAL SECTION

SCALE 3/8" = 1'-0"
 1 0 1 2 3 4

* 3" TYPE III OR TYPE IV OVER
 5" TYPE III OR TYPE IV



DETAIL OF GUARD RAIL ON HIGH SIDE OF BANKED SECTION

**SEEDING FORMULA
 RURAL AREAS**

% WT.	LBS./A.	NAME	PUR %	GERM %
37.5	22.5	CREeping RED FESCUE	98	85
37.5	22.5	TALL FESCUE	95	90
5.0	3.0	RED TOP	95	85
15.0	9.0	BIRDSFOOT TREFOIL	98	85
5.0	3.0	ANNUAL RYEGRASS	95	85
100.0	60.0			

GENERAL NOTES

- SEED MIXTURE: SHALL NOT HAVE A WEED CONTENT EXCEEDING 0.40% BY WEIGHT AND SHALL BE FREE OF ALL NOXIOUS SEED.
- SEED: TO BE APPLIED PER SEEDING FORMULAS OR AS DIRECTED BY THE ENGINEER.
- FERTILIZER: FORMULA 10-20-10, TO BE USED WITH SEED, APPLIED AT THE RATE OF 500 LBS./ACRE. (HYDRO SEEDERS MAY USE 19-19-19 FORMULA).
- AGRICULTURAL LIMESTONE: TO BE APPLIED AT THE RATE OF 2 TONS/ACRE, OR AS DIRECTED BY THE ENGINEER.
- HAY MULCH: TO BE PLACED ON EARTH SLOPES AT THE RATE OF 2 TONS/ACRE, OR AS DIRECTED BY THE ENGINEER.
- TOPSOIL: TO BE USED WITH SEED AS INDICATED ON THE PLANS, OR AS DIRECTED BY THE ENGINEER.

MATERIAL ITEM	TOLERANCE
PAVEMENT	± 1/4" TOTAL THICKNESS
AGGREGATE SURFACE COURSE	± 1/2"
BASE COURSE	± 1/2"
SUBBASE	± 1"
SAND BORROW	± 1"
GRANULAR BORROW	± 1"

APR 19 2010

TYPICAL SECTIONS (1)

PROJECT NAME: Canaan	PLOT DATE: 03-AUG-2007
PROJECT NUMBER: ER ST 0271 (16)	DRAWN BY: T. Husk
FILE NAME: Structures\X04c098typ.dgn	CHECKED BY:
PROJECT LEADER: M. Evans-Mongeon	ROW SHEET 2 OF 15 SHEETS
DESIGNED BY: S. Scribner	