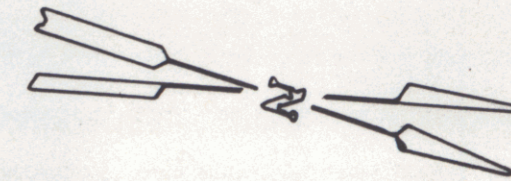
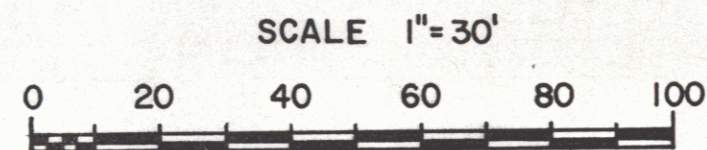
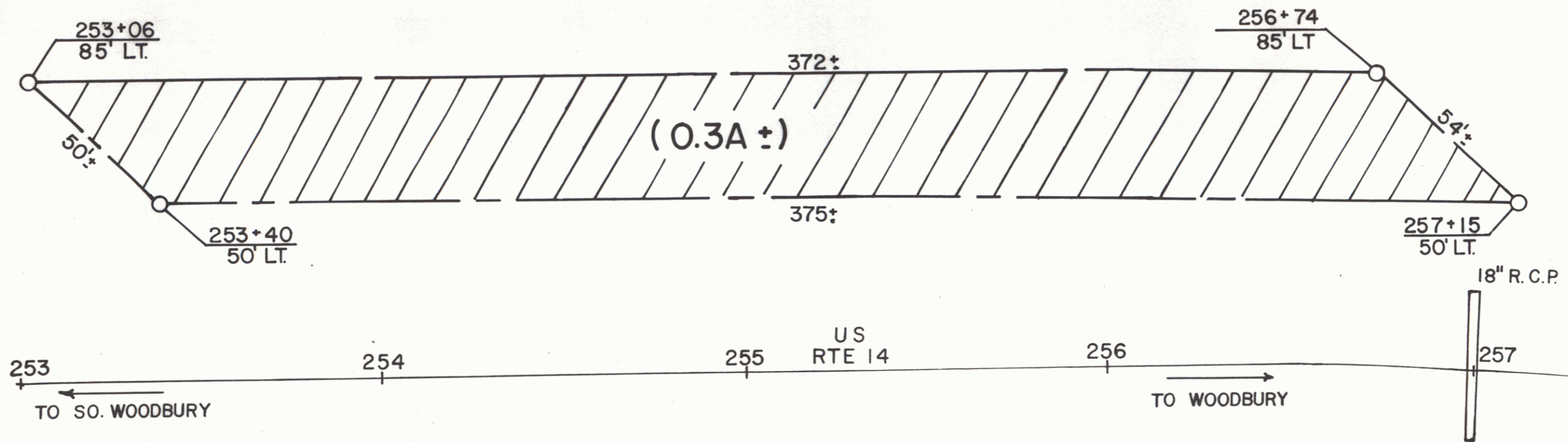


BEING PART OF THE SAME LAND CONVEYED TO
THE STATE OF VERMONT BY WD FROM LEW W. & RUTH H.
LEONARD DATED JUNE 21, 1949 AND RECORDED
IN BK. 24, PG. 497 OF THE TOWN OF WOODBURY LAND
RECORDS



STATE OF VERMONT
TO
TIMOTHY W. SHANLEY



REF. SHEET 40 OF 206 SHEET 40A

STATE OF VERMONT
AGENCY OF TRANSPORTATION

TOWN OF WOODBURY
F 144 (4)

APPROX SCALE 1"=30' DATED 10/21/87 BY ASJ