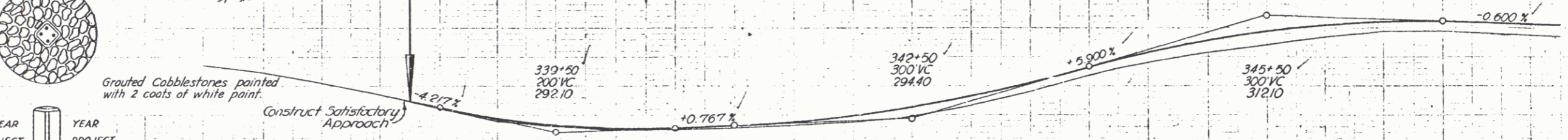
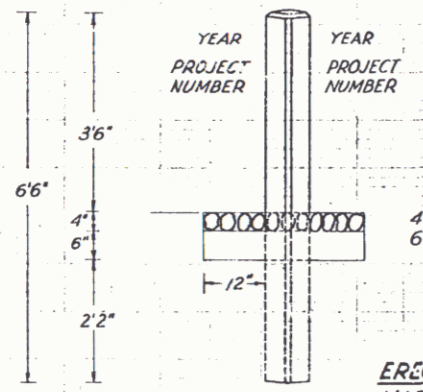
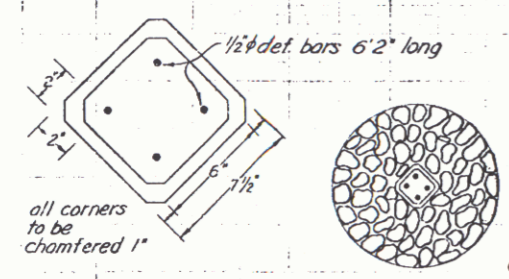


MP 3.53
 STA 338+25 END PROJECT FASIIA
 STA 338+25 BEGIN PROJECT F 154(3)

Dev. Curve
 Δ 1°44' RT
 Δ 0°30'
 Q 11459.2
 T 173.4
 L 346.7
 E 1.3
 Do not bank

CONSTRUCTED CURVES
 344+23 to 346+30 R/L



Sta 338+25 to Sta 342+00 Shaping Course of Gravel
 Sta 342+00 to Sta 348+00 12" Sub-base of Gravel

