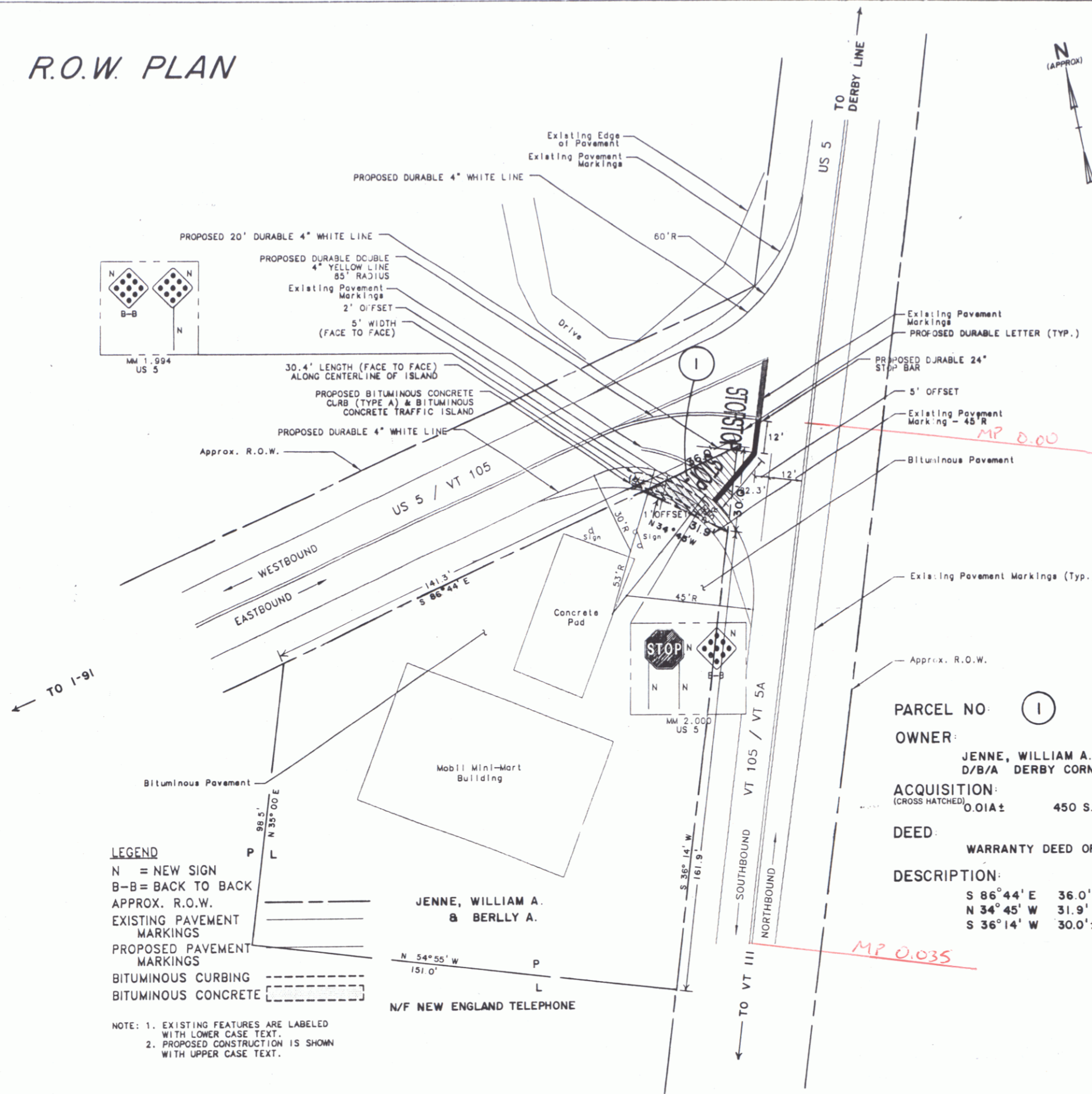


# R.O.W. PLAN



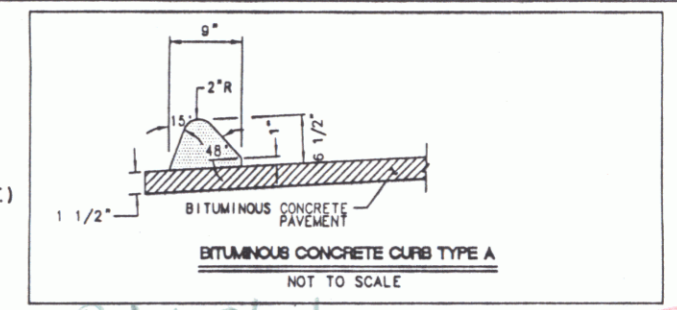
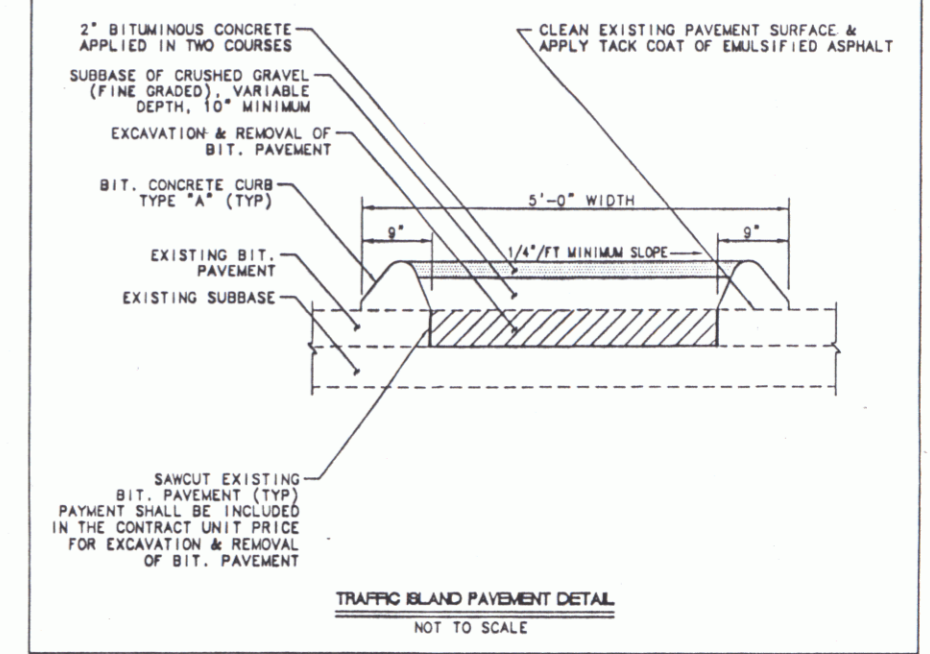
**LEGEND**  
 N = NEW SIGN  
 B-B = BACK TO BACK  
 APPROX. R.O.W.  
 EXISTING PAVEMENT MARKINGS  
 PROPOSED PAVEMENT MARKINGS  
 BITUMINOUS CURBING  
 BITUMINOUS CONCRETE

NOTE: 1. EXISTING FEATURES ARE LABELED WITH LOWER CASE TEXT.  
 2. PROPOSED CONSTRUCTION IS SHOWN WITH UPPER CASE TEXT.

PARCEL NO. ①  
 OWNER: JENNE, WILLIAM A. & BERLLEY A.  
 D/B/A DERBY CORNER MINI-MART  
 ACQUISITION: (CROSS HATCHED) 0.01A ± 450 S.F. ±  
 DEED: WARRANTY DEED OF EASEMENT 06-19-96 BK.147 PG. 89-91  
 DESCRIPTION:  
 S 86°44' E 36.0' ± ALONG U.S. 5 & VT 105  
 N 34°45' W 31.9' ±  
 S 36°14' W 30.0' ± ALONG VT 105 & VT 5A (MAIN ST.)

**TRAFFIC ISLAND LAYOUT**  
 SCALE IN FEET  
 40 20 0 20 40

QUANTITIES					
ITEM NO.	DESCRIPTION	LOCATION	QUANTITY	ROUNDING	TOTAL
203.28	EXCAVATION OF SURFACES & PAVEMENT	TRAFFIC ISLAND	4.7 C.Y.	0.3 C.Y.	5.0 C.Y.
301.28	SUBBASE OF CRUSHED GRAVEL (FINE GRADE)	TRAFFIC ISLAND	6.3 TON	0.7 TON	7.0 TON
616.30	BITUMINOUS CONCRETE CURB, TYPE A	TRAFFIC ISLAND	1.35 TON	0.65 TON	2.0 TON
616.47	BITUMINOUS CONCRETE GUTTERS & TRAFFIC ISLANDS	TRAFFIC ISLAND	1.22 TON	0.78 TON	2.0 TON
646.27	PAINTED CURB	TRAFFIC ISLAND	66.5 L.F.	3.5 L.F.	70 L.F.
646.40	DURABLE 4" WHITE LINE	N.W. SHOULDER US 5/VT 105 S.W. SHOULDER US 5/VT 105 LANE DIVIDER	112 L.F. 115 L.F. 20 L.F.	13 L.F.	260 L.F.
646.41	DURABLE 4" YELLOW LINE	INTERSECTION OF US 5 & VT 5A	116 L.F.	9 L.F.	125 L.F.
646.46	DURABLE 24" STOP BAR	INTERSECTION OF US 5 & VT 5A	34.3 L.F.	0.7 L.F.	35 L.F.
646.50	DURABLE LETTER OR SYMBOL	INTERSECTION OF US 5 & VT 5A - "STOP" (2)	8 EA.	0 EA.	8 EA.
646.82	REMOVAL OF EXISTING PAVEMENT MARKINGS	4" WHITE N.W. SHOULDER US 5/VT 105 S.W. SHOULDER US 5/VT 105 4" YELLOW INTERSECTION US 5 & VT 5A INTERSECTION US 5 & VT 5A 24" STOP BAR INTERSECTION US 5 & VT 5A INTERSECTION US 5 & VT 5A "STOP" MARKINGS INTERSECTION US 5 & VT 5A	36.7 S.F. 33.3 S.F. 44.7 S.F. 28.7 S.F. 60.0 S.F. 30.0 S.F. 48.0 S.F.	20.6 S.F.	300.0 S.F.



RIGHT-OF-WAY DIVISION  
 TOWN FILE  
 PERPETUAL  
 Town of DERBY  
 (To Be Returned To R.O.W. Division)

Date: 7/19/1996  
Vermont Route #105  
 and  
U.S. 5  
 intersection  
 MP 0.00 - 0.035

Pin # 00R199  
 R.O.W. SHEET  
**TRAFFIC ISLAND LAYOUT**  
 Town of DERBY-CHARLESTON  
 Proj. No. STP SIGN 9248  
 R.O.W. SHEET 1 OF 1 SHEET

APR 21 1997 /