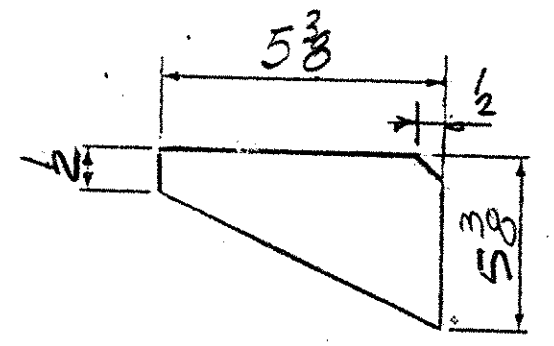
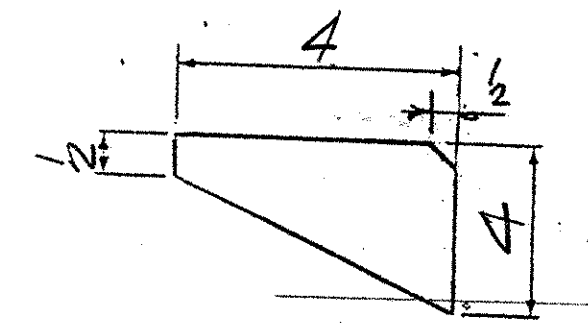


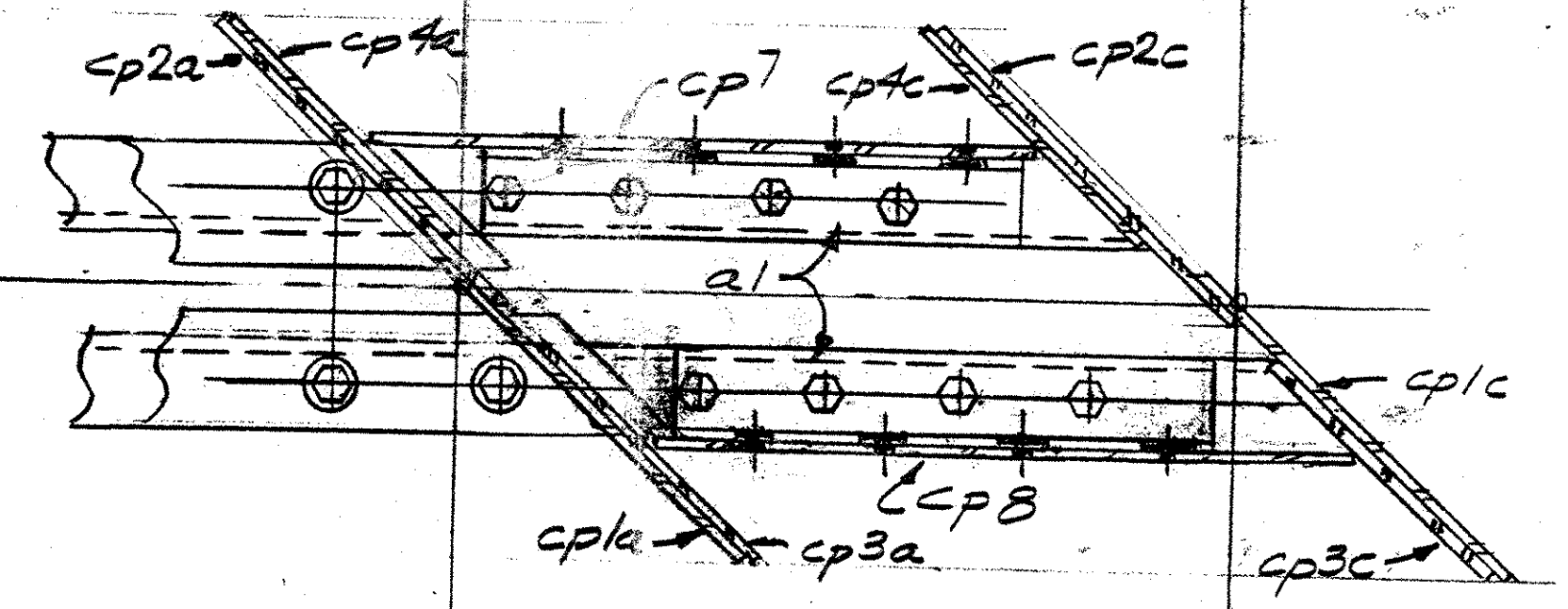
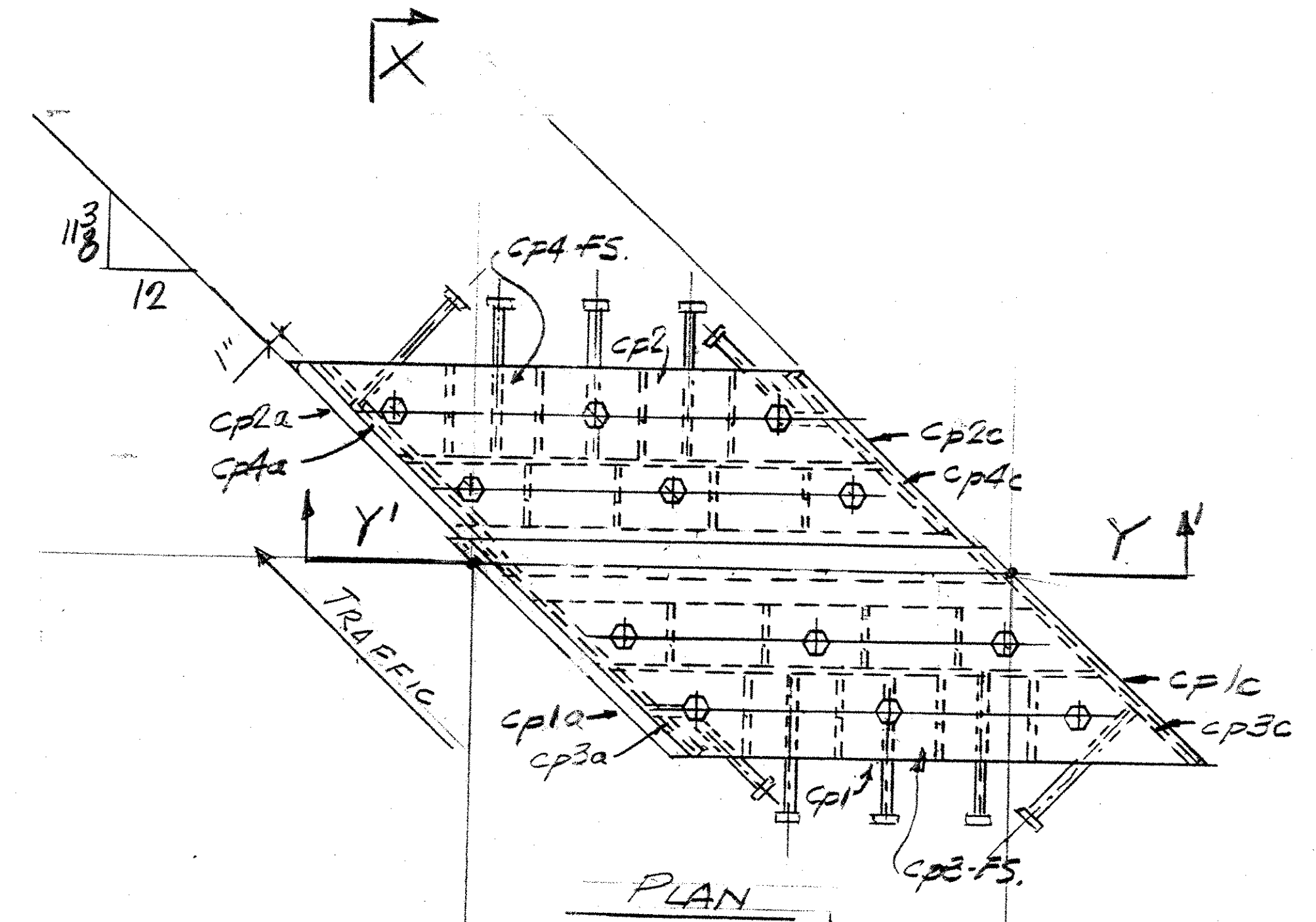
Y-Y - AS SHOWN  
Y'-Y' - OPP HAND



STIFFENER PLATE - Sp1



STIFFENER PLATE - Sp2

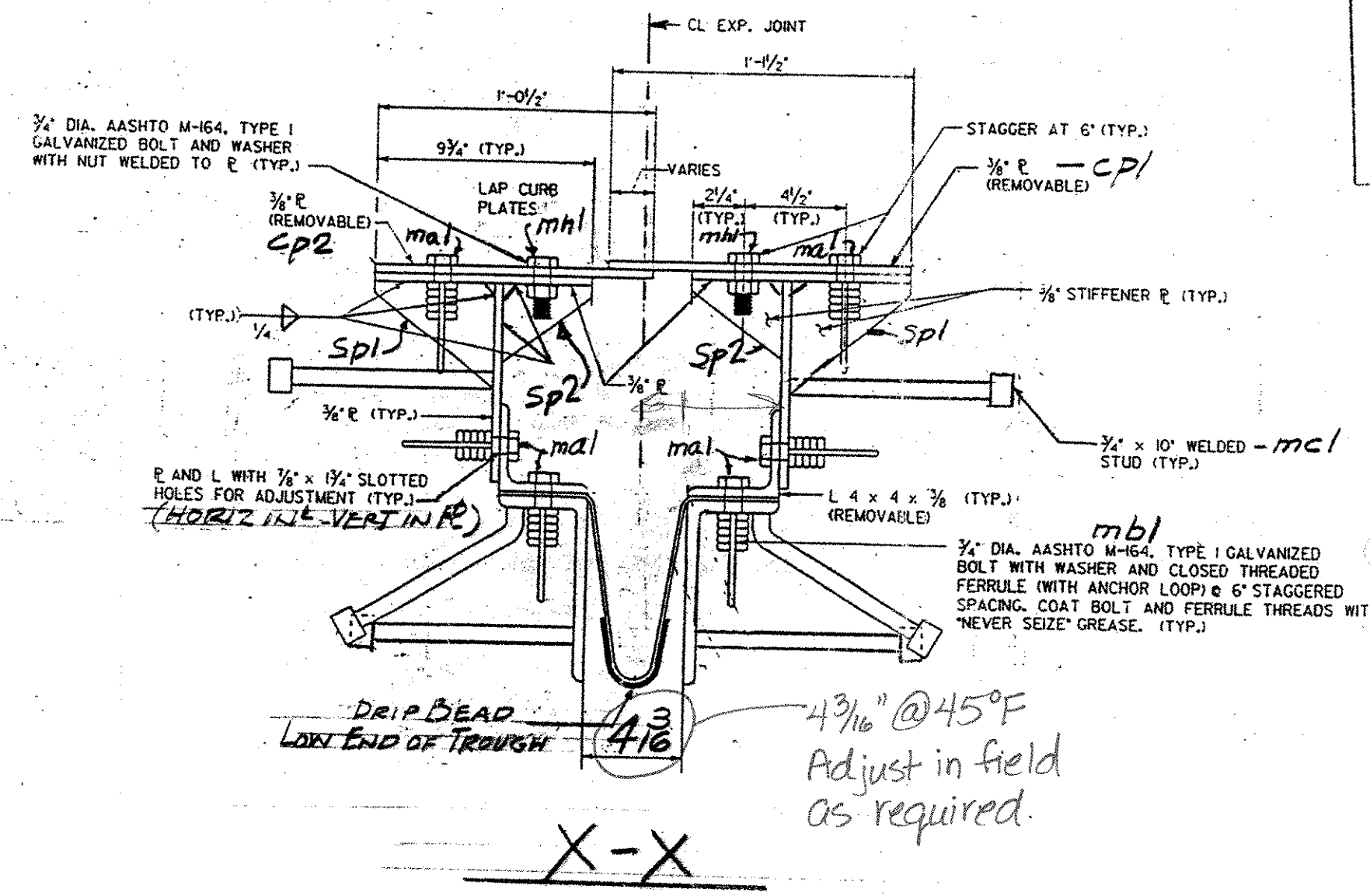


LOWER SECTION  
NORTH CURB

| VENDOR SUBMITTAL REVIEW |                   |
|-------------------------|-------------------|
| REVIEW STATUS           | CONTRACTOR ACTION |
| APPROVED                | NONE              |
| APPROVED AS REVISED     | CONFIRM           |
| REJECTED                | RESUBMIT          |

REVIEW IS FOR GENERAL CONFORMANCE WITH THE DESIGN CONCEPT AND CONTRACT DOCUMENTS. MARKINGS OF COMMENTS SHALL NOT BE CONSTRUED AS RELIEVING THE CONTRACTOR FROM COMPLIANCE WITH THE PROJECT PLANS AND SPECIFICATIONS. NO DEPARTURES THEREFROM. THE CONTRACTOR REMAINS RESPONSIBLE FOR DETAILS AND QUANTITIES AND DIMENSIONS FOR SELECTIVE FABRICATION PROCESSES FOR TECHNICAL ASSEMBLY AND FOR PERFORMING HIS WORK IN A SAFE MANNER.

BY *Martha Kew* DATE 7/15/03



|                  |         |  |  |  |  |  |  |  |  |  |  |  |  |  |  |  |  |  |  |
|------------------|---------|--|--|--|--|--|--|--|--|--|--|--|--|--|--|--|--|--|--|
| OUT FOR APPROVAL | 6-24-03 |  |  |  |  |  |  |  |  |  |  |  |  |  |  |  |  |  |  |
| OUT FOR APPROVAL |         |  |  |  |  |  |  |  |  |  |  |  |  |  |  |  |  |  |  |
| ISSUED TO SHOP   |         |  |  |  |  |  |  |  |  |  |  |  |  |  |  |  |  |  |  |
| FIELD & OFFICE   |         |  |  |  |  |  |  |  |  |  |  |  |  |  |  |  |  |  |  |

| REV. | REMARKS  | DATE | DWN | CHK | APP | Q.A. | NO. | DIA. | LGT | TYPE | WASHER |
|------|--|------|-----|-----|-----|------|-----|------|-----|------|--------|
|      | PROJECT NO. IM-091-1 (36) STATE BRIDGE NO. 38                        |      |     |     |     |      |     |      |     |      |        |
|      | MATERIAL: A36 ELECTRODES: PER PROC. HOLES: AS NOTED SHOP BOLTS: 3/16 |      |     |     |     |      |     |      |     |      |        |
|      | SURFACE PREP. & PAINT: M-164 GALV.                                   |      |     |     |     |      |     |      |     |      |        |

|   |   |
|---|---|
| GALV. AFTER FAB (ASTM-A123)             |   |
| DESCRIPTION: EXP. JOINT - PIER 1        | DRAWN BY: JPF                           |
| JOB: US ROUTE 5 OVER I-91 HARTLAND, VT. | DATE: 6-03                              |
|   | CHKD BY: EJ                             |
|   | APPROV BY: Q.A.                         |
| CUSTOMER: F.W. WHITCOMB                 |   |
| CASCO BAY STEEL STRUCTURES, INC.        | JOB NO. 198 DRG. NO. J1A                |
| 75 SPRING HILL ROAD SACO, MAINE 04072   | PHONE (207) 282-7360 FAX (207) 282-1179 |
|   | 090 REV. Δ                              |