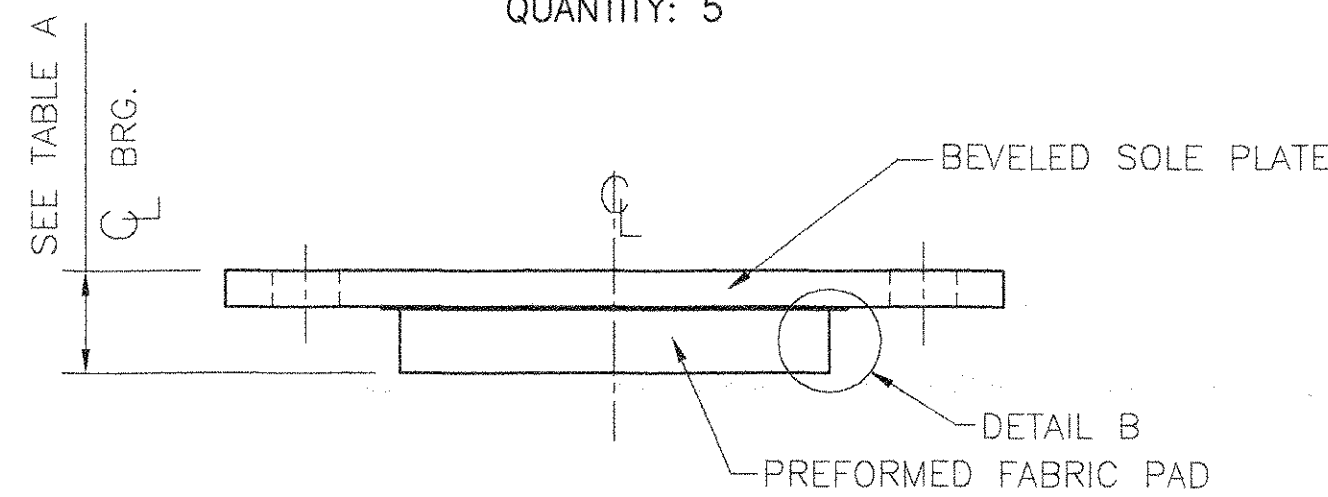


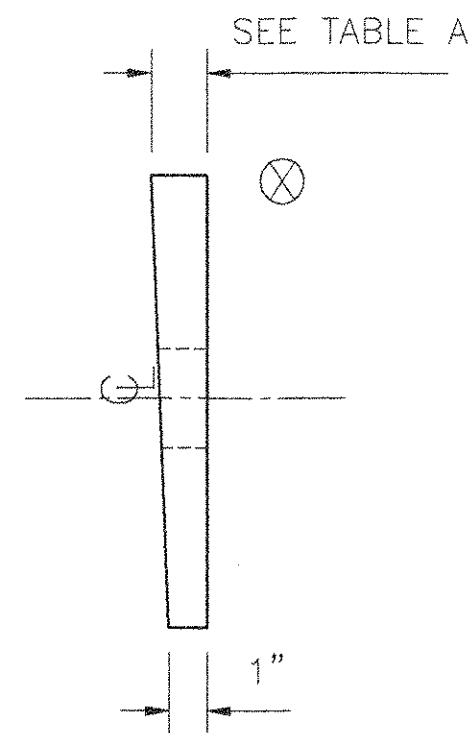
PLAN

EXPANSION PREFORMED FABRIC PAD BEARING  
LOCATION: B6-B10  
QUANTITY: 5



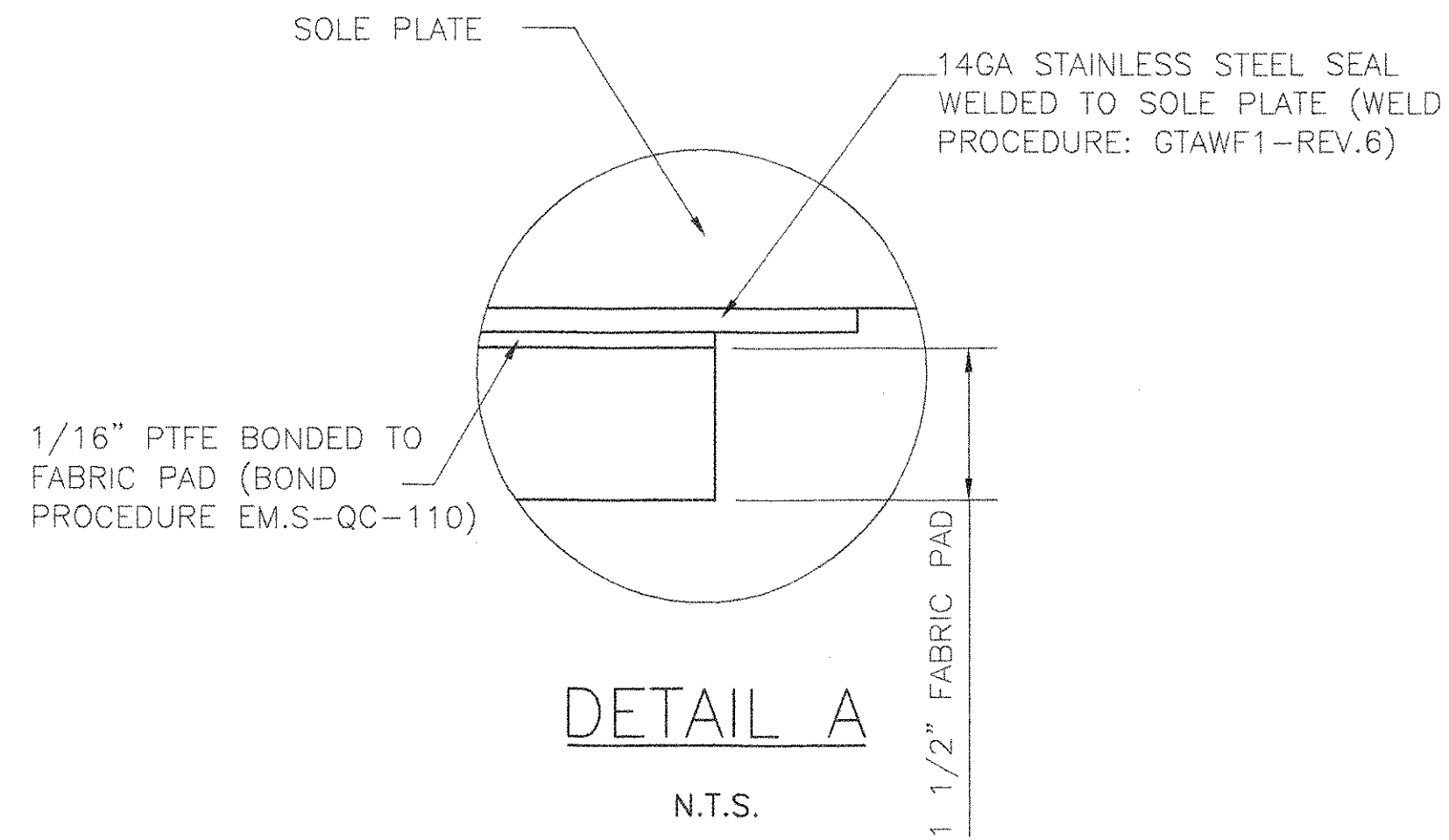
FRONT ELEVATION

LOCATION: B6-B10



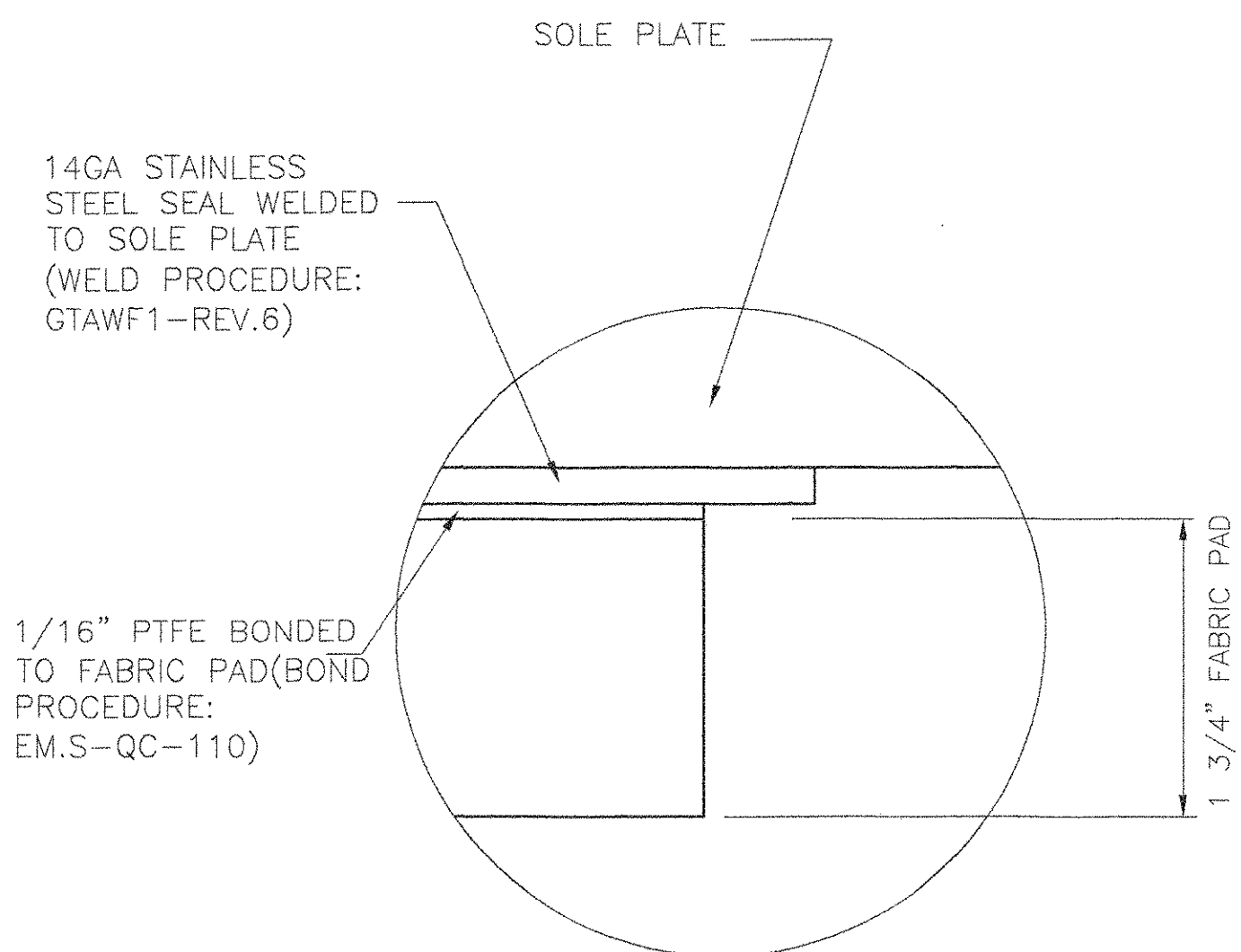
SIDE ELEVATION

SOLE PLATE ONLY  
LOCATION: B6-B10



DETAIL A

N.T.S.

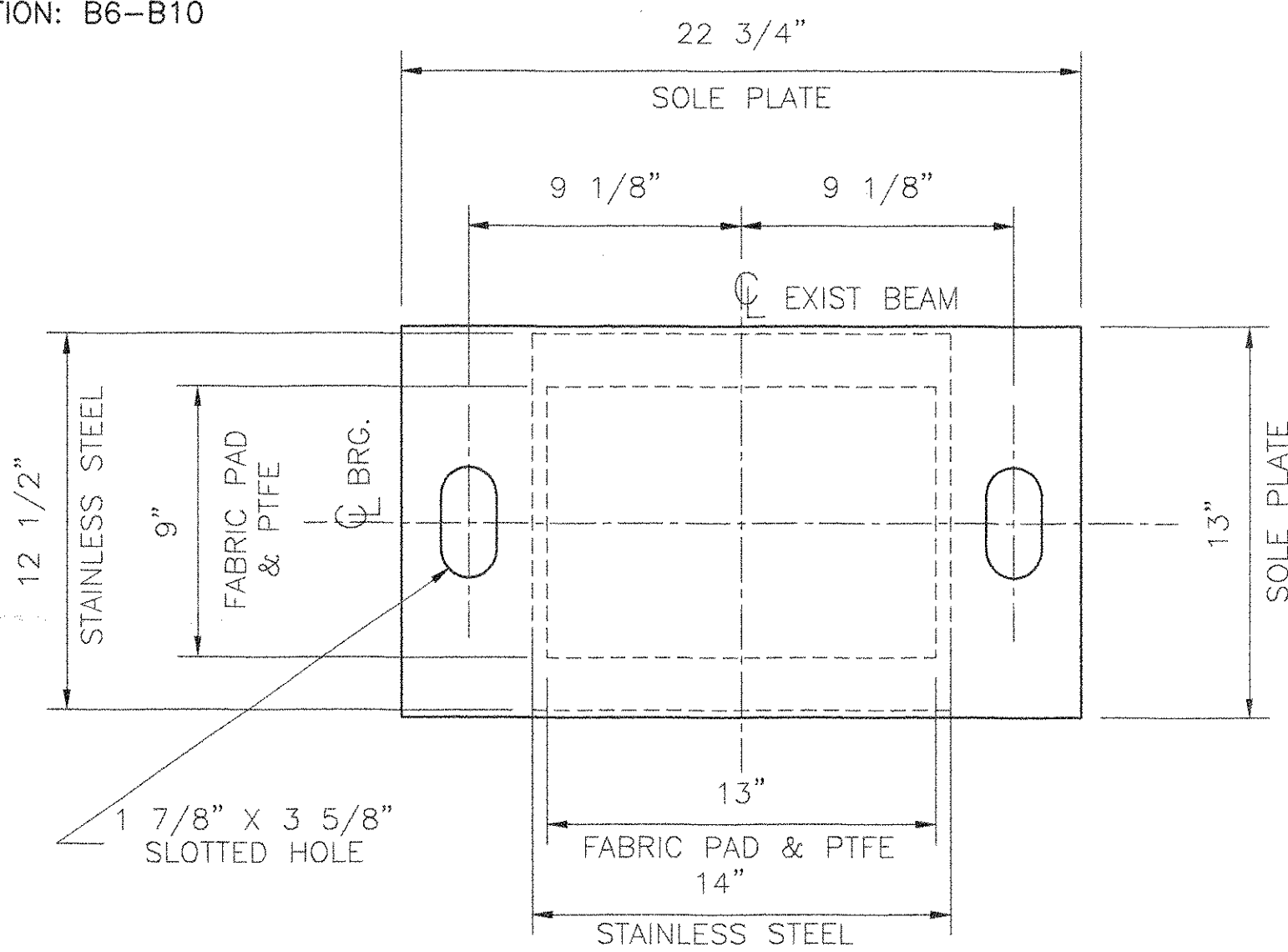


DETAIL B

N.T.S.

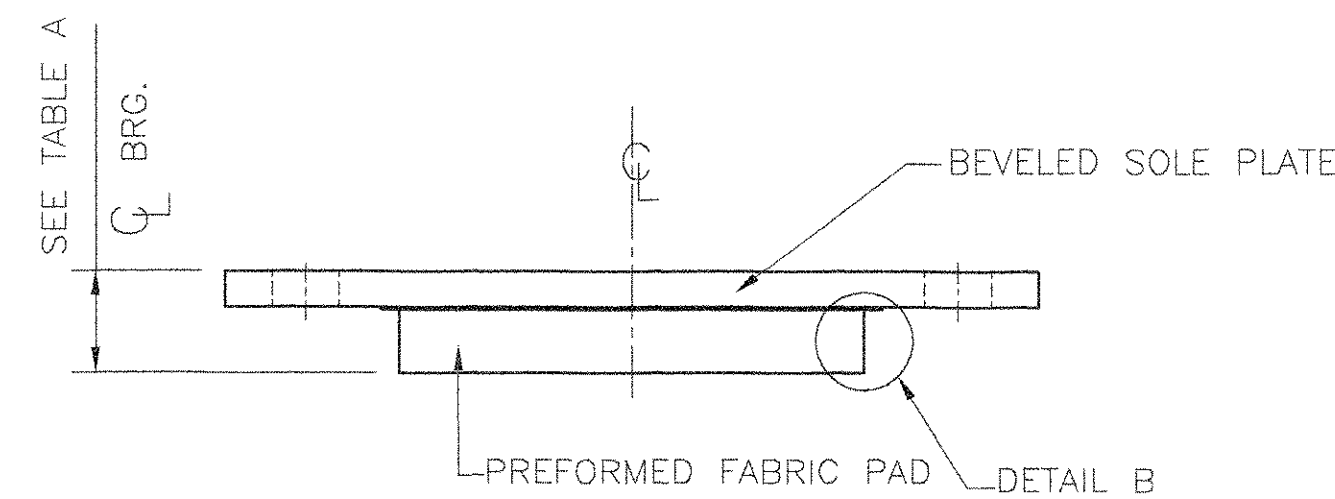
14GA STAINLESS STEEL SEAL WELDED TO SOLE PLATE (WELD PROCEDURE: GTAWF1-REV.6)

1/16" PTFE BONDED TO FABRIC PAD (BOND PROCEDURE: EM.S-QC-110)



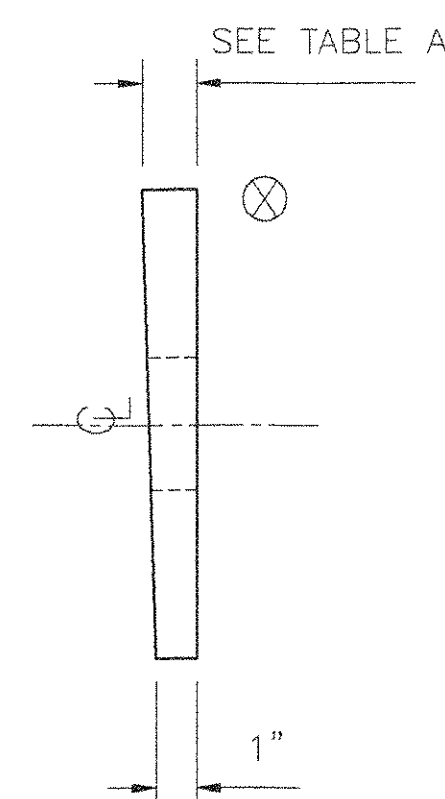
PLAN

EXPANSION PREFORMED FABRIC PAD BEARING  
LOCATION: B11-B15  
QUANTITY: 5



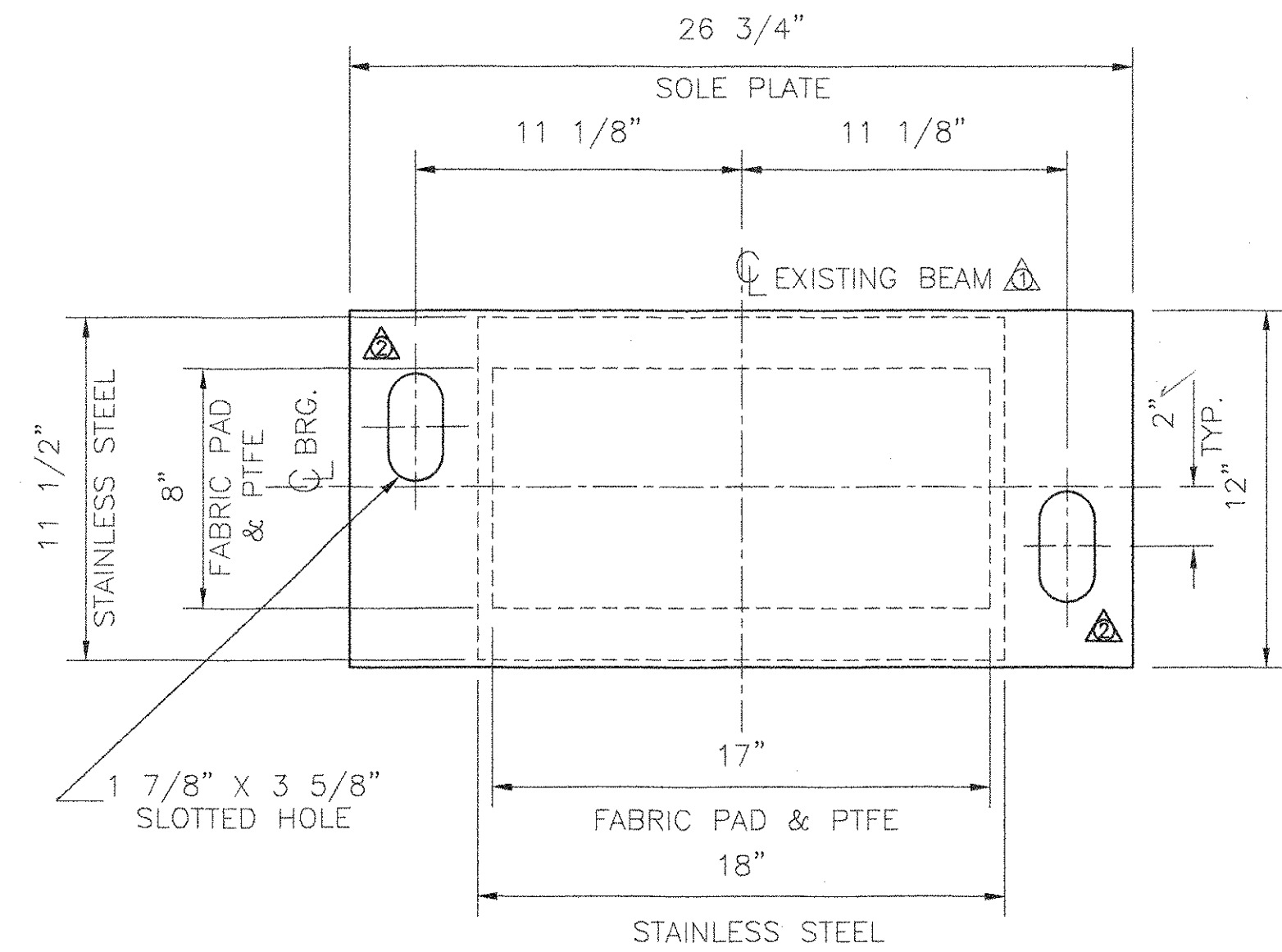
FRONT ELEVATION

LOCATION: B11-B15



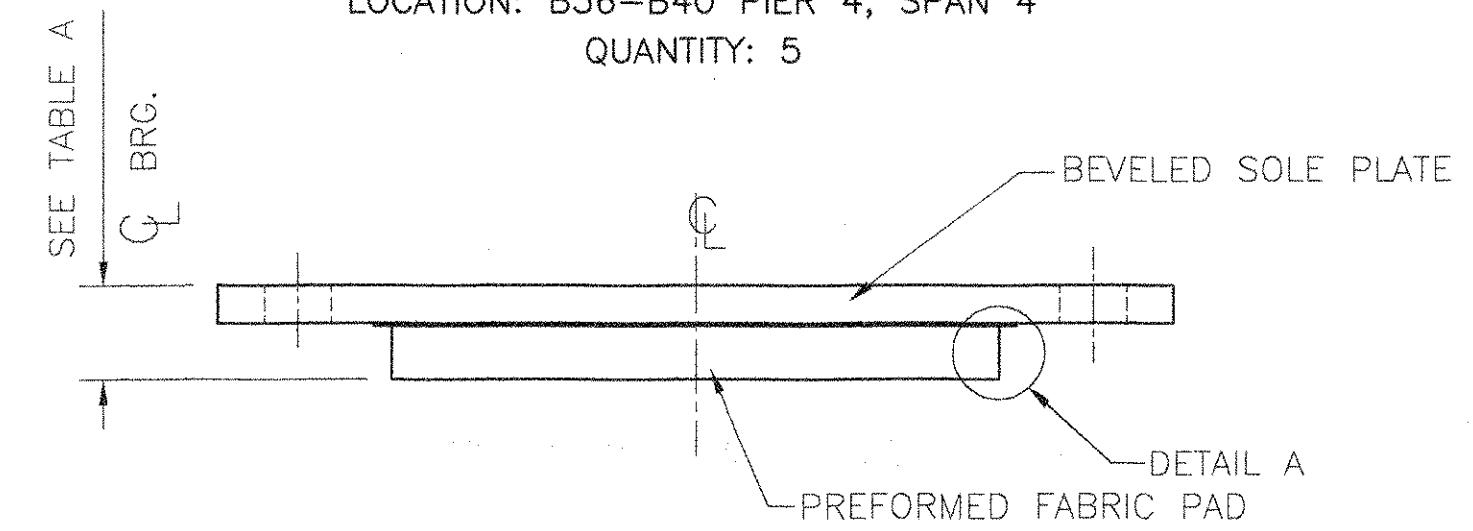
SIDE ELEVATION

SOLE PLATE ONLY  
LOCATION: B11-B15



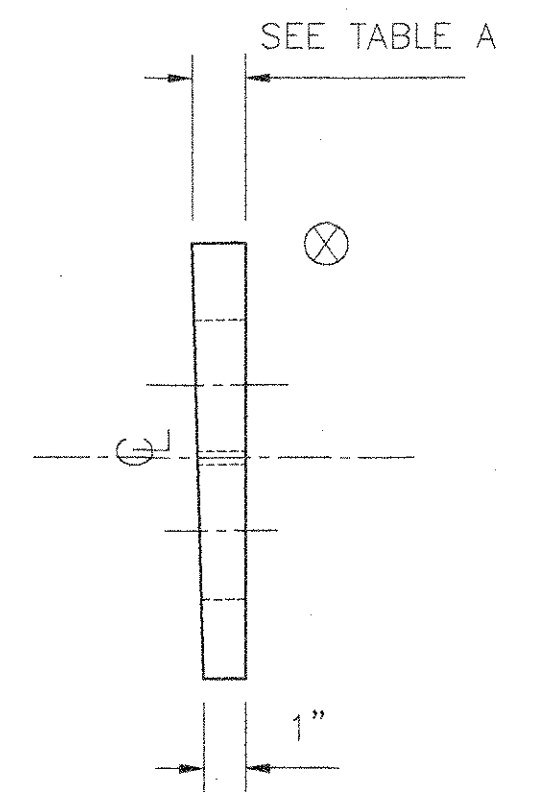
PLAN

EXPANSION PREFORMED FABRIC PAD BEARING  
LOCATION: B36-B40 PIER 4, SPAN 4  
QUANTITY: 5



FRONT ELEVATION

LOCATION: B36-B40



SIDE ELEVATION

SOLE PLATE ONLY  
LOCATION: B36-B40

- NOTES:  
1. SEE SHEET 1  
2. TABLE A LOCATED ON SHEET 1

REVIEW STATUS		CONTRACTOR ACTION	
APPROVED	APPROVED AS REVISED	NONE	CONFIRM
REJECTED		RESUBMIT	

REVIEW IS FOR GENERAL CONFORMANCE WITH THE DESIGN CONCEPT AND CONTRACT DOCUMENTS. MARKINGS OF COMMENTS SHALL NOT BE CONSTRUED AS RELIEVING THE CONTRACTOR FROM COMPLIANCE WITH THE PROJECT PLANS AND SPECIFICATIONS. THE CONTRACTOR REMAINS RESPONSIBLE FOR DETAILS. THE CONTRACTOR SHALL BE RESPONSIBLE FOR SELECTING FABRICATION PROCESSES FOR PERFORMING HIS WORK IN A SAFE MANNER.

DATE: 6/29/03

STATE OF VERMONT  
AGENCY OF TRANSPORTATION  
PROJECT NO. IM 091-1 (36)  
BRIDGE 38  
HIGHWAY NO. 1-91  
TOWN OF HARTLAND  
SHEET 3 OF 3

COSMEC, INC. 70 SOUTH STREET WALPOLE, MA. 02081

SCALE: 3/16"=1" DRAWN BY: MK CHECK BY: RFC

DATE: 6/17/03 DATE: 6/30/03

PREFORMED FABRIC PAD BEARINGS

S.O. NUMBER 59856 DRAWING NUMBER 3899

CUSTOMER FRANK W. WHITCOMB REV. 2

REV.	DATE	CHECKED	DATE	BY	DATE	CHECKED	DATE
1	7/22/03	MCM	7/22/03	MK	7/22/03		
2	7/15/03	NH	7/15/03	MK	7/15/03		