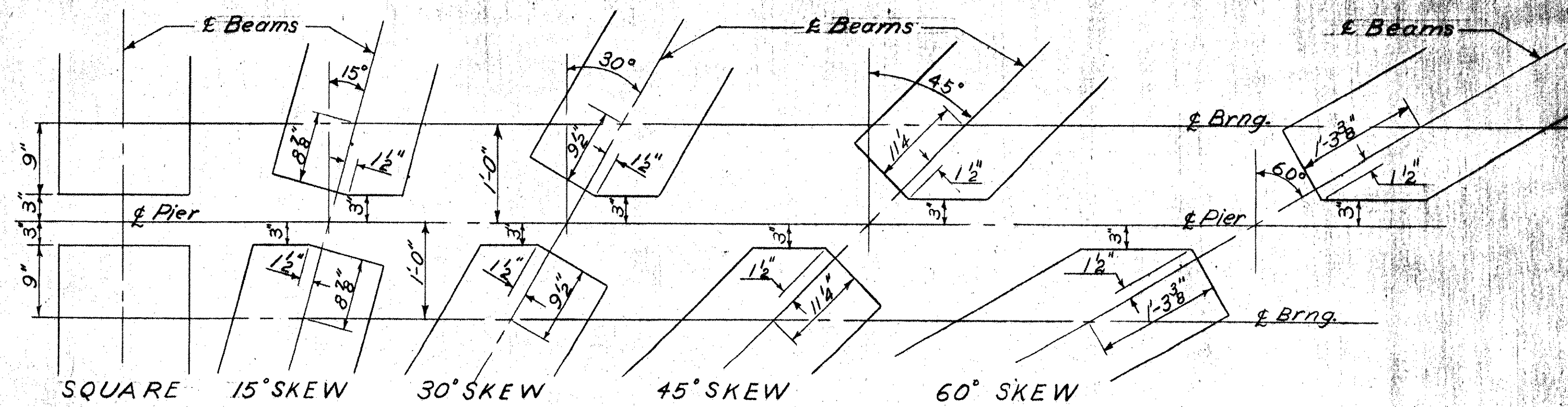
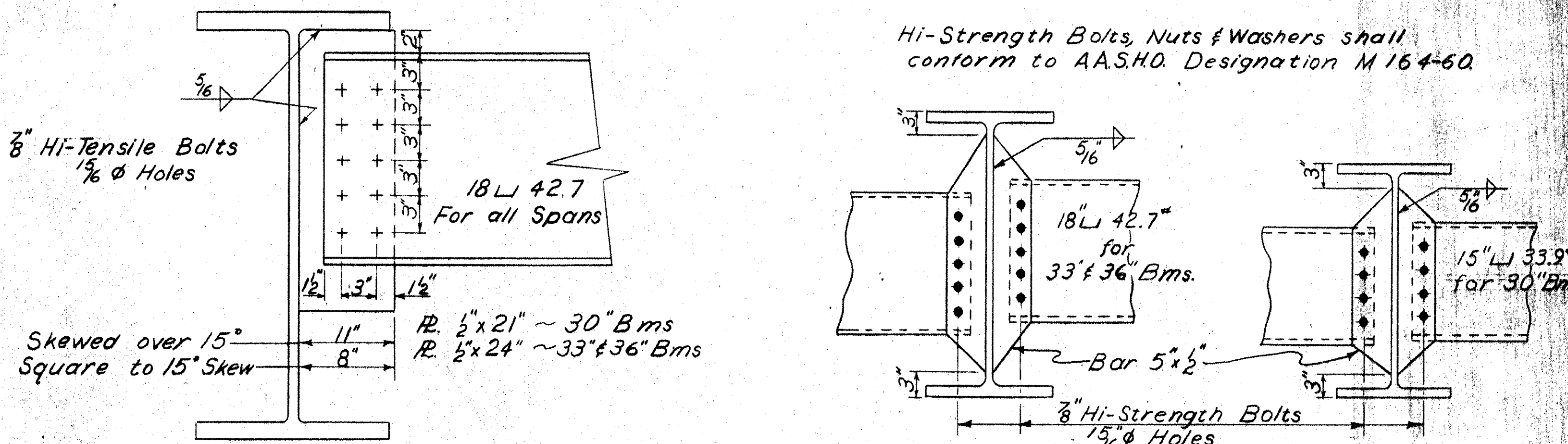


DETAILS OF PIER DIAPHRAGM CONNECTIONS

SKEW Δ	X	Y
20°	1"	1/2"
25°	1 1/2"	3/4"
30°	1 3/4"	1"
35°	2"	1 1/4"
40°	2 1/2"	1 3/4"
45°	3"	2"
50°	3 1/2"	2 1/4"
55°	4 1/4"	3"
60°	5 1/4"	4"



INTERIOR W BEAM CUT-OFFS AT PIER



PIER DIAPHRAGMS

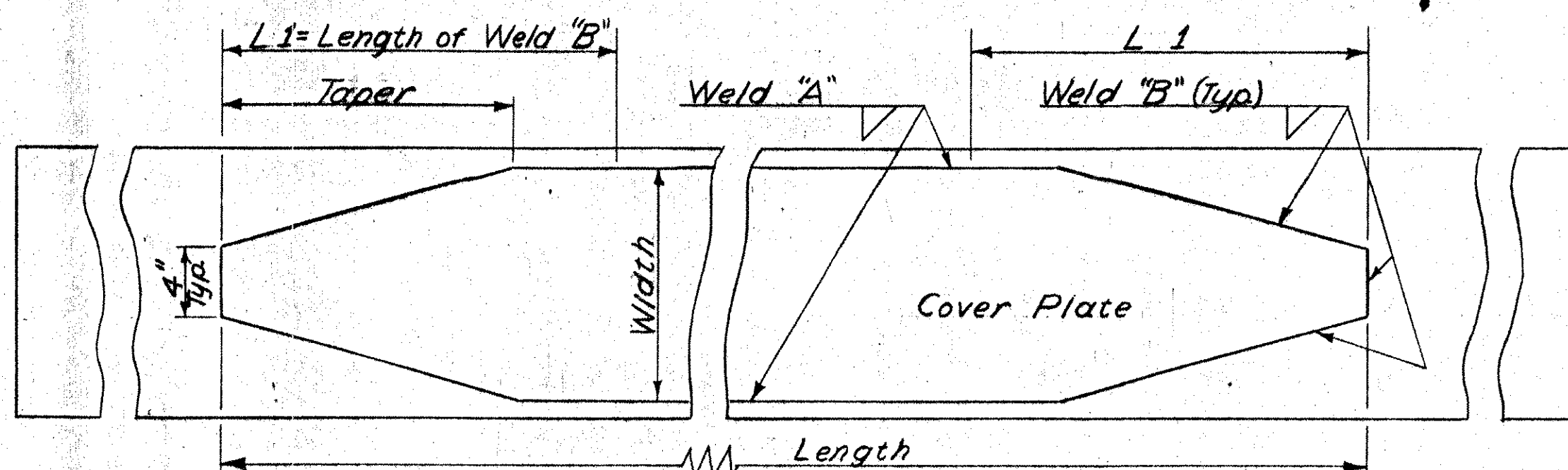
INTERMEDIATE DIAPHRAGMS

Max. Design 7'-6" Bm. Spacing - S.C.B. - 24, 30, 38, 44-62

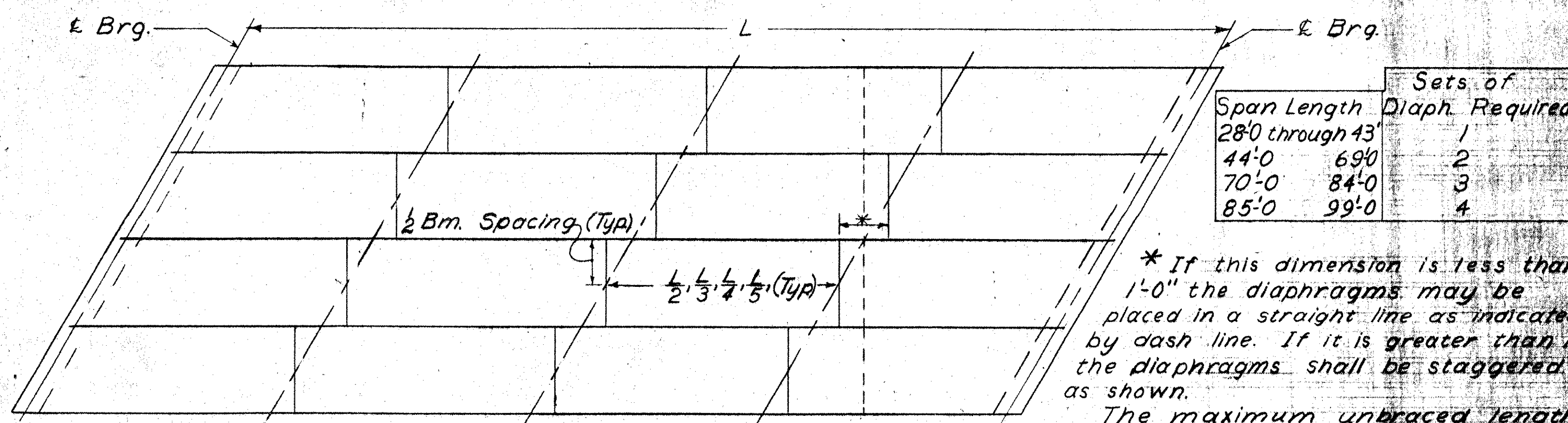
SPAN	COVER PLATE LENGTH	WIDTH	THICKNESS	TAPER	WELD "A"	WELD "B"	L 1
99'-0"	66'-7"	14"	1 1/2"	1'-6"	3/8"	1/2"	3'-5 1/2"
94'-0"	65'-7"	14"	1 1/2"	1'-6"	3/8"	1/2"	3'-5 1/2"
89'-0"	59'-5"	14"	1 1/2"	1'-6"	3/8"	1/2"	2'-10"
84'-0"	49'-5"	14"	1 1/2"	1'-6"	3/8"	1/2"	1'-11"
79'-0"	49'-10"	10"	1 1/2"	1'-0"	3/8"	1/2"	2'-0"
74'-0"	47'-1"	10"	1 1/2"	1'-0"	3/8"	1/2"	1'-9 1/2"
69'-0"	45'-9"	10"	1"	1'-0"	3/8"	3/8"	---
64'-0"	42'-5"	10"	3/8"	1'-0"	3/8"	3/8"	---
59'-0"	31'-11"	10"	3/8"	1'-0"	3/8"	3/8"	---
54'-0"	27'-1"	8"	3/8"	1'-0"	3/8"	3/8"	---

Max. Design 7'-0" Bm. Spacing S.C.B. - 42-62

COVER PLATE LENGTH	WIDTH	THICKNESS	TAPER	WELD "A"	WELD "B"	L 1
67'-5"	14"	1 1/2"	1'-6"	3/8"	1/2"	3'-5"
64'-7"	14"	1 3/8"	1'-6"	3/8"	1/2"	3'-5 1/2"
54'-9"	14"	1"	1'-6"	3/8"	1/2"	2'-3"
45'-1"	14"	5/8"	1'-6"	3/8"	3/8"	---
48'-11"	10"	1 1/8"	1'-0"	3/8"	1/2"	1'-9 1/2"
48'-1"	10"	1"	1'-0"	3/8"	3/8"	---
41'-3"	10"	3/4"	1'-0"	3/8"	3/8"	---
37'-8"	10"	3/8"	1'-0"	3/8"	3/8"	---
29'-1"	8"	3/8"	1'-0"	3/8"	3/8"	---
27'-1"	8"	1/2"	1'-0"	3/8"	3/8"	---



COVER PLATE DETAILS



DIAPHRAGM LOCATION PLAN

* If this dimension is less than 1'-0" the diaphragms may be placed in a straight line as indicated by dash line. If it is greater than 1'-0" the diaphragms shall be staggered as shown. The maximum unbraced length of beam in all cases shall be 25'-0"

REVISIONS & CORRECTIONS
 Added size of Diaphragms on Detail "D" 6/2/63 *

Drawn By: * Date: Dec 1, 1962
 Traced By: * Date: Dec 1, 1962
 Checked By: EEP, WMS, RSH Date: Dec 1, 1962
 Recommended: LMB, Jov... 12/1/62
 For Approval: Bridge Engineer Date
 Recommended: R. H. ... 1/4/63
 For Approval: Assist. Chief Engineer Date
 Approved By: R. D. ... 1/4/63
 Chief Engineer Date

DETAILS OF W BEAM BRIDGES
 STRUCTURAL STEEL DETAILS
 (A) (D) (E) DIAPHRAGM DETAILS
 (B) W BEAM CUT-OFFS
 (C) COVER PLATE DETAILS

VERMONT
 DEPARTMENT OF HIGHWAYS
 STRUCTURE STANDARDS
 SCB-D7-62

THIS SHEET FOR REFERENCE ONLY
 HARTLAND IM 091-1(36)
 I-91 BRIDGE 38
 SHEET 84 OF 85