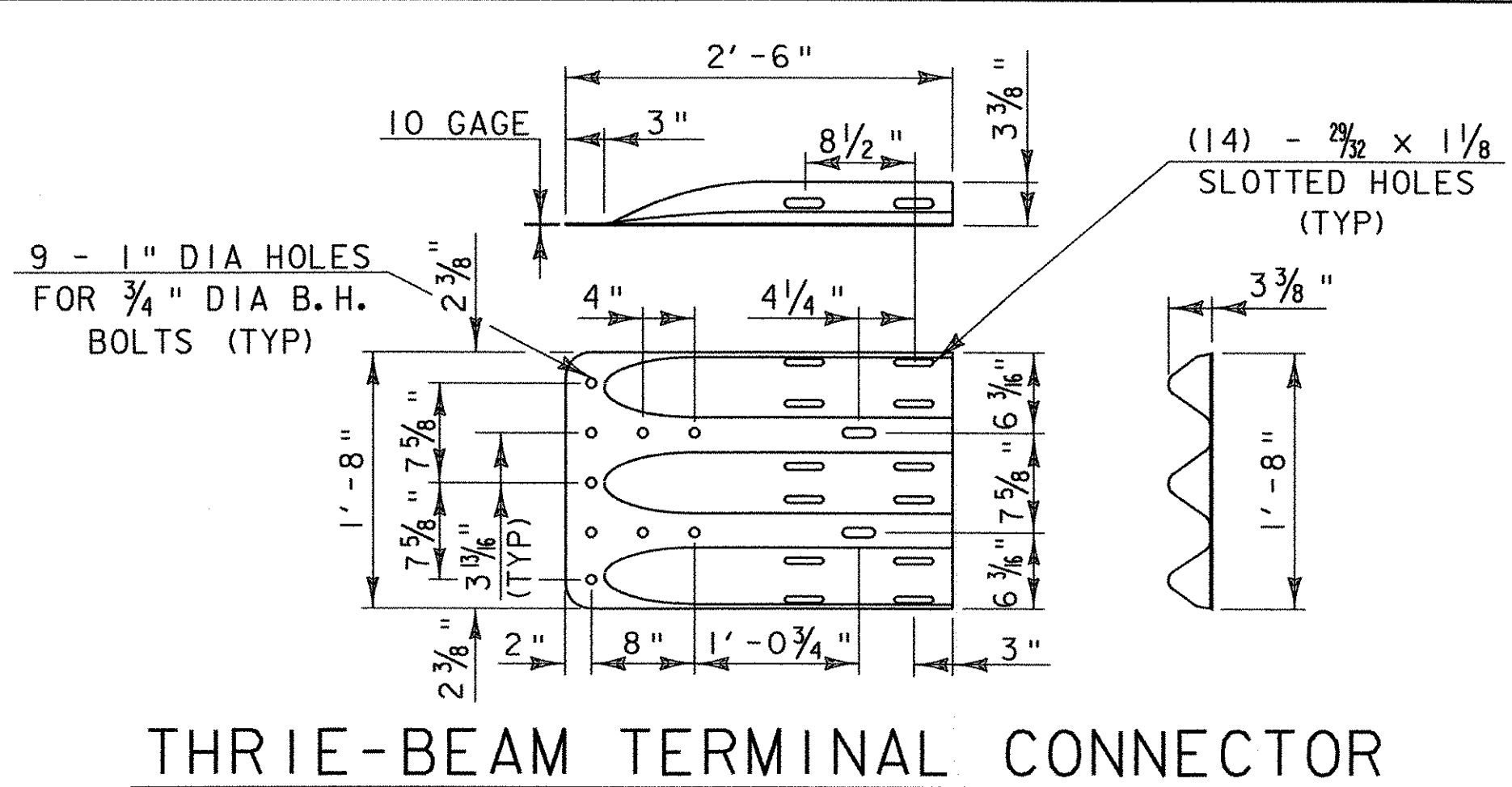
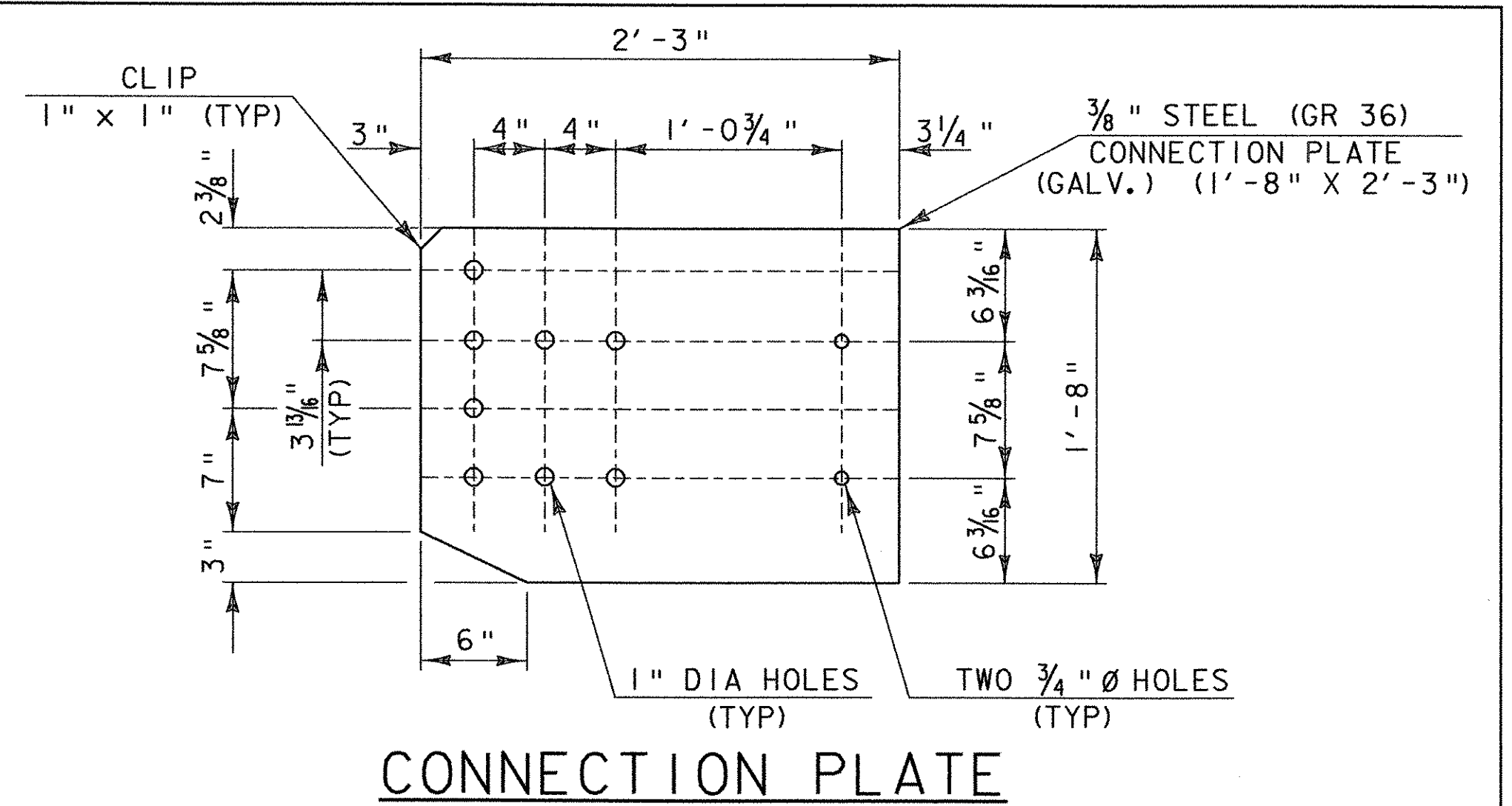


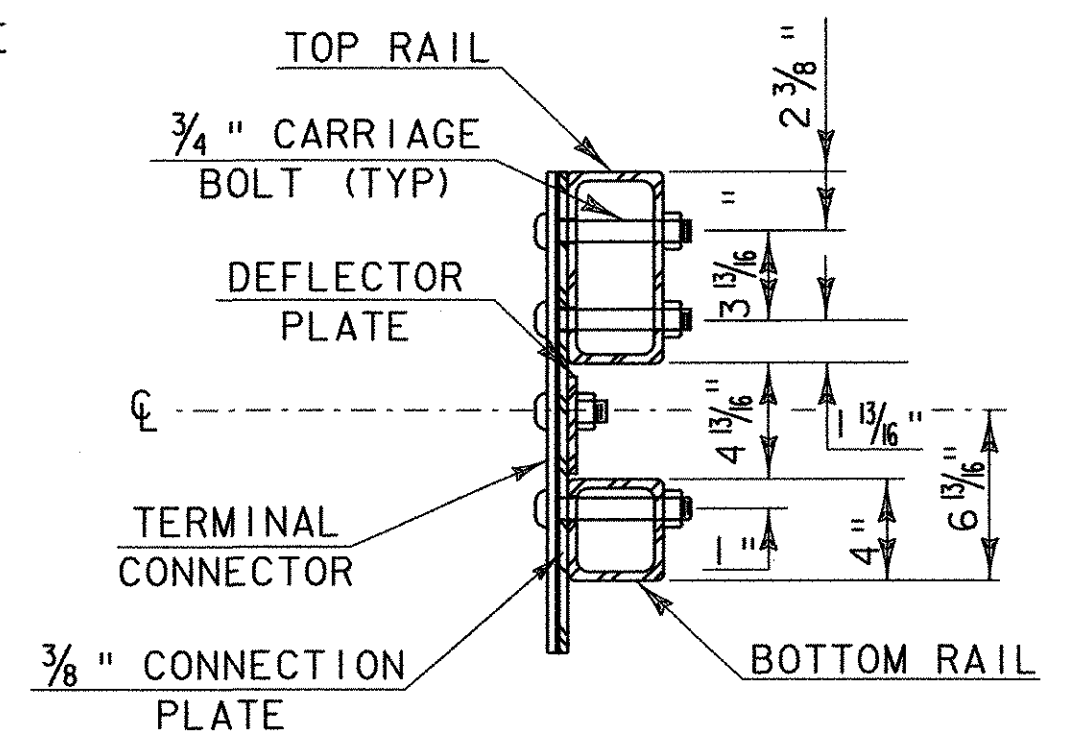
WOOD POST-RAIL ASSEMBLY



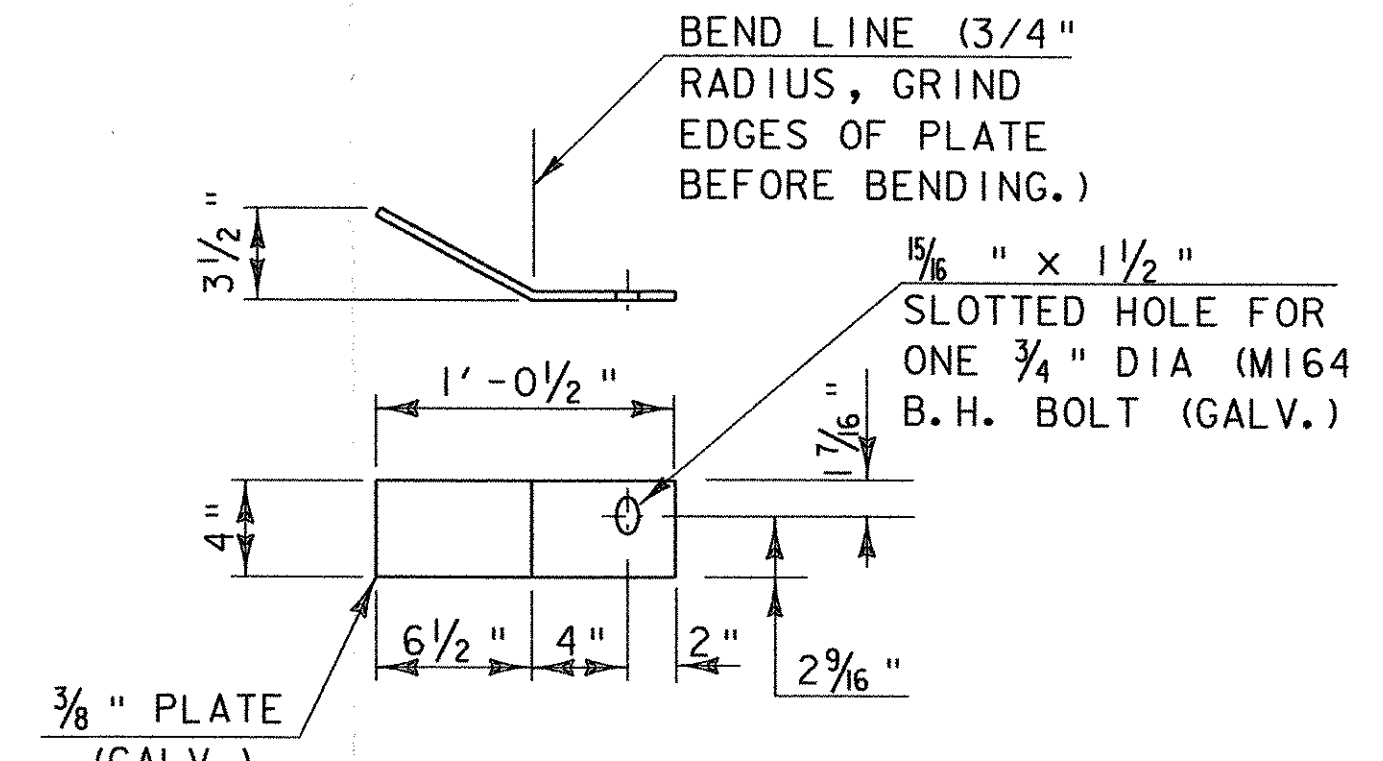
THREE-BEAM TERMINAL CONNECTOR



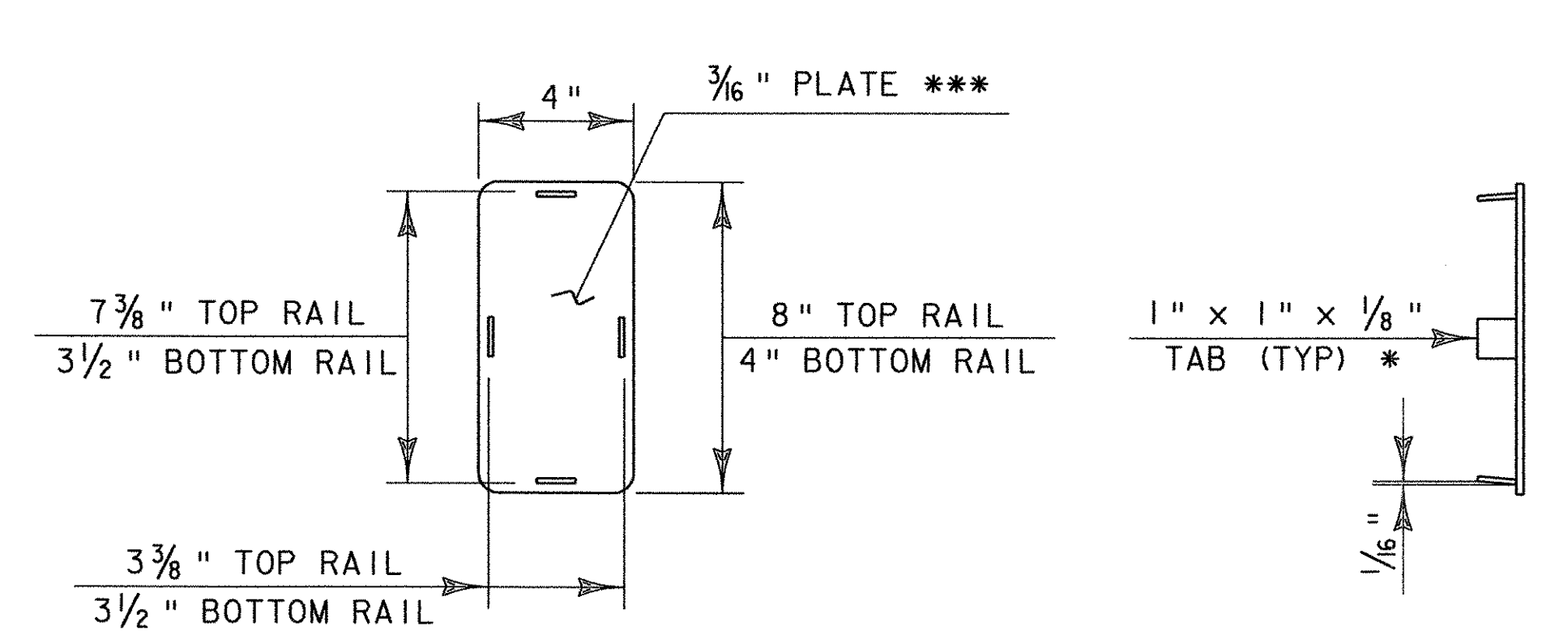
CONNECTION PLATE



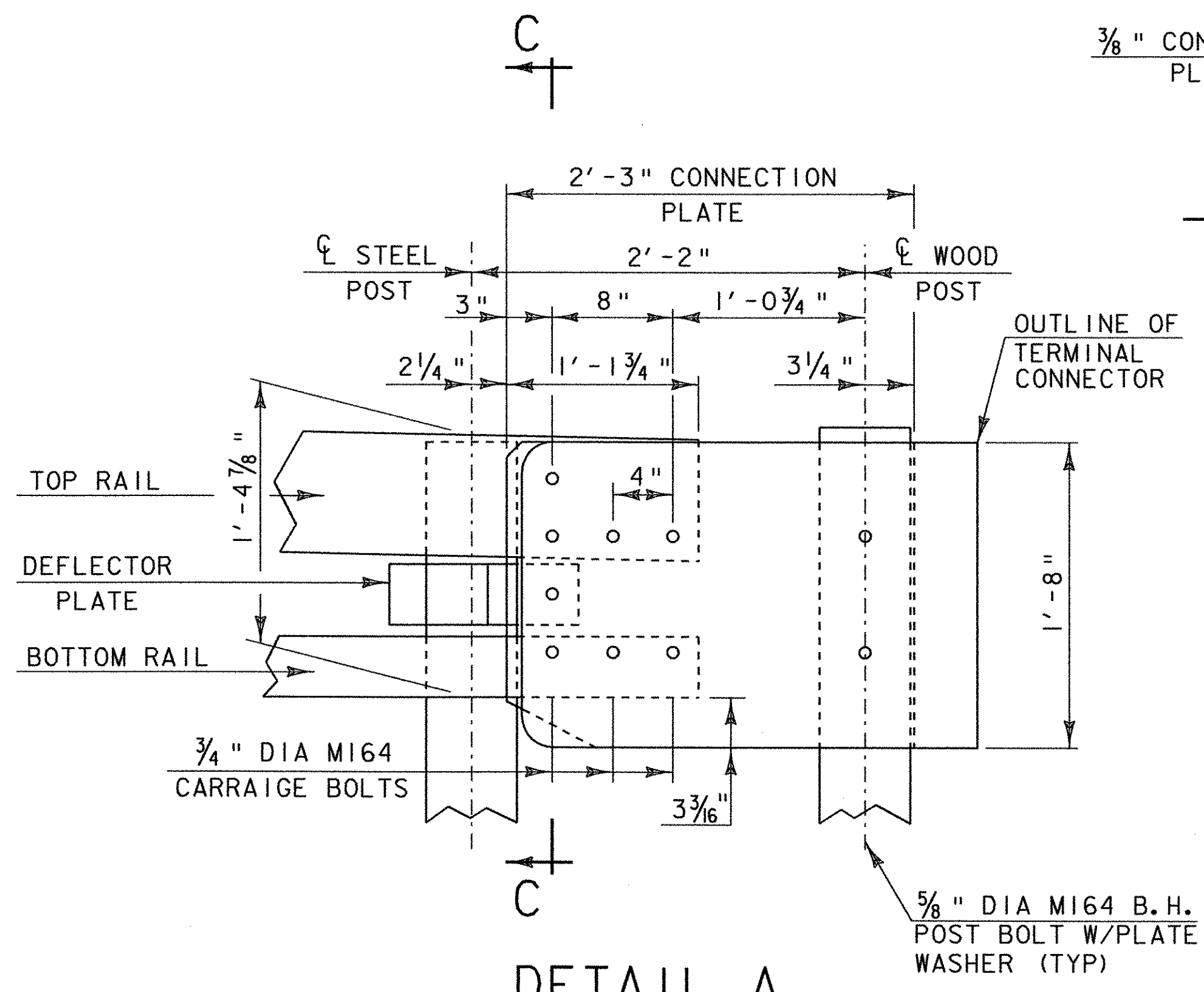
SECTION C-C (CONNECTION PLATE)



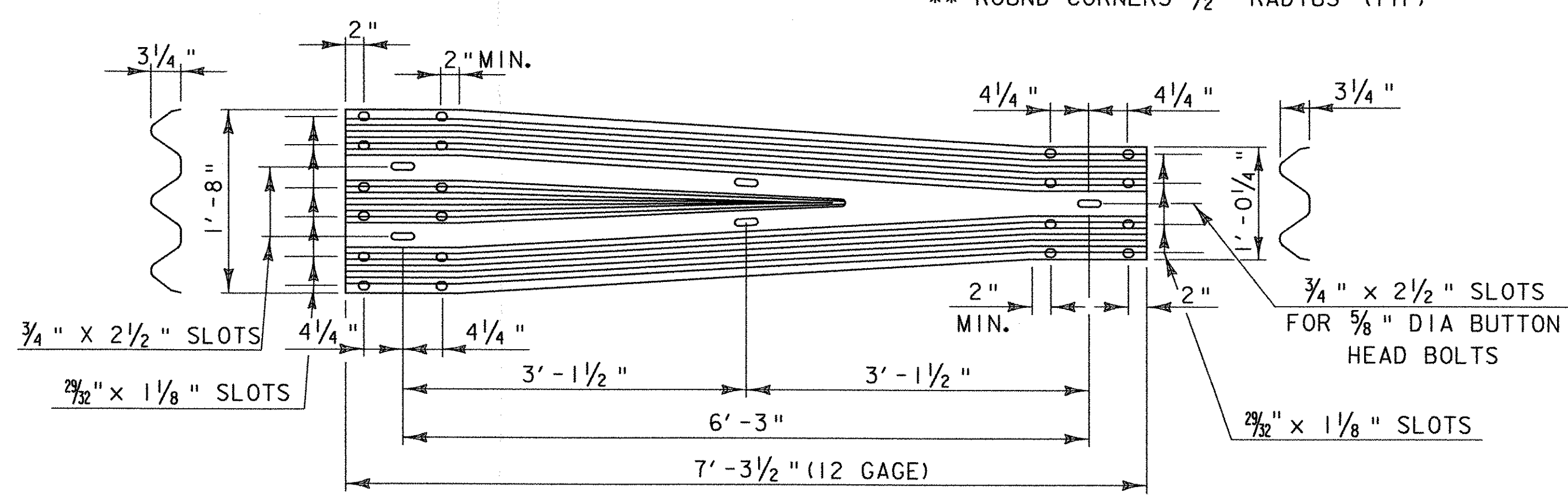
DEFLECTOR PLATE DETAIL



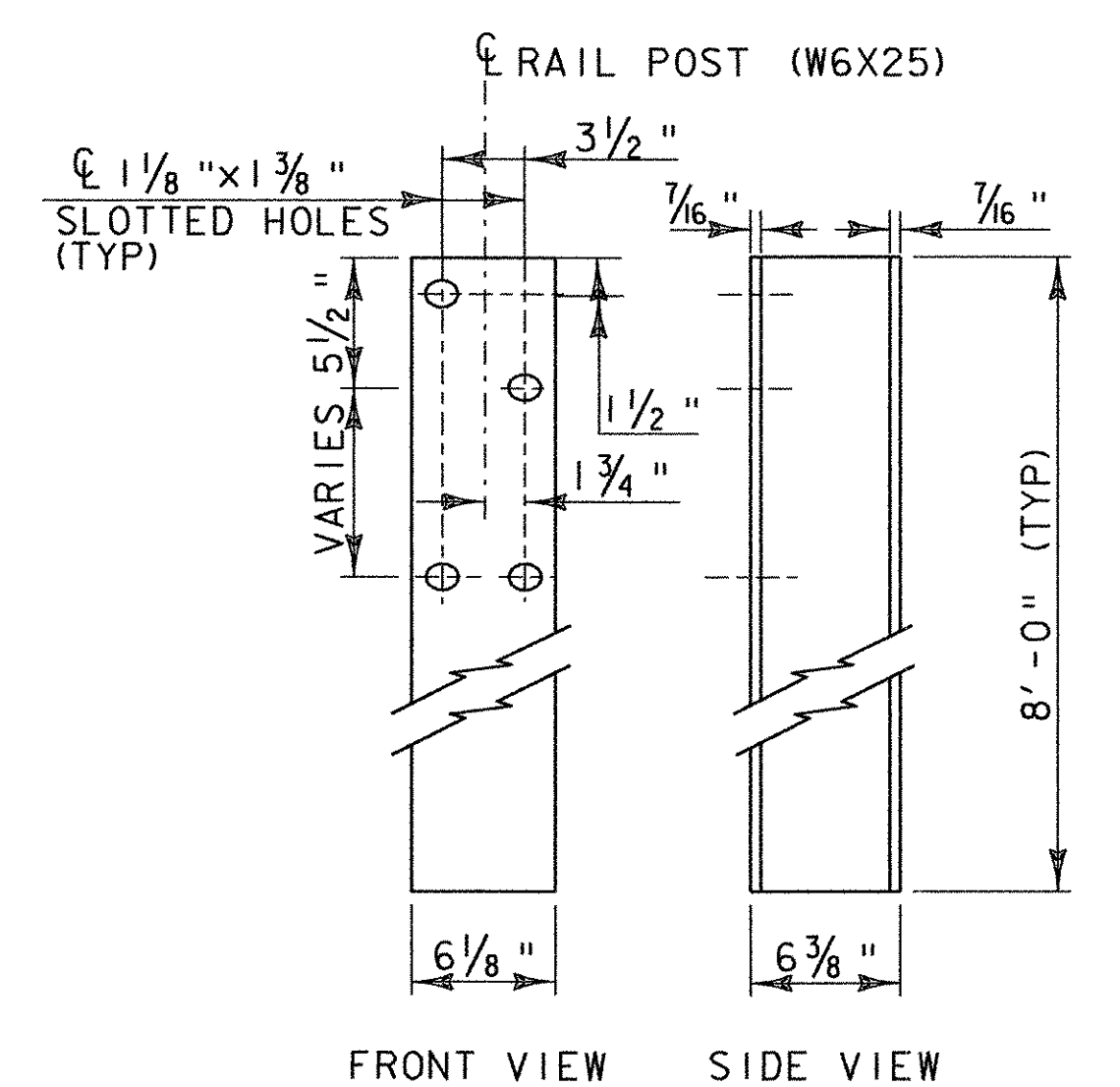
END CAP DETAIL



DETAIL A

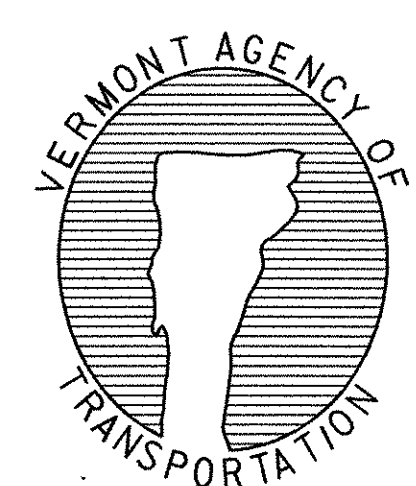


THREE-BEAM TO STD SB TRANSITION SECTION



RAIL POST

**BRIDGE RAILING - NETC 2 RAIL
- THREE BEAM APPROACH RAIL**



DETAIL BR 3
HARTLAND IM091-1(36)
I-91 BRIDGE 38
PROJECT SHEET 38A of 85