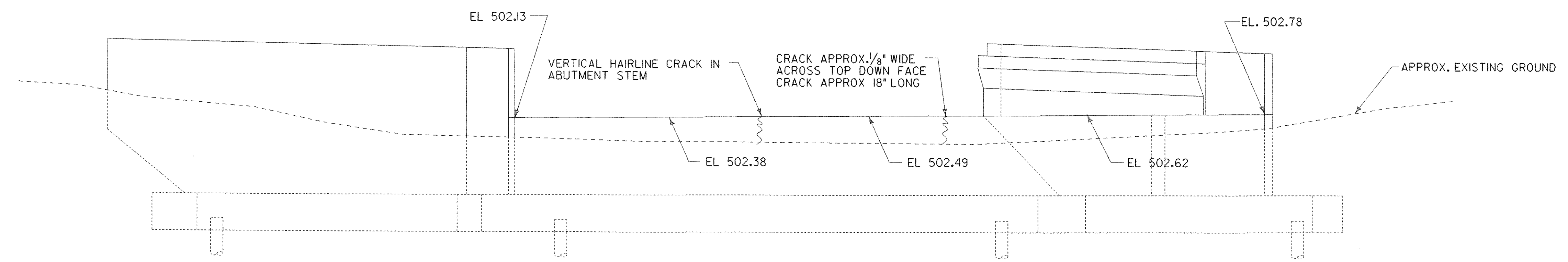
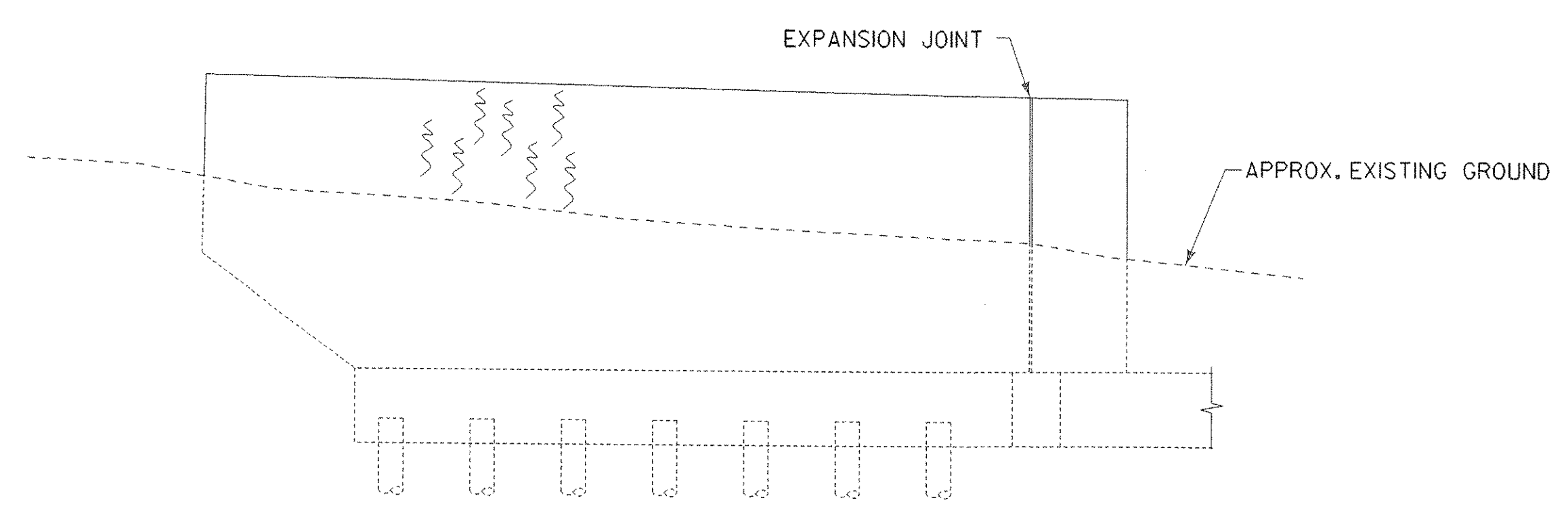


ABUTMENT 2 PLAN

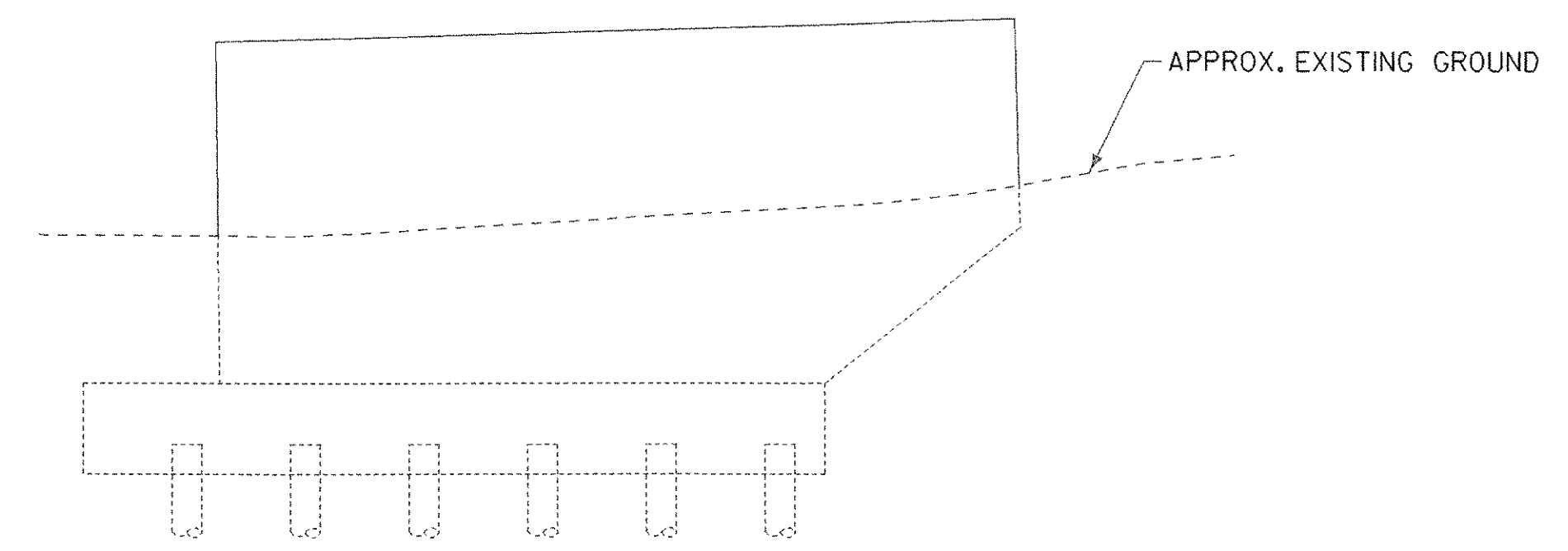
NOTES:
 1. ELEVATIONS ARE REFERENCE ELEVATIONS BASED ON SURVEY DATA.



ABUTMENT 2 ELEVATION



VIEW A-A



VIEW B-B

- LEGEND:**
- SPALL
 - DELANIMATION
 - SURFACE CRACK

SCALE 3/16" = 1'-0"
 0 2 4 6 8

STATE OF VERMONT AGENCY OF TRANSPORTATION	
Town Of HARTLAND	Bridge No. 38
Highway No. 1-91	Log Sta. Surv. Sta.
ABUTMENT 2 REPAIR AREAS	
Designed By S. YONGHO	Drawn By N. HERRERA
Checked By S. YONGHO Date DEC. 2000	Bridge Design Supervisor E. JOHNSTON Date
PROJECT HARTLAND	PROJECT NO. IM 091-1(36)
Drawing Name za272ab2.dgn	Bridge Sheet No.
Sheet 30 of 85	

STONE & WEBSTER, INC.

10-DEC-2002 v:\Struc\working\za272ab2.dgn