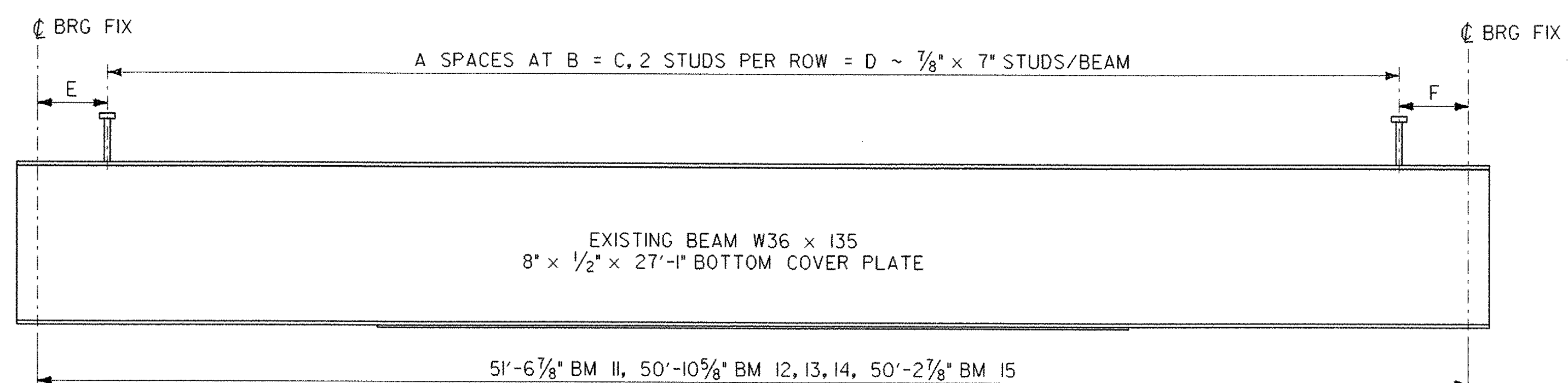
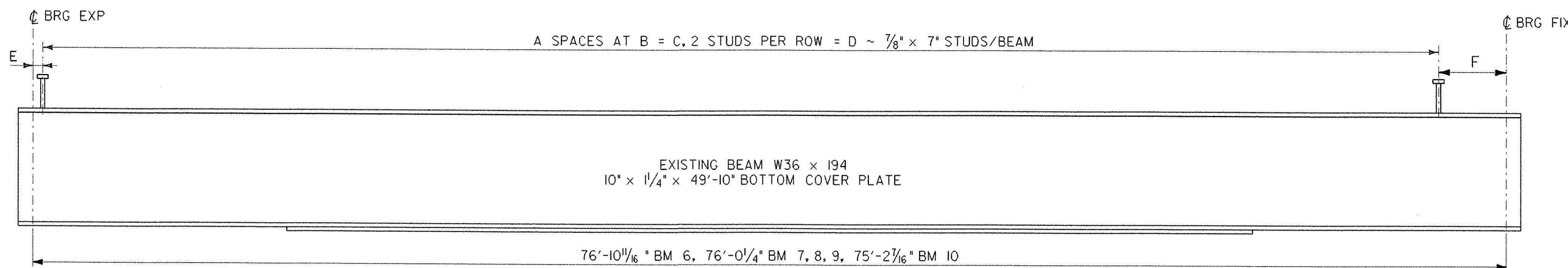


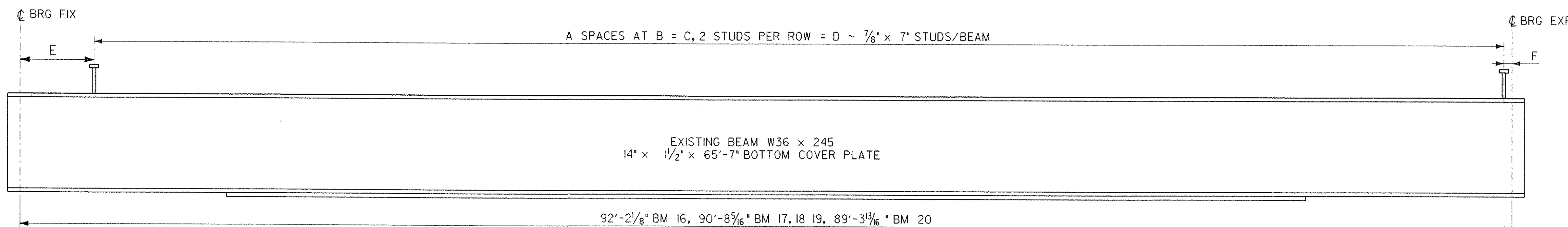
SPAN 1
SCALE: 1/4" = 1'-0" HORIZ
SCALE: 1/2" = 1'-0" VERT



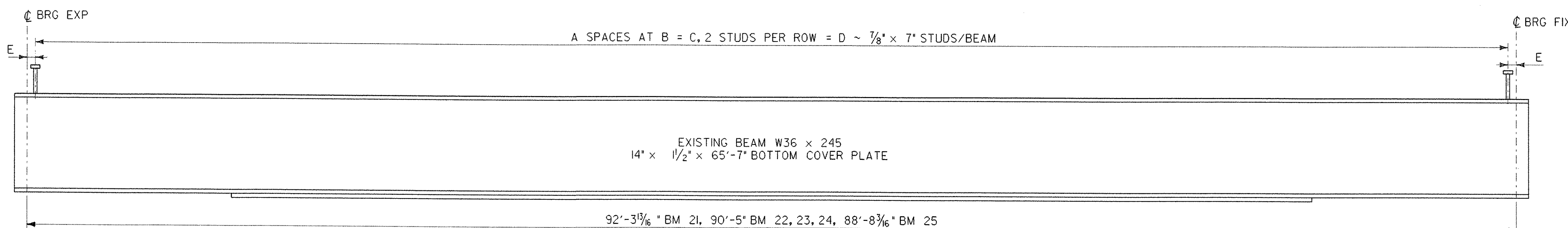
SPAN 3
SCALE: 1/4" = 1'-0" HORIZ
SCALE: 1/2" = 1'-0" VERT



SPAN 2
SCALE: 1/4" = 1'-0" HORIZ
SCALE: 1/2" = 1'-0" VERT



SPAN 4
SCALE: 1/4" = 1'-0" HORIZ
SCALE: 1/2" = 1'-0" VERT

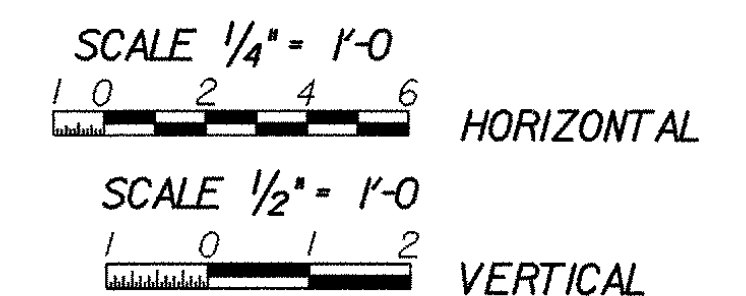


SPAN 5
SCALE: 1/4" = 1'-0" HORIZ
SCALE: 1/2" = 1'-0" VERT

SHEAR STUD SCHEDULE						
BEAM	A	B	C	D	E	F
BM 1	61	10"	50'-10"	124	0'-4 7/8"	-
BM 2, BM 3, BM 4	61	10"	50'-10"	124	0'-1 7/8"	-
BM 5	60	10"	50'-0"	122	0'-4 1/16"	-
BM 6	88	10"	73'-4"	178	0'-0 5/16"	3'-6 5/16"
BM 7, BM 8, BM 9	96	9"	72'-0"	194	0'-3 1/8"	3'-9 1/8"
BM 10	86	10"	71'-8"	174	0'-0 3/16"	3'-6 3/16"
BM 11	62	9"	46'-6"	126	2'-6 3/16"	2'-6 3/16"
BM 12, BM 13, BM 14	61	9"	45'-9"	124	2'-6 9/16"	2'-6 9/16"
BM 15	60	9"	45'-0"	122	2'-7 1/16"	2'-7 1/16"
BM 16	105	10"	87'-6"	212	4'-7 1/16"	0'-1 1/16"
BM 17, BM 18, BM 19	114	9"	85'-6"	230	4'-10 1/8"	0'-4 1/8"
BM 20	101	10"	84'-2"	204	4'-9 3/8"	0'-3 3/8"
BM 21	100	11"	91'-8"	202	0'-3 3/8"	-
BM 22, BM 23, BM 24	108	10"	90'-0"	218	0'-2 1/2"	-
BM 25	96	11"	88'-0"	194	0'-4 1/16"	-

NOTES:

I. FOR HAUNCH AND SHEAR CONNECTOR DETAILS SEE SHEET 18.



**STATE OF VERMONT
AGENCY OF TRANSPORTATION**

Town Of HARTLAND	Bridge No. 38
Highway No. 1-91	Log Sta.
SHEAR STUD CONNECTION & LAYOUT	
Designed By E. JOHNSTON	Drawn By N. HERRERA
Checked By E. JOHNSTON	Bridge Design Supervisor E. JOHNSTON
Date DEC. 2000	Date FEB. 2001
PROJECT HARTLAND	PROJECT NO. IM 091-1(36)
Drawing Name za272scl.dgn	Sheet 22 of 85
Bridge Sheet No.	

STONE & WEBSTER, INC.

10-DEC-2002

v:\Struc\working\za272scl.dgn