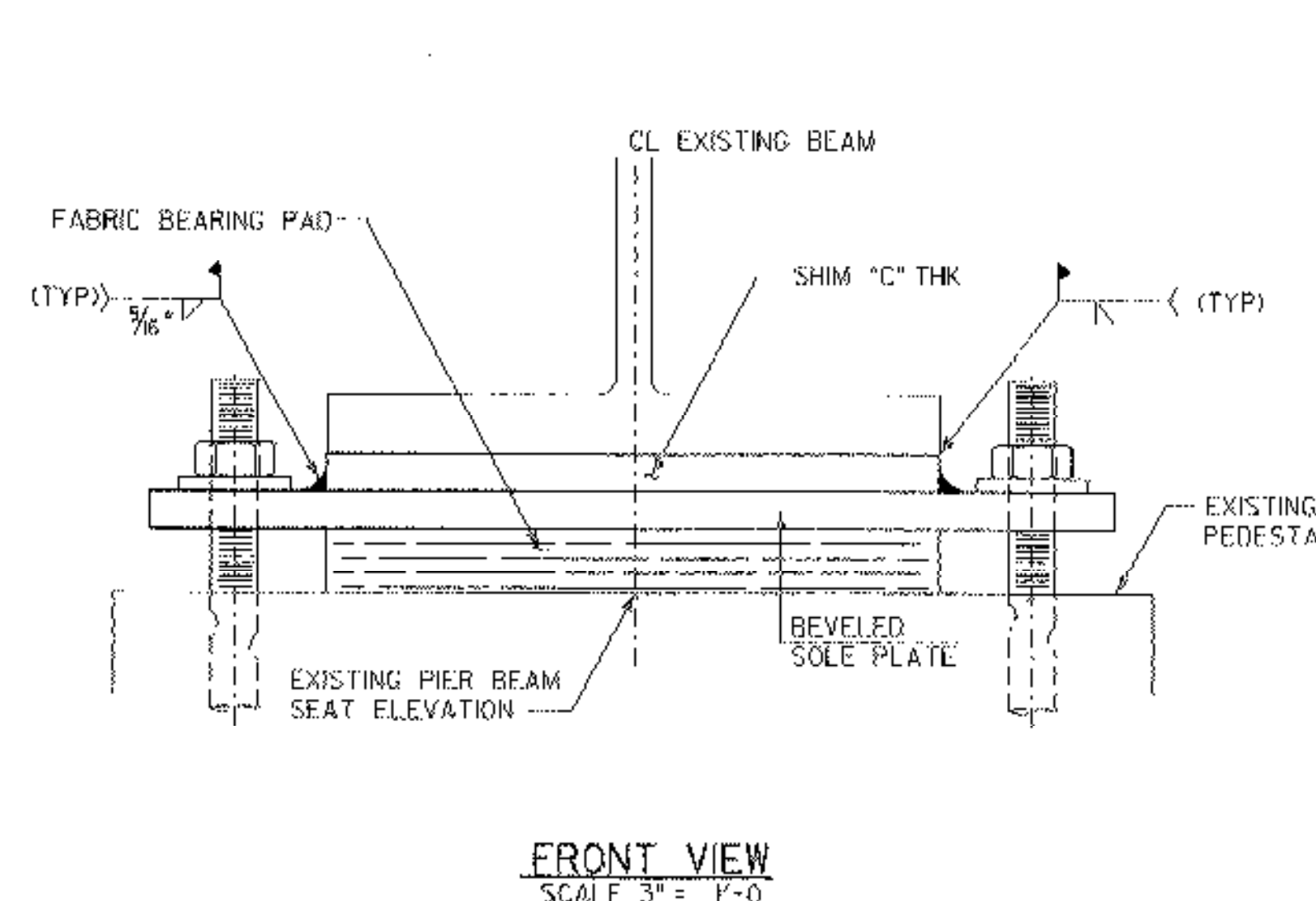
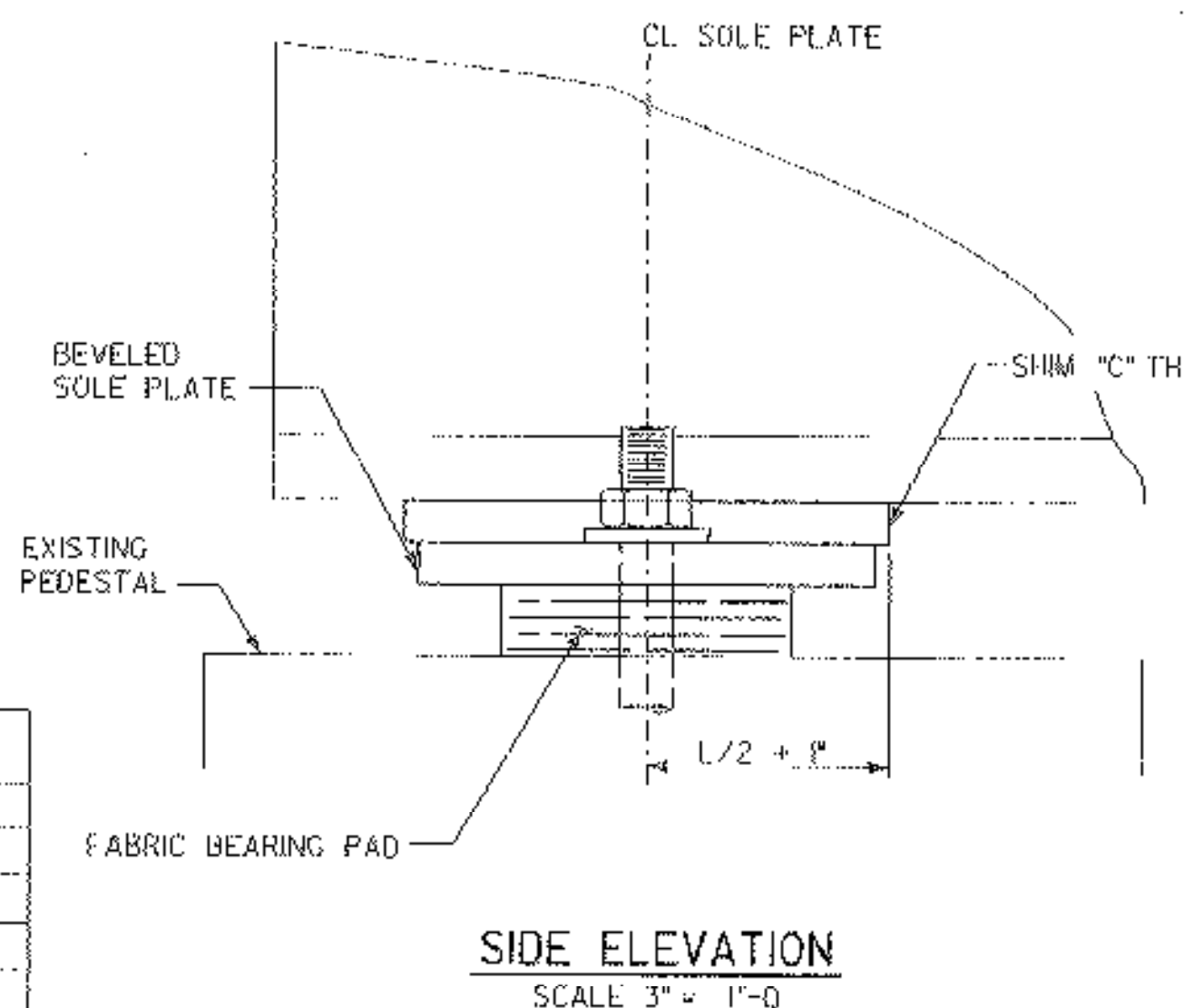
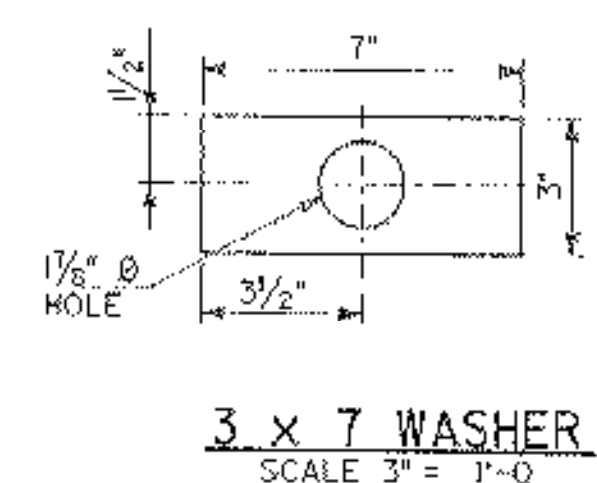
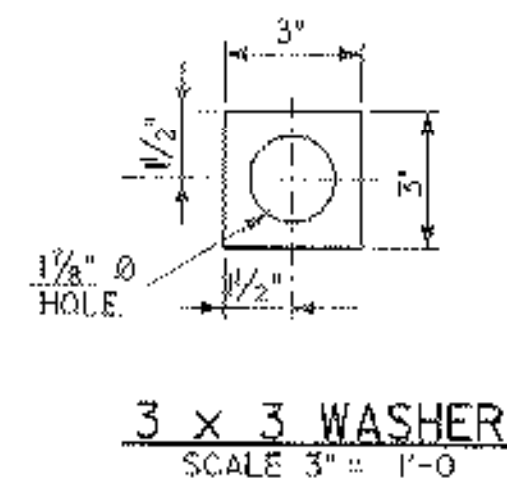


FIXED BEARING AT ABUTMENT

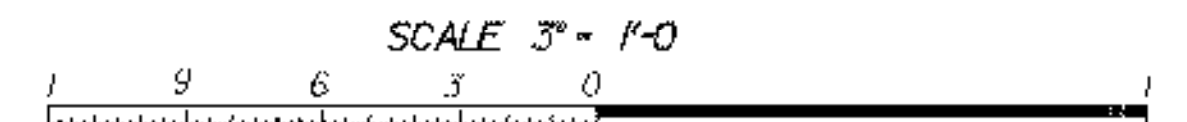
EXPANSION BEARING AT PIER 1 & 4

FIXED BEARINGS AT PIERS



BEARING PAD WITH SHIM
(EXPANSION BEARING SIMILAR)
(REFER TO DETAILS ABOVE FOR INFORMATION NOT PROVIDED)
SEE SHEET 20 FOR THICKNESS OF SHIMS.
BEARING SHIMS TO BE PAID FOR UNDER ITEM 506.60 "STRUCTURAL STEEL (BEARING SHIMS)".

NOTES:
1. REFER TO SHEET 20 FOR NOTES.



"A" OR "B" TABLE

TEMP	SPAN 1		SPAN 2		SPAN 4		SPAN 5	
	A	B	A	B	A	B	A	H
0°F	1/2"	1 3/8"	1 3/8"	1 5/8"	1 5/8"	1 7/8"	1 7/8"	1"
15°F	1 1/8"	1 3/4"	1 3/4"	1 7/8"	1 7/8"	1 9/8"	1 9/8"	1 1/4"
30°F	1 1/4"	1 7/8"	1 7/8"	1 7/8"	1 7/8"	1 7/8"	1 7/8"	1 1/4"
45°F	1 1/2"	1 7/8"	1 7/8"	1 7/8"	1 7/8"	1 7/8"	1 7/8"	1 3/8"
60°F	1 3/4"	1 7/8"	1 7/8"	1 7/8"	1 7/8"	1 7/8"	1 7/8"	1 1/8"
75°F	1 3/4"	1 7/8"	2"	1 7/8"	2"	1 7/8"	1 7/8"	1 1/2"
90°F	1 7/8"	1 7/8"	2 1/8"	1 7/8"	2 3/8"	1 7/8"	2 1/8"	1 1/8"

**STATE OF VERMONT
AGENCY OF TRANSPORTATION**

Town of HARTLAND	Bridge No. 38
Highway No. 1-91	Log Sta. Surv. Sta.
BEARING LAYOUT & DETAILS	
SHEET 2 OF 2	
Designed By E. JOHNSTON	Drawn By N. HERRERA
Checked By Date E. JOHNSTON DEC 2000	Bridge Design Supervisor E. JOHNSTON Date
PROJECT HARTLAND	PROJECT NO. IM 091-1(36)
Drawing Name zo272b12.dgn	Bridge Sheet No. Sheet 21 of 85

STONE & WEBSTER, INC.

20-DEC-2000

F:\Struct\working\zo272b12.dgn